

MODEL : MO-3900/AK101

List No : 1017-02

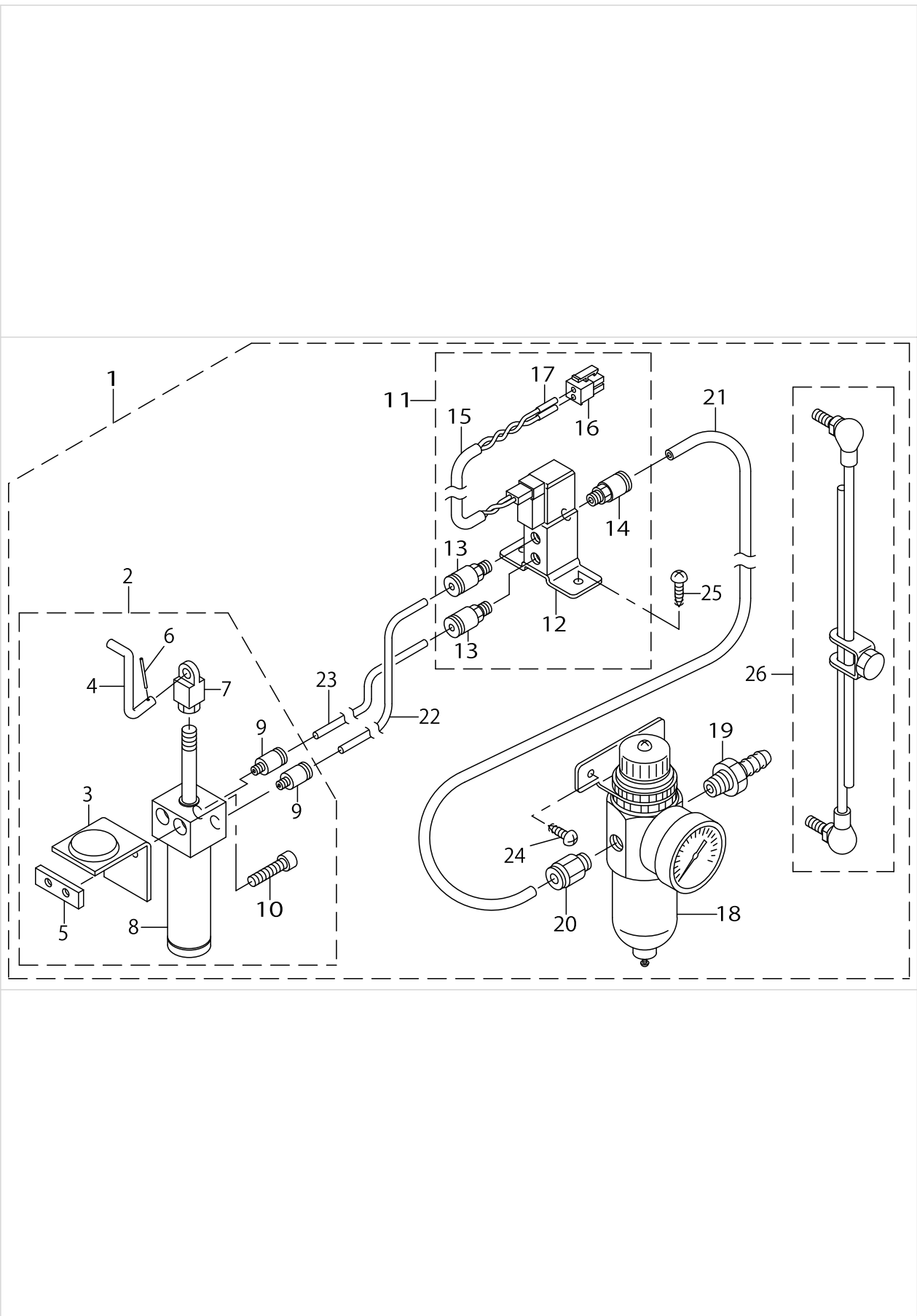
PARTS LIST

Published:05/12/2017

CONTENTS

COMPONENTS	1
HOW TO MAKE USE OF THIS PARTS LIST	3

COMPONENTS



COMPONENTS

No.	Supply Code	Parts No.	Replacement	Parts name	Remarks	Choice	Step	Level	Cons	Qty	Rep. QTY
1		GAKA01000A0		AUTO LIFTER DEVICE (AK-101)						1	
2		GAKA01010A0		CYLINDER ASM.				*		1	
3		GAK32003000		AIR CYLINDER BASE, AK-32				*		1	
4		GAK32004000		AIR CYLINDER CON- NECTING HOOK				*		1	
5		GAK32005000		CYLINDER MOUNTING PLATE				*		1	
6		GAK49003000		CONNECTING HOOK PIN				*		1	
7		GAK52004000		AIR CYLINDER KNUCKLE, AK-32				*		1	
8		PA2002520A0		AIR CYLINDER				*		1	
9		PJ301040504		JOINTING				*		2	
10		SM6062502TP		SCREW M6 L=25				*		2	
11		GAKA01020A0		SOLENOID VALVE ASM.				*		1	
12		PV150518100		SOLENOID VALVE				*		1	
13		PJ301040504		JOINTING				*		2	
14		PJ301060501		UNION				*		1	
15		E8760452F00		TUBE				*		0.5	
16		HK034610020		2-POLE NYLON PLUG				*		1	
17		HK034640000		PIN CONTACT				*		2	
18		PF0552010B0		COMBINATION FR UNIT ASM.				*		1	
19		F1021003000		HOSE JOINT				*		1	
20		GAS12063000		MALE CONNECTOR				*		1	
21		BT0600401EB		TUBE				*		1	
22		BT0400251EB		URETHANE HOSE, BLACK				*		0.8	
23		BT0400251EB		URETHANE HOSE, BLACK				*		0.8	
24		GMD01080000		SCREW M5 L=10				*		2	
25	R	SK3412000SC	SK3412000SE	WOOD SCREW D=4.1 L=20				*		2	1.00
26		22958458		CONNECTING ROD ASM. B				*		1	

HOW TO MAKE USE OF THIS PARTS LIST

1.As to "#01" and "#02" refer to the "Note" given at the bottom of the respective pages.

2.Codes on the "Qty" column

- Each numeral indicates the number of parts required.
- "0.1" and "2.5" indicate the length (in meters) of the respective parts.

3.Parentheses mean that the corresponding part is a subpart that constructs an assembly part.

4.Dotted lines on the Figures indicate assembly parts.

1. リストページの# 0 1、# 0 2の印は、ページ下の"注記"の説明を参照下さい。
2. 数量欄の数字は、個数を表し、0. 1、2. 5等の数値は、長さ（単位メートル）を表します。
3. 数量欄の（ ）は、組部品を構成している子部品であることを意味します。
4. イラストページの-----枠は、組構成であることを意味します。

NUMERICAL INDEX OF PARTS

PART NO	PAGE	REF NO.
22958458	2	26
BT0400251EB	2	23
BT0600401EB	2	21
E8760452F00	2	15
F1021003000	2	19
GAK32003000	2	3
GAK32004000	2	4
GAK32005000	2	5
GAK49003000	2	6
GAK52004000	2	7
GAKA01000A0	2	1
GAKA01010A0	2	2
GAKA01020A0	2	11
GAS12063000	2	20
GMD01080000	2	24
HK034610020	2	16
HK034640000	2	17
PA2002520A0	2	8
PF0552010B0	2	18
PJ301040504	2	13
PJ301060501	2	14
PV150518100	2	12
SK3412000SC	2	25
SM6062502TP	2	10