

MODEL : MOC-3900 SUBCLASSES REV:01

List No : 0974-01

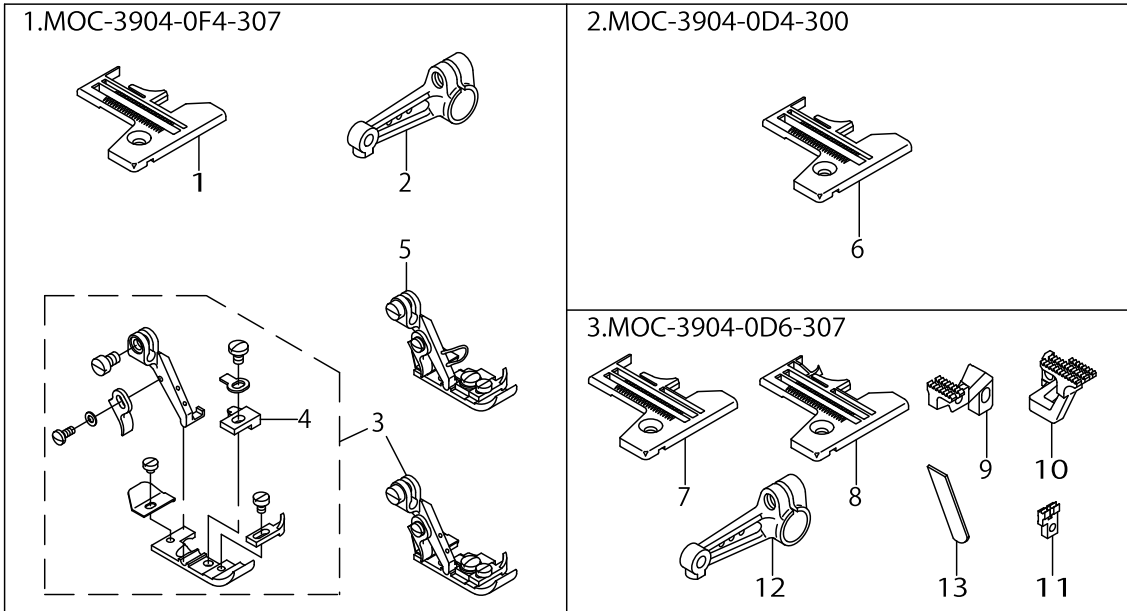
PARTS LIST

Published:05/12/2017

CONTENTS

| | |
|--|---|
| MOC-3900 SUBCLASSES (1)..... | 1 |
| MOC-3900 SUBCLASSES (2)..... | 3 |
| MOC-3900 SUBCLASSES (3)..... | 5 |
| MOC-3900 SUBCLASSES (4)..... | 7 |
| HOW TO MAKE USE OF THIS PARTS LIST | 9 |

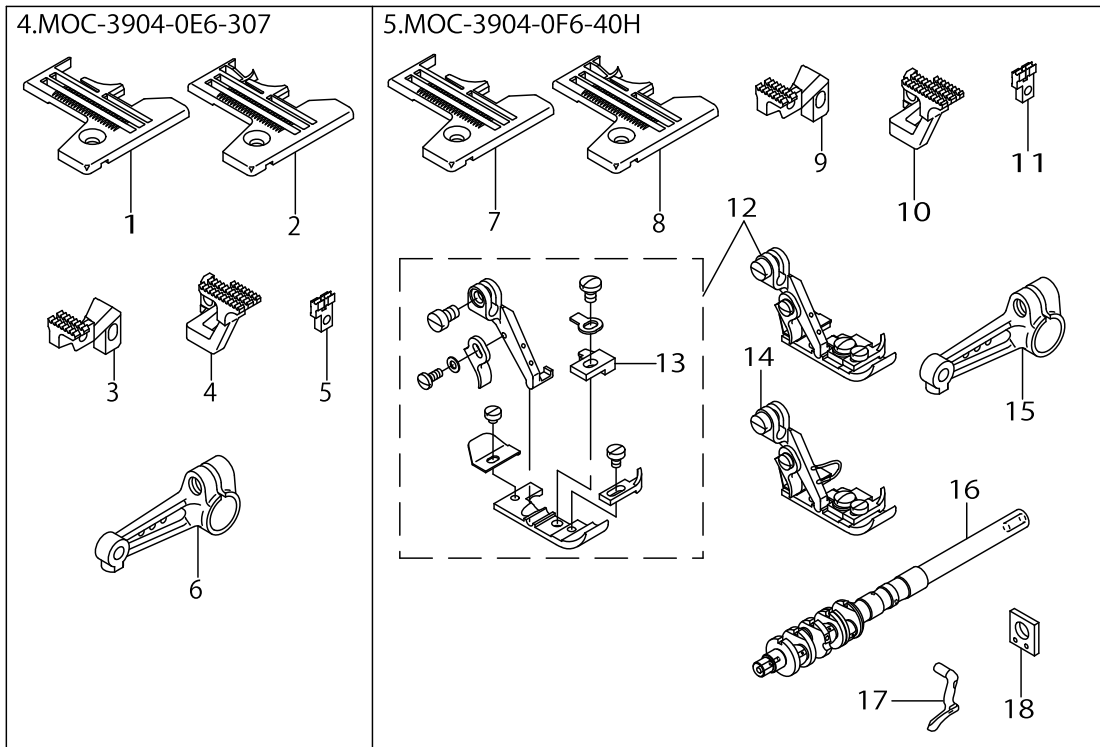
MOC-3900 SUBCLASSES (1)



MOC-3900 SUBCLASSES (1)

| No. | Supply Code | Parts No. | Replacement | Parts name | Remarks | Choice | Step | Level | Cons | Qty | Rep. QTY |
|-----|-------------|-------------|-------------|-----------------------|---------------------------|--------|------|-------|------|-----|----------|
| 1 | R | R4200K0FD00 | R4200K6FD00 | THROAT PLATE | | | | | | 1 | 1.00 |
| 2 | R | 12214607 | 12214656 | UPPER LOOPER ARM D | | | | | | 1 | 1.00 |
| 3 | R | 12230454 | 12230462 | PRESSER FOOT ASM. | | | | | | 1 | 1.00 |
| 4 | | B1509804C0A | | STITCH TONGUE | | | | * | | 1 | |
| 5 | | 12230462 | | PRESSER FOOT ASM. | FOR EXPORT USE | | | | | 1 | |
| 6 | | R4200K0DD00 | | THROAT PLATE | | | | | | 1 | |
| 7 | R | R4300K0DE00 | R4300K6DE00 | THROAT PLATE | | | | | | 1 | 1.00 |
| 8 | | R4300K0DE0A | | THROAT PLATE | P01/Q01 E-XCHANGING PARTS | | | | | 1 | |
| 9 | | 12235206 | | MAIN FEED DOG | | | | | | 1 | |
| 10 | | 12236709 | | DIFFERENTIAL FEED DOG | | | | | | 1 | |
| 11 | D | 12238200 | | AUXILIARY FEED DOG | P01/Q01 E-XCHANGING PARTS | | | | | 1 | |
| 12 | R | 12214607 | 12214656 | UPPER LOOPER ARM D | | | | | | 1 | 1.00 |
| 13 | | 12220406 | | LOWER KNIFE | | | | | | 1 | |

MOC-3900 SUBCLASSES (2)

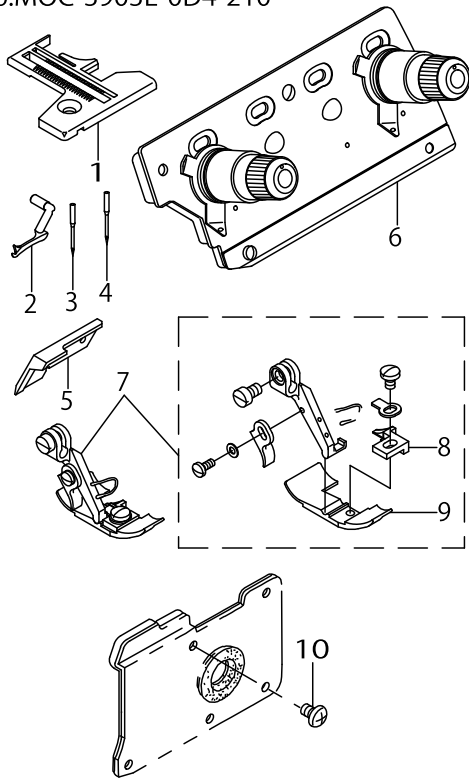


MOC-3900 SUBCLASSES (2)

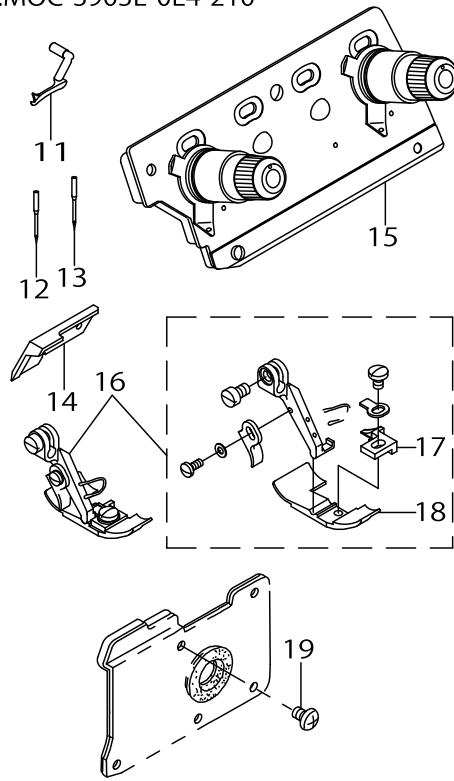
| No. | Supply Code | Parts No. | Replacement | Parts name | Remarks | Choice | Step | Level | Cons | Qty | Rep. QTY |
|-----|-------------|-------------|-------------|-----------------------|---------------------------|--------|------|-------|------|-----|----------|
| 1 | R | R4300K0EE00 | R4300K6EE00 | THROAT PLATE | | | | | | 1 | 1.00 |
| 2 | | R4300K0EE0A | | THROAT PLATE | P02/Q01 E-XCHANGING PARTS | | | | | 1 | |
| 3 | | 12235206 | | MAIN FEED DOG | | | | | | 1 | |
| 4 | | 12236709 | | DIFFERENTIAL FEED DOG | | | | | | 1 | |
| 5 | D | 12238200 | | AUXILIARY FEED DOG | P02/Q01 E-XCHANGING PARTS | | | | | 1 | |
| 6 | R | 12214607 | 12214656 | UPPER LOOPER ARM D | | | | | | 1 | 1.00 |
| 7 | | R4300K0FE00 | | THROAT PLATE | | | | | | 1 | |
| 8 | D | R4300K0FE0A | | THROAT PLATE | P03/Q01 E-XCHANGING PARTS | | | | | 1 | |
| 9 | | 12235206 | | MAIN FEED DOG | | | | | | 1 | |
| 10 | | 12236709 | | DIFFERENTIAL FEED DOG | | | | | | 1 | |
| 11 | D | 12238200 | | AUXILIARY FEED DOG | P03/Q01 E-XCHANGING PARTS | | | | | 1 | |
| 12 | R | 12230454 | 12230462 | PRESSER FOOT ASM. | | | | | | 1 | 1.00 |
| 13 | | B1509804C0A | | STITCH TONGUE | | | | | * | 1 | |
| 14 | | 12230462 | | PRESSER FOOT ASM. | FOR EXPORT USE | | | | | 1 | |
| 15 | R | 12214607 | 12214656 | UPPER LOOPER ARM D | | | | | | 1 | 1.00 |
| 16 | D | 12203709 | | MAIN SHAFT | | | | | | 1 | |
| 17 | | 12247102 | | UPPER LOOPER | | | | | | 1 | |
| 18 | D | 11893609 | | GAUGE | | | | | | 1 | |

MOC-3900 SUBCLASSES (3)

6.MOC-3903E-0D4-210



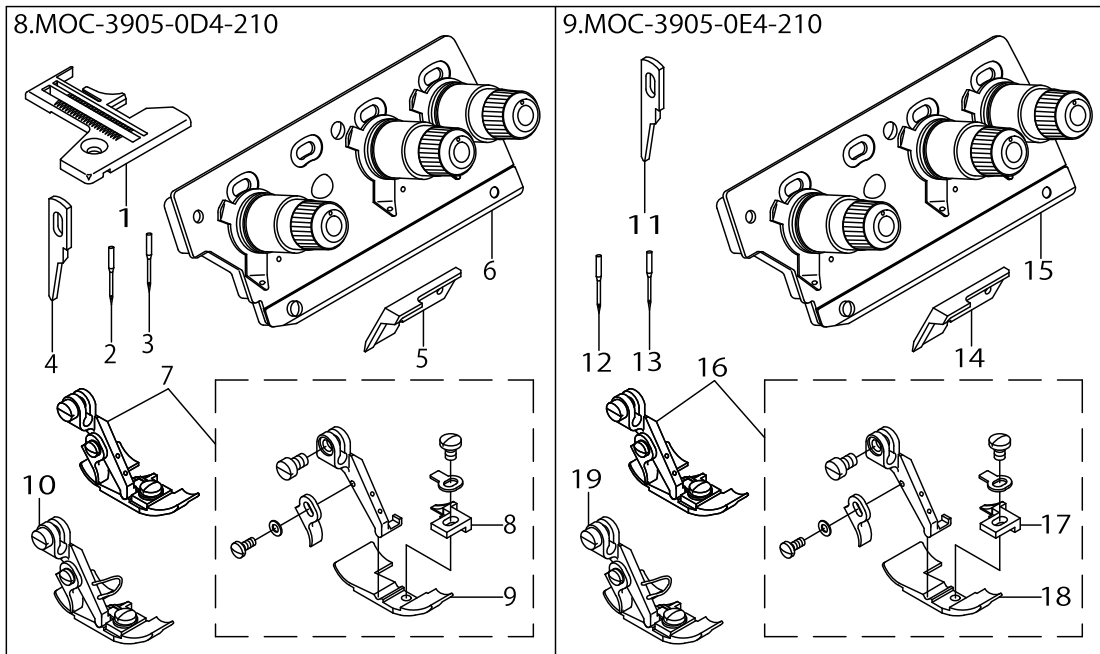
7.MOC-3903E-0E4-210



MOC-3900 SUBCLASSES (3)

| No. | Supply Code | Parts No. | Replacement | Parts name | Remarks | Choice | Step | Level | Cons | Qty | Rep. QTY |
|-----|-------------|-------------|-------------|-------------------------|---------|--------|------|-------|------|-----|----------|
| 1 | | R4200K0DD00 | | THROAT PLATE | | | | | | 1 | |
| 2 | | 12247508 | | UPPER LOOPER | | | | | | 1 | |
| 3 | | MDC270B0900 | | NEEDLE DCX27 #9 | | | | | | 1 | |
| 4 | D | MC033600650 | | NEEDLE B-27 65 | FOR JE | | | | | 1 | |
| 5 | | 11845906 | | UPPER KNIFE | | | | | | 1 | |
| 6 | | 12180360 | | THREAD GUIDE PLATE ASM. | | | | | | 1 | |
| 7 | | 11992161 | | PRESSER FOOT ASM. | | | | | | 1 | |
| 8 | | 11874807 | | STITCH TONGUE | | | | * | | 1 | |
| 9 | R | 11992104 | 11992161 | PRESSER FOOT | | | | * | | 1 | 1.00 |
| 10 | | SM4040655SP | | SCREW | | | | | | 1 | |
| 11 | | 12247508 | | UPPER LOOPER | | | | | | 1 | |
| 12 | | MDC270B0900 | | NEEDLE DCX27 #9 | | | | | | 1 | |
| 13 | D | MC033600650 | | NEEDLE B-27 65 | FOR JE | | | | | 1 | |
| 14 | | 11845906 | | UPPER KNIFE | | | | | | 1 | |
| 15 | | 12180360 | | THREAD GUIDE PLATE ASM. | | | | | | 1 | |
| 16 | | 11992161 | | PRESSER FOOT ASM. | | | | | | 1 | |
| 17 | | 11874807 | | STITCH TONGUE | | | | * | | 1 | |
| 18 | R | 11992104 | 11992161 | PRESSER FOOT | | | | * | | 1 | 1.00 |
| 19 | | SM4040655SP | | SCREW | | | | | | 1 | |

MOC-3900 SUBCLASSES (4)



MOC-3900 SUBCLASSES (4)

| No. | Supply Code | Parts No. | Replacement | Parts name | Remarks | Choice | Step | Level | Cons | Qty | Rep. QTY |
|-----|-------------|-------------|-------------|-------------------------|----------------|--------|------|-------|------|-----|----------|
| 1 | | R4200K0DD00 | | THROAT PLATE | | | | | | 1 | |
| 2 | | MDC270B0900 | | NEEDLE DCX27 #9 | | | | | | 1 | |
| 3 | D | MC033600650 | | NEEDLE B-27 65 | FOR JE | | | | | 1 | |
| 4 | | 11845708 | | KNIFE | | | | | | 1 | |
| 5 | | 11845906 | | UPPER KNIFE | FOR EXPORT USE | | | | | 1 | |
| 6 | D | 12180568 | | THREAD GUIDE PLATE ASM. | | | | | | 1 | |
| 7 | R | 11992153 | 11992161 | PRESSER FOOT ASM. | | | | | | 1 | 1.00 |
| 8 | | 11874807 | | STITCH TONGUE | | | | * | | 1 | |
| 9 | R | 11992104 | 11992161 | PRESSER FOOT | | | | * | | 1 | 1.00 |
| 10 | | 11992161 | | PRESSER FOOT ASM. | FOR EXPORT USE | | | | | 1 | |
| 11 | | 11845708 | | KNIFE | | | | | | 1 | |
| 12 | | MDC270B0900 | | NEEDLE DCX27 #9 | | | | | | 1 | |
| 13 | D | MC033600650 | | NEEDLE B-27 65 | FOR JE | | | | | 1 | |
| 14 | | 11845906 | | UPPER KNIFE | FOR EXPORT USE | | | | | 1 | |
| 15 | D | 12180568 | | THREAD GUIDE PLATE ASM. | | | | | | 1 | |
| 16 | R | 11992153 | 11992161 | PRESSER FOOT ASM. | | | | | | 1 | 1.00 |
| 17 | | 11874807 | | STITCH TONGUE | | | | * | | 1 | |
| 18 | R | 11992104 | 11992161 | PRESSER FOOT | | | | * | | 1 | 1.00 |
| 19 | | 11992161 | | PRESSER FOOT ASM. | FOR EXPORT USE | | | | | 1 | |

HOW TO MAKE USE OF THIS PARTS LIST

1.As to "#01" and "#02" refer to the "Note" given at the bottom of the respective pages.

2.Codes on the "Qty" column

- Each numeral indicates the number of parts required.
- "0.1" and "2.5" indicate the length (in meters) of the respective parts.

3.Parentheses mean that the corresponding part is a subpart that constructs an assembly part.

4.Dotted lines on the Figures indicate assembly parts.

1. リストページの# 0 1、# 0 2の印は、ページ下の"注記"の説明を参照下さい。
2. 数量欄の数字は、個数を表し、0. 1、2. 5等の数値は、長さ（単位メートル）を表します。
3. 数量欄の（ ）は、組部品を構成している子部品であることを意味します。
4. イラストページの-----枠は、組構成であることを意味します。

Other parts list related to this model.

この機種に関するパーツリストとして下記のパーツリストがあります。

MOC-3904-0E4,MOC-3914-BE6.....Standard model(No.0936-02)

MOC-3904-0E4,MOC-3914-BE6.....標準機種 (No.0936-02)

NUMERICAL INDEX OF PARTS

| PART NO | PAGE | REF NO. | PART NO | PAGE | REF NO. |
|-------------|------|---------|-------------|------|---------|
| 11845708 | 8 | 11 | SM4040655SP | 6 | 19 |
| 11845906 | 6 | 14 | | | |
| 11845906 | 8 | 14 | | | |
| 11874807 | 6 | 17 | | | |
| 11874807 | 8 | 17 | | | |
| 11893609 | 4 | 18 | | | |
| 11992104 | 6 | 18 | | | |
| 11992104 | 8 | 18 | | | |
| 11992153 | 8 | 16 | | | |
| 11992161 | 6 | 16 | | | |
| 11992161 | 8 | 19 | | | |
| 12180360 | 6 | 15 | | | |
| 12180568 | 8 | 15 | | | |
| 12203709 | 4 | 16 | | | |
| 12214607 | 2 | 12 | | | |
| 12214607 | 4 | 15 | | | |
| 12220406 | 2 | 13 | | | |
| 12230454 | 2 | 3 | | | |
| 12230454 | 4 | 12 | | | |
| 12230462 | 2 | 5 | | | |
| 12230462 | 4 | 14 | | | |
| 12235206 | 2 | 9 | | | |
| 12235206 | 4 | 9 | | | |
| 12236709 | 2 | 10 | | | |
| 12236709 | 4 | 10 | | | |
| 12238200 | 2 | 11 | | | |
| 12238200 | 4 | 11 | | | |
| 12247102 | 4 | 17 | | | |
| 12247508 | 6 | 11 | | | |
| B1509804C0A | 2 | 4 | | | |
| B1509804C0A | 4 | 13 | | | |
| MC033600650 | 6 | 13 | | | |
| MC033600650 | 8 | 13 | | | |
| MDC270B0900 | 6 | 12 | | | |
| MDC270B0900 | 8 | 12 | | | |
| R4200K0DD00 | 2 | 6 | | | |
| R4200K0DD00 | 6 | 1 | | | |
| R4200K0DD00 | 8 | 1 | | | |
| R4200K0FD00 | 2 | 1 | | | |
| R4300K0DE00 | 2 | 7 | | | |
| R4300K0DE0A | 2 | 8 | | | |
| R4300K0EE00 | 4 | 1 | | | |
| R4300K0EE0A | 4 | 2 | | | |
| R4300K0FE00 | 4 | 7 | | | |
| R4300K0FE0A | 4 | 8 | | | |