

MODEL : DDL-5530N SERIES

List No : 0923-05

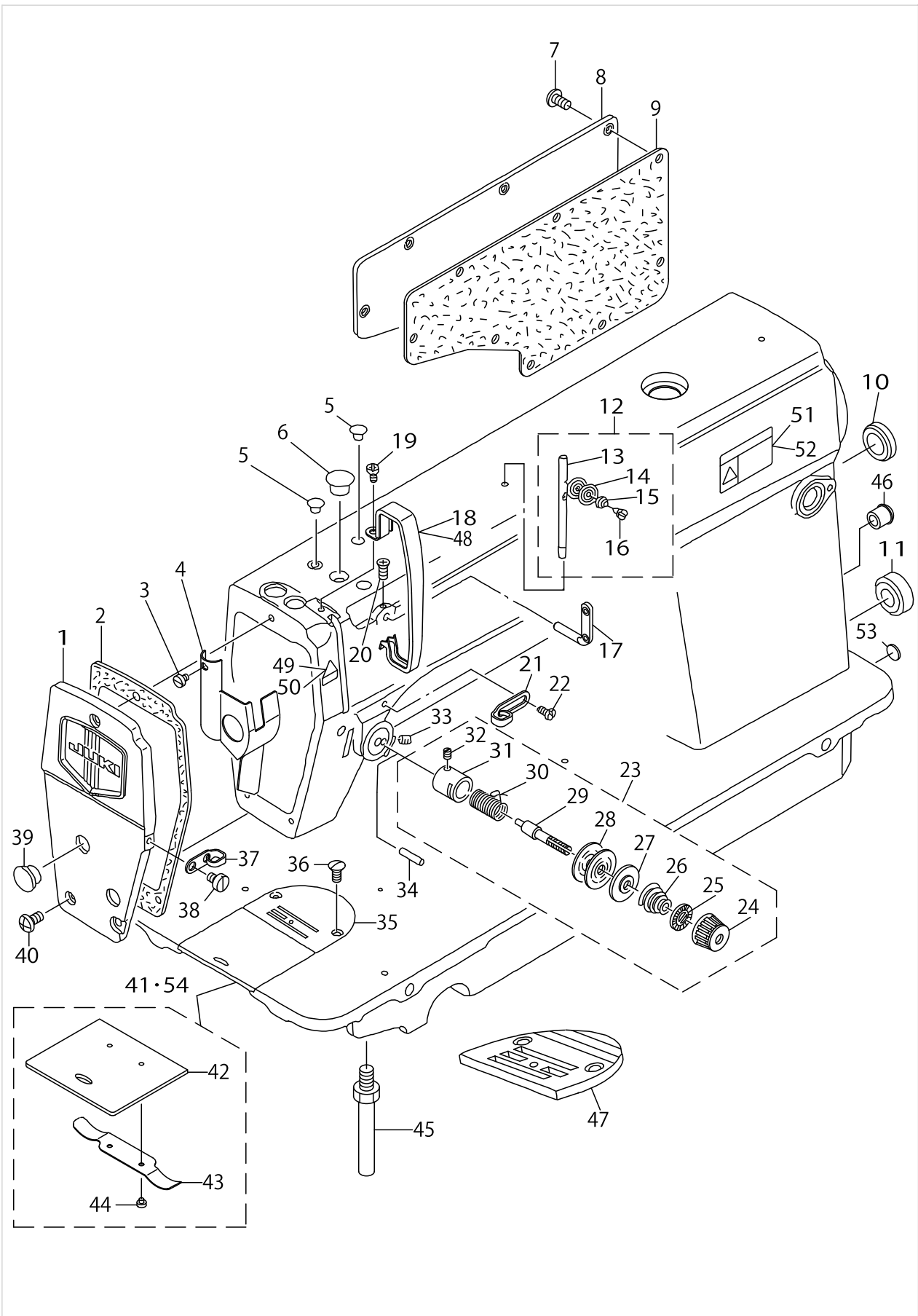
PARTS LIST

Published:05/12/2017

CONTENTS

MACHINE FRAME & MISCELLANEOUS COVER COMPONENTS	1
MAIN SHAFT & THREAD TAKE-UP LEVER COMPONENTS	5
NEEDLE BAR, UPRIGHT SHAFT & HOOK DRIVING SHAFT COMPONENTS	7
HAND LIFTER COMPONENTS	9
FEED MECHANISM COMPONENTS.....	11
OIL LUBRICATION COMPONENTS	15
OIL RESERVOIR COMPONENT	17
BELT COVER & BOBBIN WINDER COMPONENTS	19
THREAD STAND COMPONENTS.....	21
EXCLUSIVE PARTS FOR DDL-5530NH.....	23
EXCLUSIVE PARTS FOR DDL-5530NA.....	25
EXCLUSIVE PARTS FOR DDL-5530NL.....	27
LIST FOR INFORMATION OF CHANGE (1).....	29
LIST FOR INFORMATION OF CHANGE (2).....	30
HOW TO MAKE USE OF THIS PARTS LIST	31

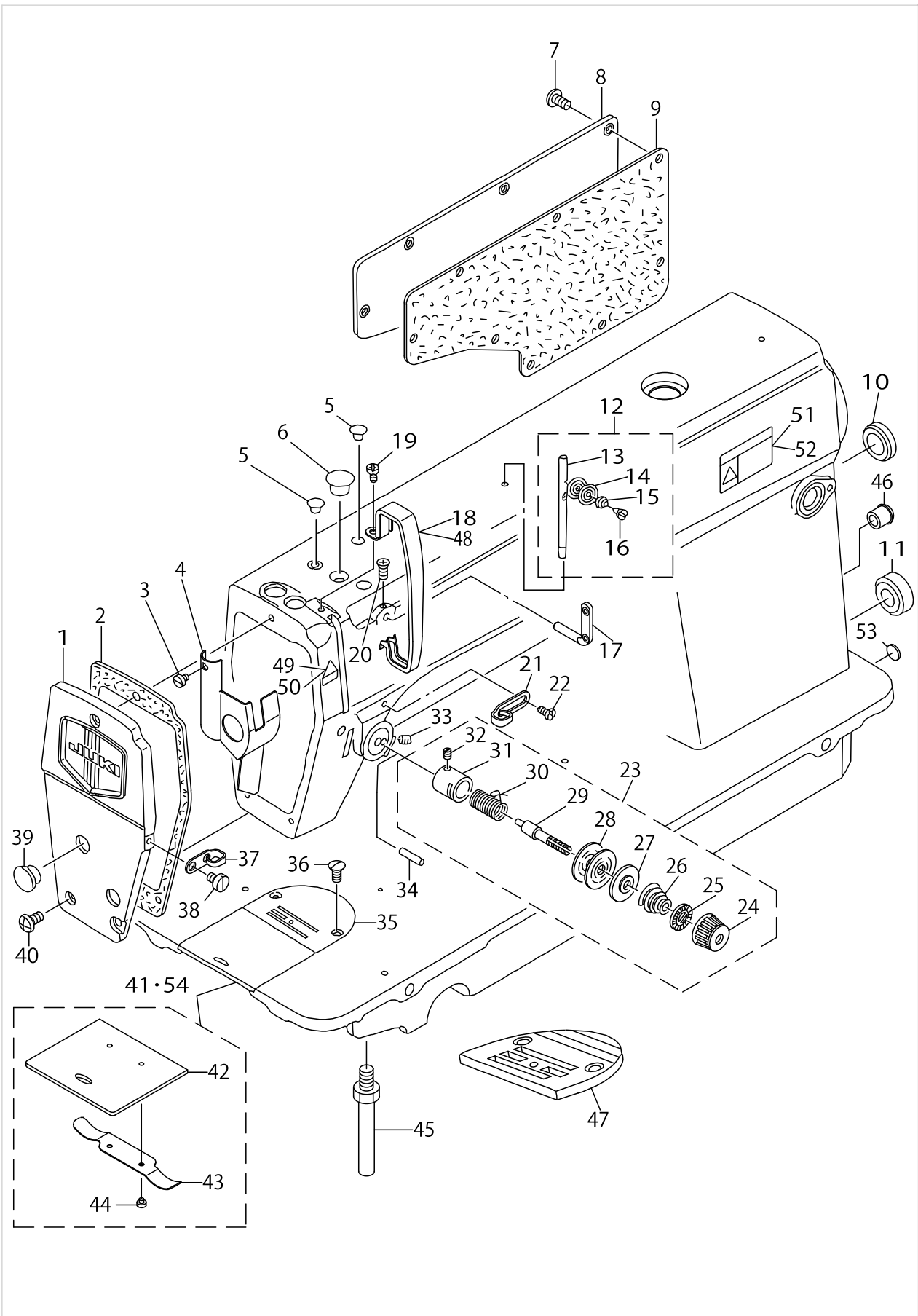
MACHINE FRAME & MISCELLANEOUS COVER COMPONENTS



MACHINE FRAME & MISCELLANEOUS COVER COMPONENTS

No.	Supply Code	Parts No.	Replacement	Parts name	Remarks	Choice	Step	Level	Cons	Qty	Rep. QTY
1		11070851		FACE PLATE ASM.						1	
2		11000304		FACE PLATE GASKET						1	
3		SS6080410SP		SCREW 1/8-44 L=4						1	
4		22900757		FACE PLATE OIL SHIELD ASM.						1	
5		TA0850604R0		RUBBER PLUG						2	
6		TA1250705R0		RUBBER PLUG						1	
7		SS4120915SP		SCREW 3/16-28 L=9						8	
8	R	11070901	22900401	SIDE PLATE						1	1.00
9		11003308		GASKET						1	
10		TA2000502R0		RUBBER PLUG						1	
11		TA2101002R0		RUBBER PLUG						1	
12		22932552		NEEDLE THREAD GUIDE PIN ASM.						1	
13	R	22932503	22932552	THREAD GUIDE ROD				*		1	1.00
14	D	22932602		THREAD GUIDE DISK				*		2	
15	R	22932701	26021600	THREAD GUIDE DISK SPRING				*		1	1.00
16		SD0380552SL		HINGE SCREW D=3.8 H=5.5				*		1	
17		22920706		TWO EYELET						1	
18		22900609		THREAD TAKE-UP LEVER COVER						1	
19		SS4120615SP		SCREW 3/16-28 L=6						1	
20		SS4120615SP		SCREW 3/16-28 L=6						1	
21		22920508		ARMTHREADGUIDEA						1	
22	R	11001500	22921001	SCREW						1	1.00
23		22945356		THREAD TENSION ASM.						1	
24		22921308		THREAD TENSION NUT				*		1	
25		22921407		ROTATION STOPPER				*		1	
26		22921704		THREAD TENSION SPRING, A				*		1	
27		22921803		DISK STOPPER				*		1	
28		22921506		THREAD TENSION DISK				*		2	
29		22921209		THREAD TENSION POST				*		1	
30		22921605		THREAD TAKE-UP SPRING				*		1	
31		22945307		THREAD TENSION POST BASE				*		1	
32		SS8090670SP		SCREW 9/64-40 L=5.5				*		1	
33		SS8150710TP		SCREW 15/64-28 L=7						1	
34		22920904		PIN						1	
35		B1109012A00		THROAT PLATE (A)						1	
36		SS2110920TP		SCREW 11/64-40 L=8.5						2	
37		22920607		ARMTHREADGUIDEB						1	
38		SS6110610TP		SCREW 11/64-40 L=6						1	
39		TA1250406R0		RUBBER PLUG D=12.5 L=4						2	
40		SS4120915SP		SCREW 3/16-28 L=9						3	
41		22901250		SLIDE PLATE ASM.						1	
42	R	22901201	22901250	SLIDE PLATE				*		1	1.00
43		22901300		SLIDE PLATE SPRING				*		1	
44		SS6060210SP		SCREW 3/32-56 L=1.9				*		2	
45		22901003		BED SCREW STUD						4	
46		TA0950806R0		RUBBER PLUG						1	

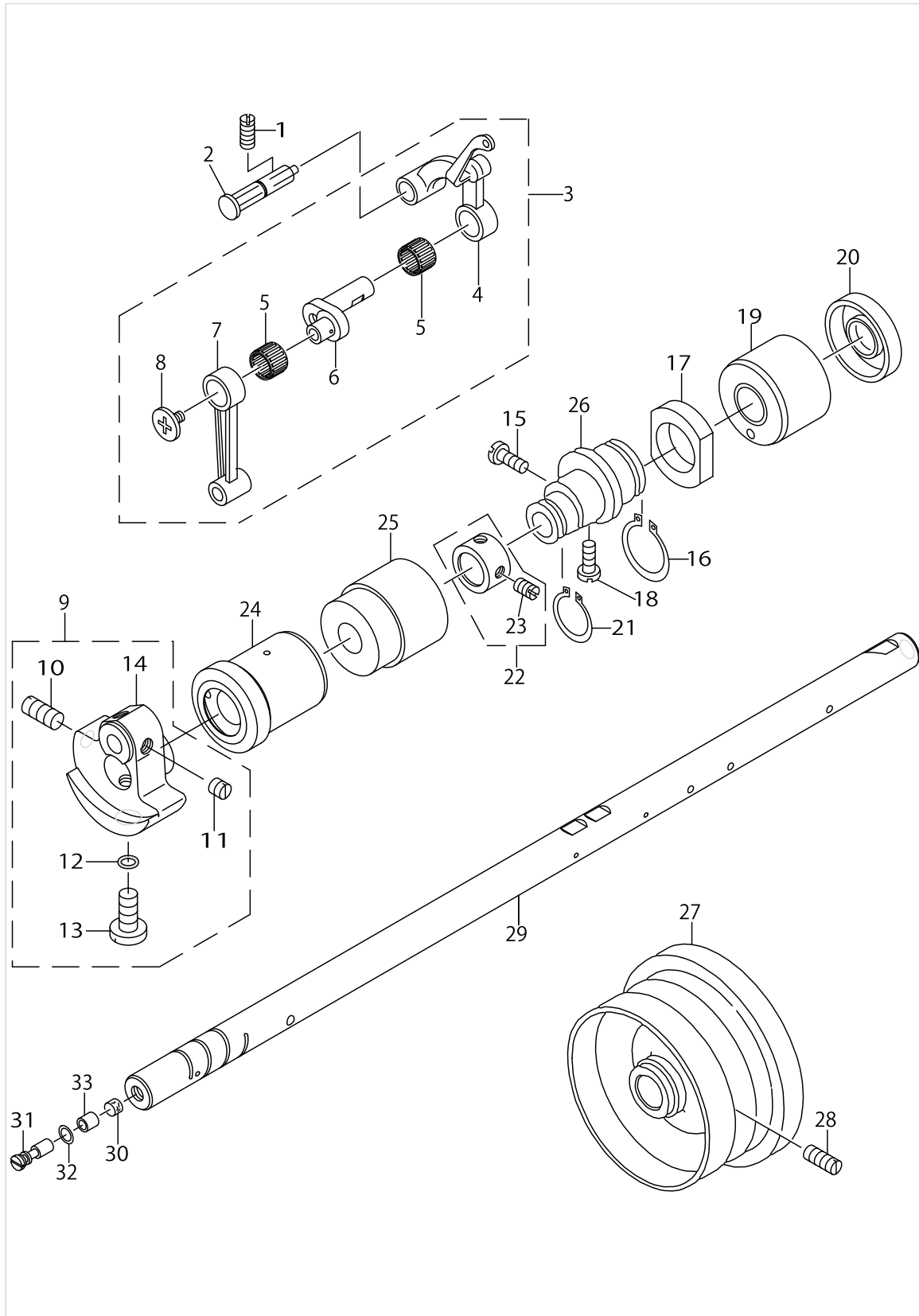
MACHINE FRAME & MISCELLANEOUS COVER COMPONENTS



MACHINE FRAME & MISCELLANEOUS COVER COMPONENTS

No.	Supply Code	Parts No.	Replacement	Parts name	Remarks	Choice	Step	Level	Cons	Qty	Rep. QTY
47		B1109552000		THROAT PLATE	FOR JA,JH					1	
48	R	22901904	11415205	THREAD TAKE-UP LEVER COVER	FOR JE					1	1.00
49		CM300200001		ATTENTION SEAL	FOR JE					1	
50		CM3002000B1		LABEL(16)	FOR USE IN JAPAN					1	
51		CM300200101		SAFETY LABEL, 1(SMALL).	FOR USE IN JAPAN					1	
52		CM3002001A1		SAFETY LABEL,,3 (SMALL).	EXCEPT JE & USE IN JAPAN					1	
53	R	10004109	22901805	GROUND MARK						1	1.00
54	R	11003258	22902753	SLIDE PLATE ASM.	FOR JH					1	1.00

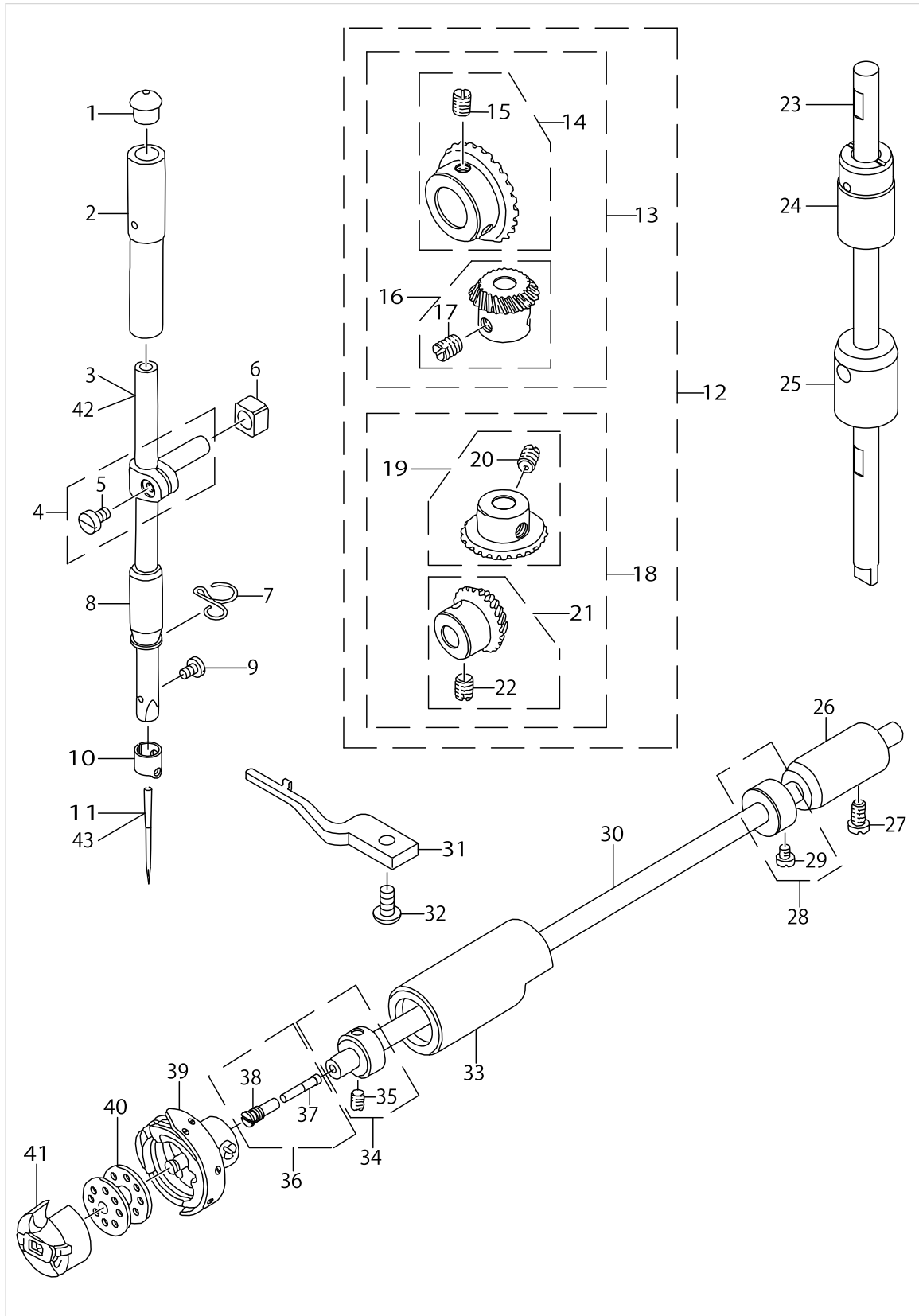
MAIN SHAFT & THREAD TAKE-UP LEVER COMPONENTS



MAIN SHAFT & THREAD TAKE-UP LEVER COMPONENTS

No.	Supply Code	Parts No.	Replacement	Parts name	Remarks	Choice	Step	Level	Cons	Qty	Rep. QTY
1		SS8151150TP		SCREW 15/64-28 L=10.5						1	
2		22919559		THREAD TAKE-UP CRANK SHAFT ASM						1	
3		11017076		LINK THREAD TAKE- -UP LEVER ASM.						1	
4		11017068		LINK THREAD TAKE- -UP LEVER ASM.				*		1	
5		B1905541B00		NEEDLE BEARING	SELECTIVE PARTS			*		2	
6	R	11005204	22918106	NEEDLE BAR CRANK				*		1	1.00
7	R	B1408552000	22906606	NEEDLE BAR CRANK ROD				*		1	1.00
8		B1903552000		LEFT SCREW				*		1	
9		22903157		COUNTER WEIGHT ASM.						1	
10		SS8681650TP		SCREW 9/32-28 L=16				*		1	
11		SS8660610TP		SCREW 1/4-40 L=6				*		2	
12		RO044240100		RUBBER RING				*		1	
13		SS7681650TP		SCREW 9/32-28 L=16				*		1	
14	R	22903108	22903157	COUNTER WEIGHT				*		1	1.00
15		SS6661110SP		SCREW 1/4-40 L=11						1	
16		RC2501211KP		SNAP RING 25.0						1	
17	D	11050101		PITMAN SLEEVE						1	
18		SS6661110SP		SCREW 1/4-40 L=11						1	
19		11002409		MAIN SHAFT BUSHING, REAR						1	
20	R	11002508	40105231	OIL SEAL						1	1.00
21		RC1850001KP		SNAP RING 18.5						1	
22		22904155		MAIN SHAFT THRU- ST COLLAR ASM.						1	
23		SS8660610TP		SCREW 1/4-40 L=6				*		2	
24		22903207		MAIN SHAFT BUSHING, FRONT						1	
25		22903306		BUSHING,INTERMEDIATE						1	
26	R	11050002	11050051	FEED CAM						1	1.00
27	R	11071305	11071362	HAND WHEEL						1	1.00
28		SS8151550SP		SCREW15/64-28L=15						2	
29		22903009		MAIN SHAFT						1	
30		11002904		ROLLER FELT						1	
31		22903900		ADJUSTING PIN						1	
32		RO029180100		RUBBER RING						1	
33		B1215552000		OIL ADJUSTING COLLAR						1	

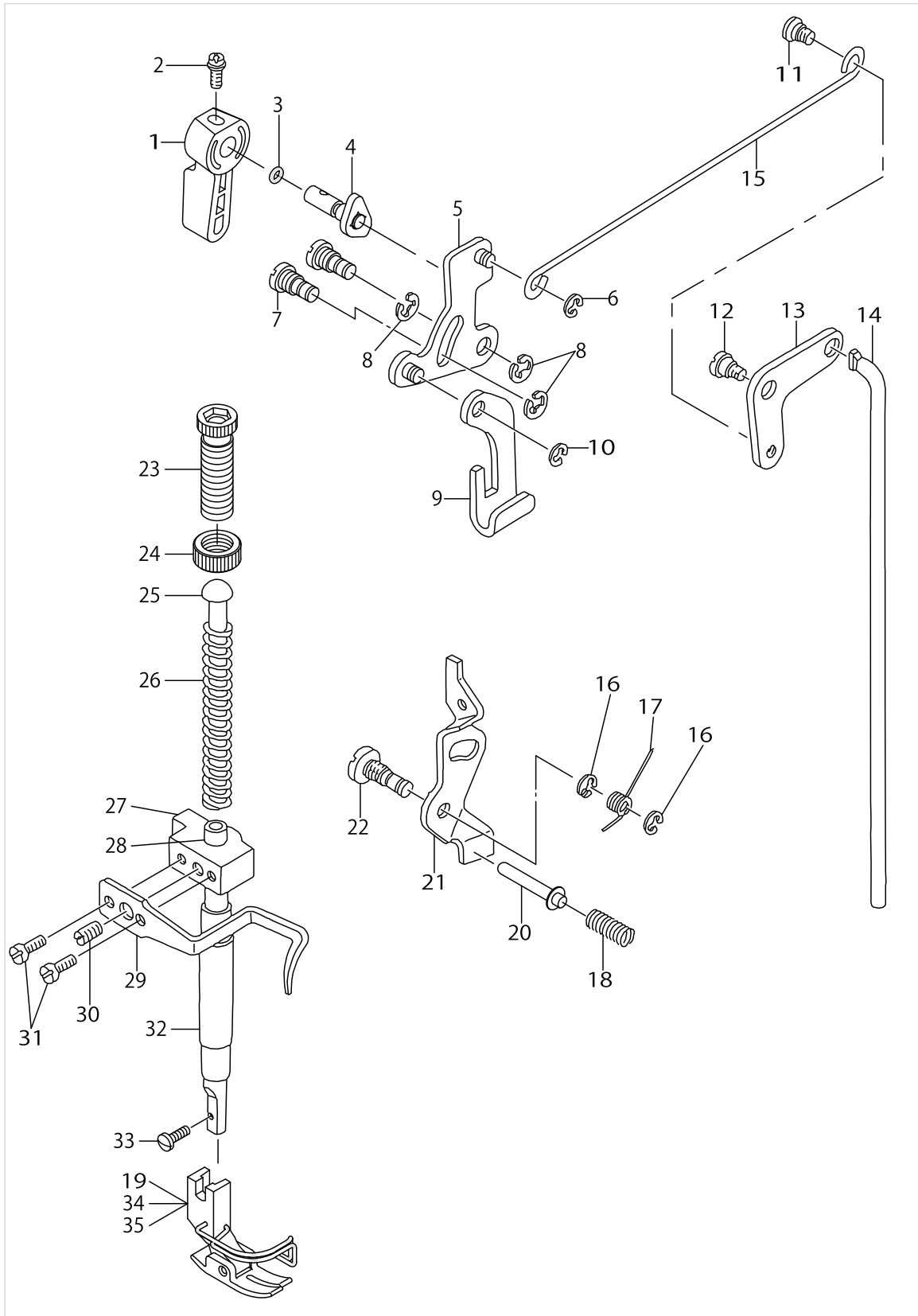
NEEDLE BAR, UPRIGHT SHAFT & HOOK DRIVING SHAFT COMPONENTS



NEEDLE BAR, UPRIGHT SHAFT & HOOK DRIVING SHAFT COMPONENTS

No.	Supply Code	Parts No.	Replacement	Parts name	Remarks	Choice	Step	Level	Cons	Qty	Rep. QTY
1		22901409		NEEDLE BAR UPPER BUSH CAP						1	
2		22906101		NEEDLE BAR BUSHING, UPPER						1	
3		22906002		NEEDLE BAR						1	
4		22906457		NEEDLE BAR CONNECTING ASM.						1	
5		SS6090670TP		SCREW 9/64-40 L=6				*		1	
6		B1414555000		SLIDE BLOCK						1	
7		22920805		NEEDLE BAR THREAD GUIDE						1	
8	R	B1403155000	22906200	NEEDLE BAR BUSHING, LOWER						1	1.00
9		SS7080510TP		SCREW 1/8-44 L=4.5						1	
10		22906309		NEEDLE BAR THREAD GUIDE						1	
11		MDB100B1400		NEEDLE DBX1 #14						1	
12	R	B13061550C0	B13071550C0	GEAR & PINION ASM.						1	1.00
13		B13061550B0		GEAR & PINION ASM., UPPER				*		1	
14		B13050120A0		GEAR ASM.				*		1	
15		SS8660810TP		SCREW 1/4-40 L=8				*		2	
16		B13061550A0		PINION ASM.				*		1	
17		SS8660810TP		SCREW 1/4-40 L=8				*		2	
18		B13071550B0		GEAR & PINION ASM., LOWER				*		1	
19		B13071550A0		GEAR ASM. LARGE				*		1	
20		SS8660810TP		SCREW 1/4-40 L=8				*		2	
21		B13081550A0		PINION ASM.				*		1	
22		SS8660810TP		SCREW 1/4-40 L=8				*		2	
23		22905004		UPRIGHT SHAFT						1	
24		22905103		BUSHING B, UPPER						1	
25		11004207		UPRIGHT SHAFT BUSHING, LOWER						1	
26	R	11015807	22916308	BUSHING, REAR						1	1.00
27		SS4120915SP		SCREW 3/16-28 L=9						1	
28		22917157		THRUST COLLAR A- SM. D=7.94 W=10						1	
29		SS6110420TP		SCREW 11/64-40 L=4.8				*		2	
30		22916001		HOOK DRIVING SHAFT						1	
31		22916407		BOBBIN CASE HOLDER						1	
32		SS4110915TP		SCREW 11/64-40 L= 9.5						1	
33		22916100		BUSHING ASM., FRONT						1	
34		22917058		THRUST COLLAR ASM.						1	
35		SS8110410TP		SCREW 11/64-40 L= 3.5				*		2	
36		22916555		OILSEALSCREWASM.						1	
37		11015906		OIL WICK				*		1	
38		22916506		SET SCREW				*		1	
39		B18301270A0		HOOK ASM.						1	
40		22932909		BOBBIN						1	
41		B18370120A0		BOBBIN CASE ASM.						1	
42	R	11141108	22906705	NEEDLE BAR	FOR JE					1	1.00
43		MC200500750		NEEDLE 134 NM75	FOR JE					1	

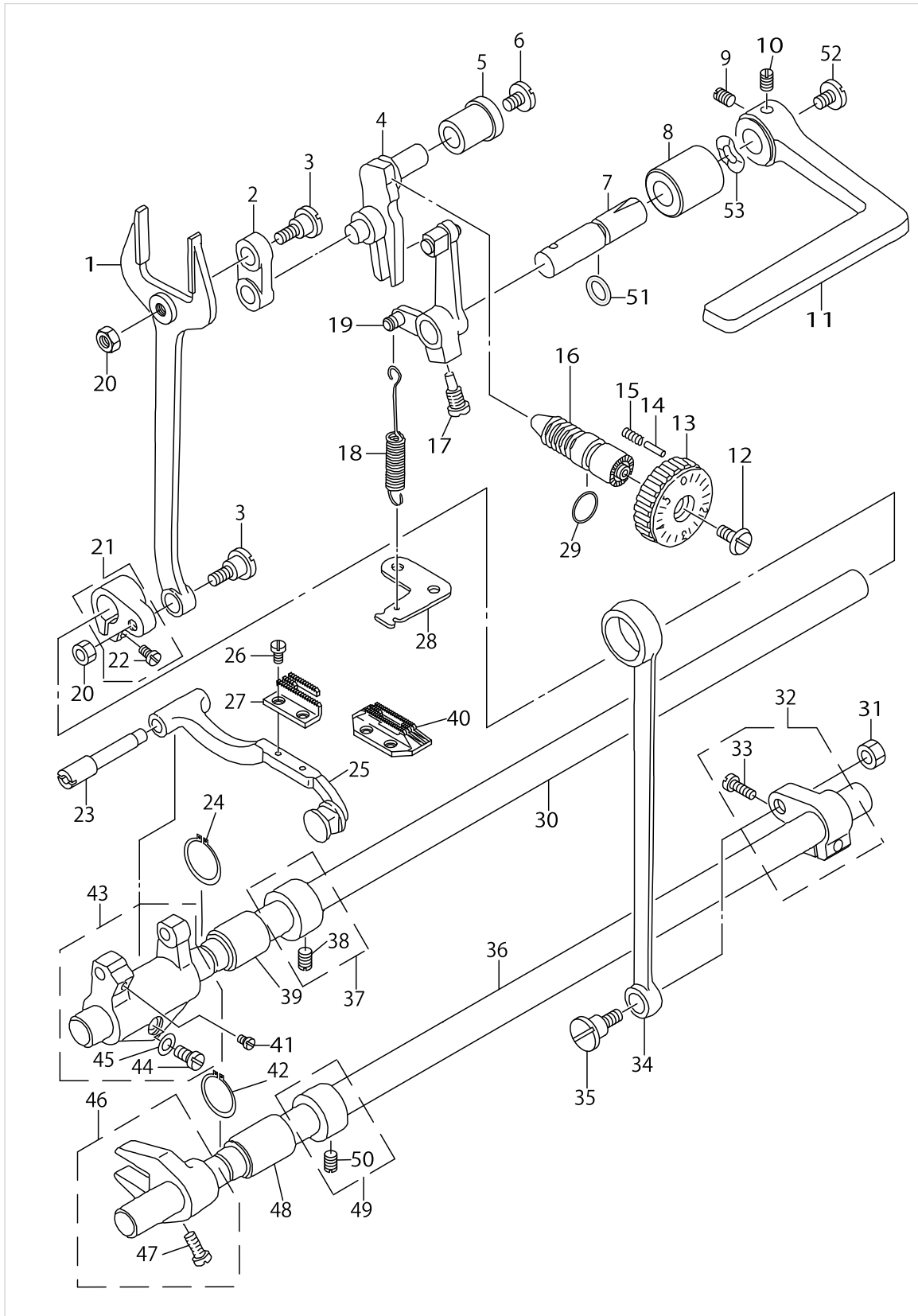
HAND LIFTER COMPONENTS



HAND LIFTER COMPONENTS

No.	Supply Code	Parts No.	Replacement	Parts name	Remarks	Choice	Step	Level	Cons	Qty	Rep. QTY
1		22907802		HAND LIFTER						1	
2		B1521555000		SCREW						1	
3		RO037180100		RUBBER RING						1	
4		22908552		HAND LIFTER CAM ASM.						1	
5	R	22908156	22908354	LIFTING LINK ASM.						1	1.00
6		RE0500000K0		E-RING						1	
7	R	11006509	22908701	LINK SHAFT						2	1.00
8		RE0500000K0		E-RING						3	
9	R	22908008	22908354	LIFTING PLATE		A	DDL-5550 5550N 555- ON-7 5556- N-7 5600NL-7			1	1.00
9	R	22908008	23609357	LIFTING PLATE		B	DDL-9000A 9000B			1	1.00
9	R	22908008	40057398	LIFTING PLATE		C	LH-3500			1	1.00
9	R	22908008	40174387	LIFTING PLATE		D	DDL-9000C			1	1.00
10		11007309		E-RING						1	
11		22908909		HINGE SCREW						1	
12		SD0720331SP		HINGE SCREW D= 7.24 H= 3.3						1	
13		22908800		KNEE LIFTER LINK						1	
14		22909006		KNEE LIFTER CONNECTING ROD						1	
15		22908305		KNEE LIFTER SIDE ROD						1	
16		RE0500000K0		E-RING						2	
17	R	11018207	22920201	TENSION RELEASE RETURN SPRING						1	1.00
18	R	11018405	22920409	TENSION RELEASE PIN SPRING						1	1.00
19		B15240120BA		PRESSER FOOT ASM.						1	
20		22920300		THREAD RELEASE SUPPORTING PIN						1	
21	R	11018009	22920003	TENSION RELEASE PLATE						1	1.00
22	R	11018108	22920102	TENSION RELEASE SHAFT						1	1.00
23	R	22907505	22907554	PRESSER SPRING REGULATOR						1	1.00
24	R	22907604	22907554	PRESSER SPRING REGULATOR NUT						1	1.00
25		22907703		PRESSER GUIDE BAR						1	
26		22907406		PRESSER SPRING						1	
27	R	11006004	22907208	PRESSER BAR GUIDE BRACKET						1	1.00
28	R	22907000	40017805	PRESSER BAR						1	1.00
29		22907307		THREAD GUIDE						1	
30		SS8660810TP		SCREW 1/4-40 L=8						1	
31		SS6090910SP		SCREW 9/64-40 L=9						2	
32		22907109		PRESSER BAR BUSHING, LOWER						1	
33		SS7091110TP		SCREW 9/64-40 L=10.5						1	
34		11028172		PRESSER FOOT ASM.	FOR USE IN JAPAN					1	
35		B15245520BA		PRESSER FOOT ASM.	FOR JA					1	

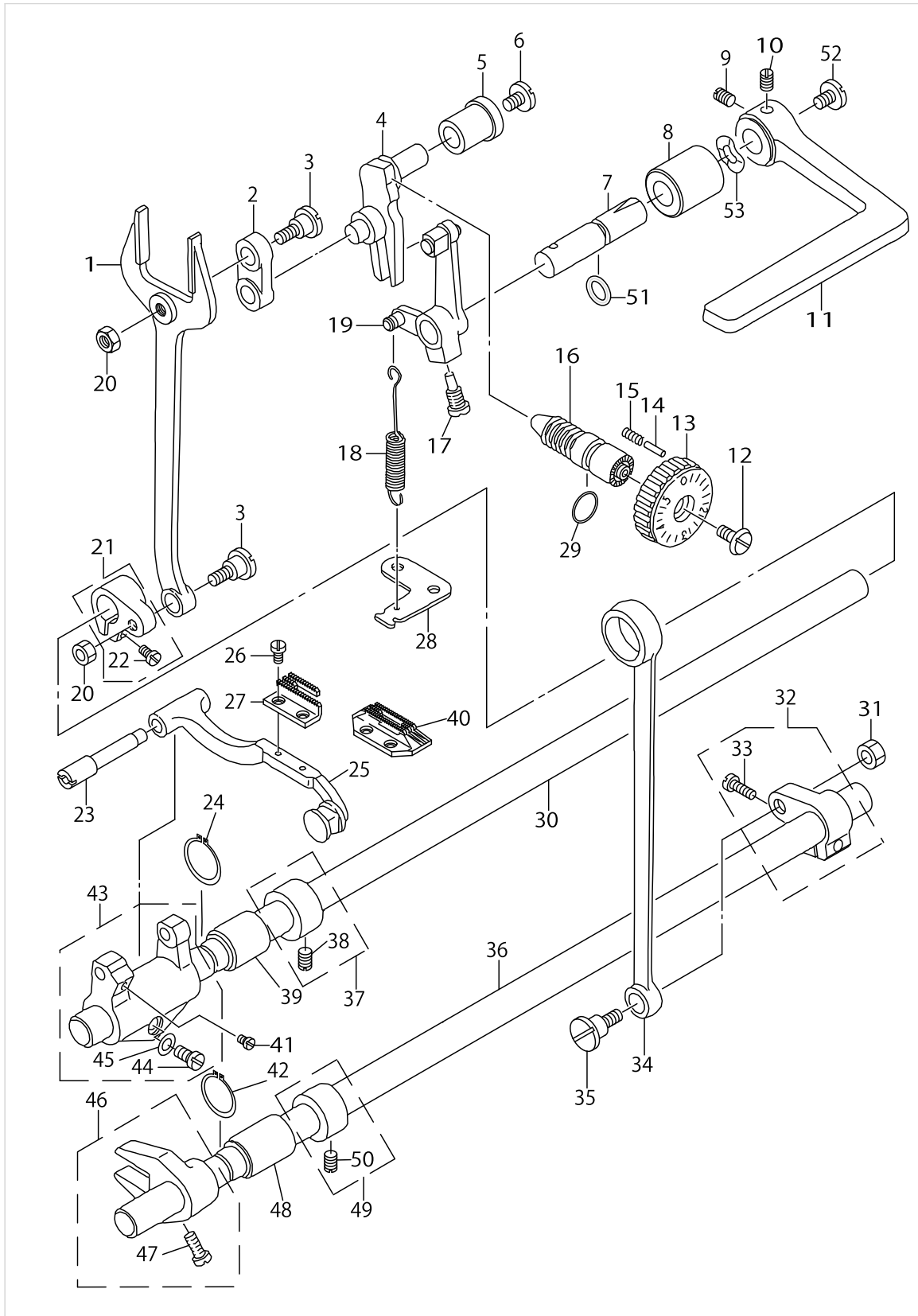
FEED MECHANISM COMPONENTS



FEED MECHANISM COMPONENTS

No.	Supply Code	Parts No.	Replacement	Parts name	Remarks	Choice	Step	Level	Cons	Qty	Rep. QTY
1		11050200		PITMAN						1	
2	R	11050309	22966402	PITMAN LINK						1	1.00
3		SD1000801SH		HINGE SCREW D=10 H=8						2	
4		11050507		FEED REGULATOR						1	
5		22911705		FEED REGULATOR BUSHING						1	
6		SS7120770SH		SCREW 3/16-28 L=7						1	
7	R	11053105	22967202	FEED REVERSE SHAFT						1	1.00
8	R	11010709	22912802	FEED LEVER METAL						1	1.00
9		SM8061010TP		SCREW						1	
10		SM8061050TP		SCREW						1	
11	R	22912703	22912752	FEED LEVER						1	1.00
12		SS6121860SP		SCREW 3/16-28 L=18						1	
13		22911903		FEED DIAL						1	
14		22912000		FEED REGULATOR PIN						1	
15		22912109		FEED REGULATOR PIN SPRING						1	
16		22911804		FEED REGULATOR SCREW						1	
17	R	11010410	22912505	FEED REVERSE ARM SCREW						1	1.00
18		11050705		LEVER RETURN SPRING						1	
19	D R	11050655	22966758	LEVER CRANK ASM.						1	1.00
20		NS6680410SP		NUT 9/32-28						2	
21	R	11050408	11050457	FEED ROCK SHAFT CRANK						1	1.00
22		SS7121610SP		SCREW 3/16-28 L=15.5				*		1	
23		22940803		FEED BAR SHAFT						1	
24		RC0150001KP		RETAINING RING 13.8						1	
25		22971857		FEED BASE ASM.						1	
26		SS4080620TP		SCREW 1/8-44 L=6						2	
27		B1613012A00		FEED DOG A						1	
28		22913701		FEED SPRING HOOK						1	
29		RO092270200		RUBBER RING						1	
30		22912901		FEED ROCKERSHAFT						1	
31		NS6680410SP		NUT 9/32-28						1	
32		22915151		FEED ARM COMPL.						1	
33		SS7121610SP		SCREW 3/16-28 L=15.5				*		1	
34		22915003		CONNECTING ROD						1	
35		SD1000801SH		HINGE SCREW D=10 H=8						1	
36		22915201		FEED DRIVING SHAFT						1	
37		22904155		MAIN SHAFT THRU-ST COLLAR ASM.						1	
38		SS8660610TP		SCREW 1/4-40 L=6				*		2	
39		22913008		FEED ROCKER SHAFT BUSHING						1	
40		B1613012I00		FEED DOG I	FOR JA,JH					1	
41		SS7110740TP		SCREW 11/64-40 L=7						1	
42		RC0150001KP		RETAINING RING 13.8						1	
43		22940654		FEED ROCKER ASM.						1	
44		SS7121410TP		SCREW 3/16-28 L=14				*		1	
45		WP0480856SP		WASHER 4.8X8.4X0.8				*		1	
46		22915359		DRIVING SHAFT CRANK ASM.						1	

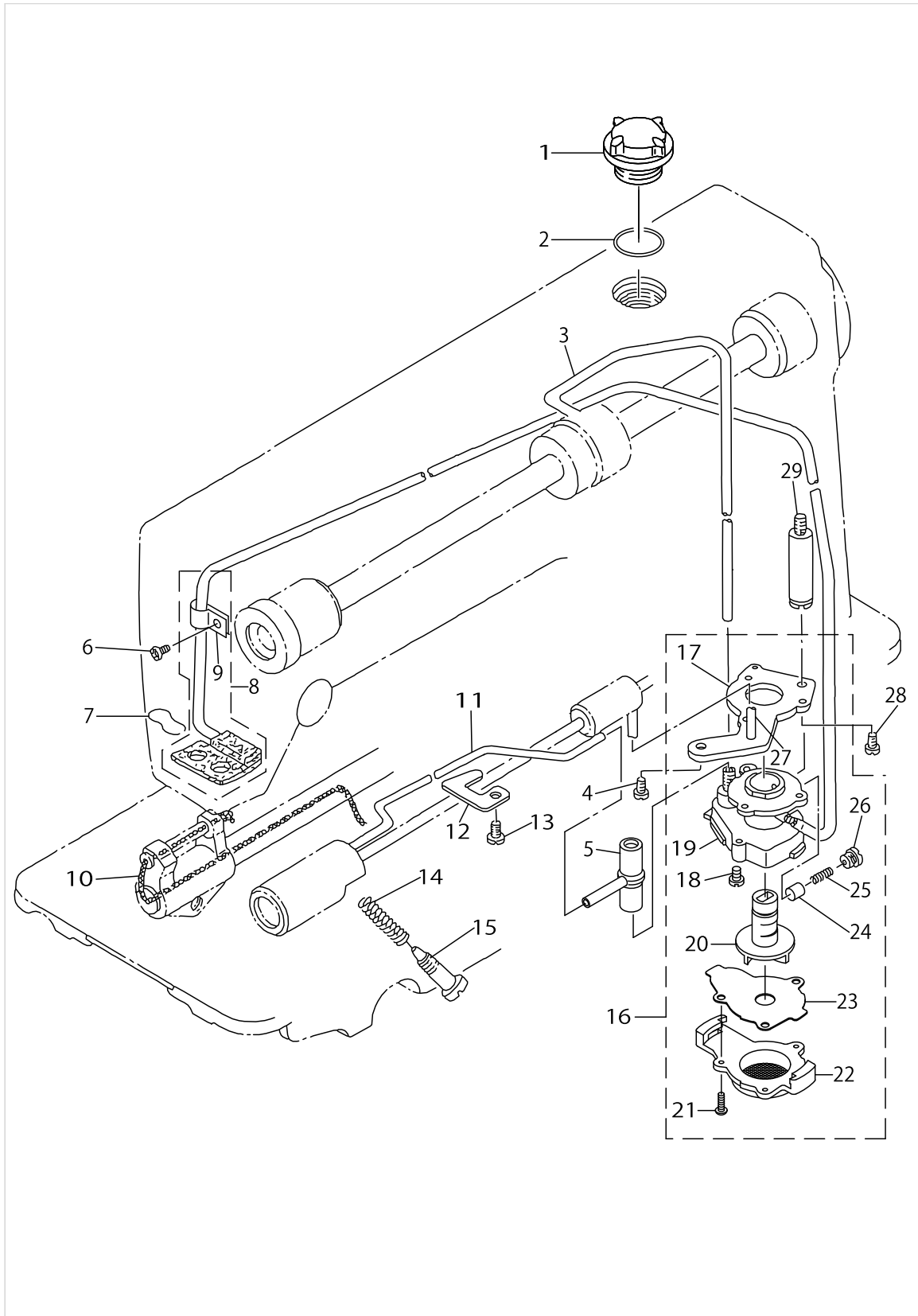
FEED MECHANISM COMPONENTS



FEED MECHANISM COMPONENTS

No.	Supply Code	Parts No.	Replacement	Parts name	Remarks	Choice	Step	Level	Cons	Qty	Rep. QTY
47	R	SS7111120SP	SS7111120TP	SCREW 11/64-40 L=10.5				*		1	1.00
48		22913008		FEED ROCKER SHAFT BUSHING						1	
49		22904155		MAIN SHAFT THRU-ST COLLAR ASM.						1	
50		SS8660610TP		SCREW 1/4-40 L=6				*		2	
51		RO078190100		RUBBER RING						1	
52		SS7620750SP		SCREW 3/16-32 L=6.5						1	
53		WZ1250300K0		WAVED WASHER 12.5X17X0.3						1	

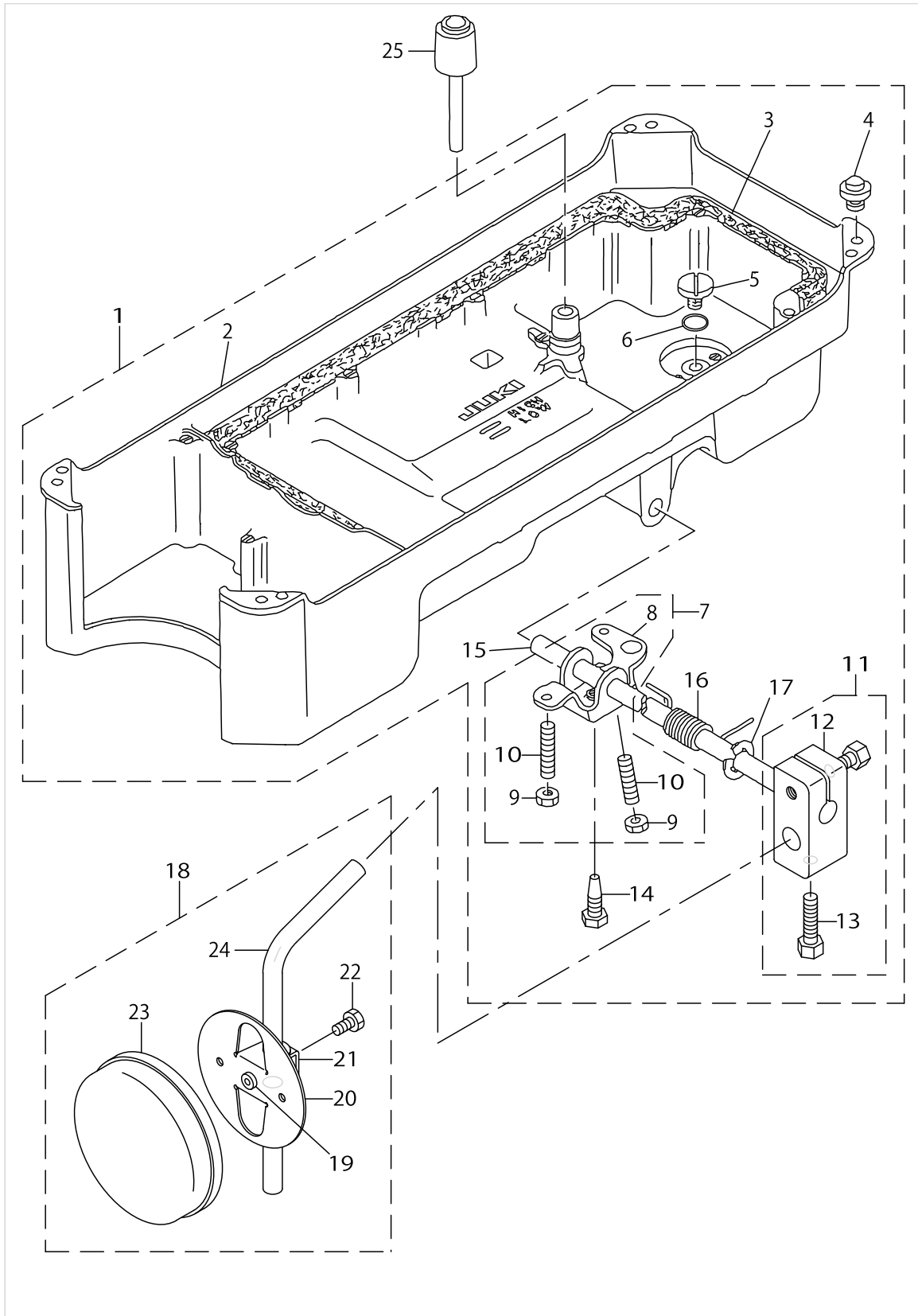
OIL LUBRICATION COMPONENTS



OIL LUBRICATION COMPONENTS

No.	Supply Code	Parts No.	Replacement	Parts name	Remarks	Choice	Step	Level	Cons	Qty	Rep. QTY
1	R	B3530555000	22924708	OIL SIGHT WINDOW						1	1.00
2		RO195240100		RUBBER RING						1	
3		22924401		MAINSHAFTOILTUBE						1	
4		SS4150915SP		SCREW 15/64-28 L=9						1	
5		22924609		RUBBER JOINT						1	
6		SS4120615SP		SCREW 3/16-28 L=6						1	
7		22925101		OIL FELT PRESSER						1	
8		22924153		RETURN PIPE ASM.						1	
9		22924302		RETURN PIPE HOLDER				*		1	
10		CQ252000000		OIL WICK						.3	
11		22924500		HOOK OIL TUBE						1	
12		22924807		PIPEHOLDER,LOWER						1	
13		SS4150915SP		SCREW 15/64-28 L=9						1	
14		22924906		OIL REGULATOR SCREW SPRING						1	
15		22925002		OIL REGULATOR SCREW						1	
16		22923056		OIL PUMP ASM.						1	
17	R	22923304	22923056	PUMP BODY INSTALLING PLATE				*		1	1.00
18		SL4030851SF		SCREW M3 L=8				*		3	
19	R	22923007	22923056	PUMP BODY				*		1	1.00
20		22923700		IMPELLER				*		1	
21		SE4301041SR		SCREW D=3 L=10				*		3	
22		22923205		PUMP BODY COVER				*		1	
23		22923809		PUMP BODY SUPPORT PLATE				*		1	
24		22923403		PLUNGER				*		1	
25		22923601		PLUNGER SPRING				*		1	
26		22923502		PLUNGER SCREW				*		1	
27		22923908		HOOK DRIVING SH-AFT OILING PIPE				*		1	
28		SS6111010TP		SCREW 11/64-40 L= 9.5						1	
29		22924005		PUMP BODY STRUT						1	

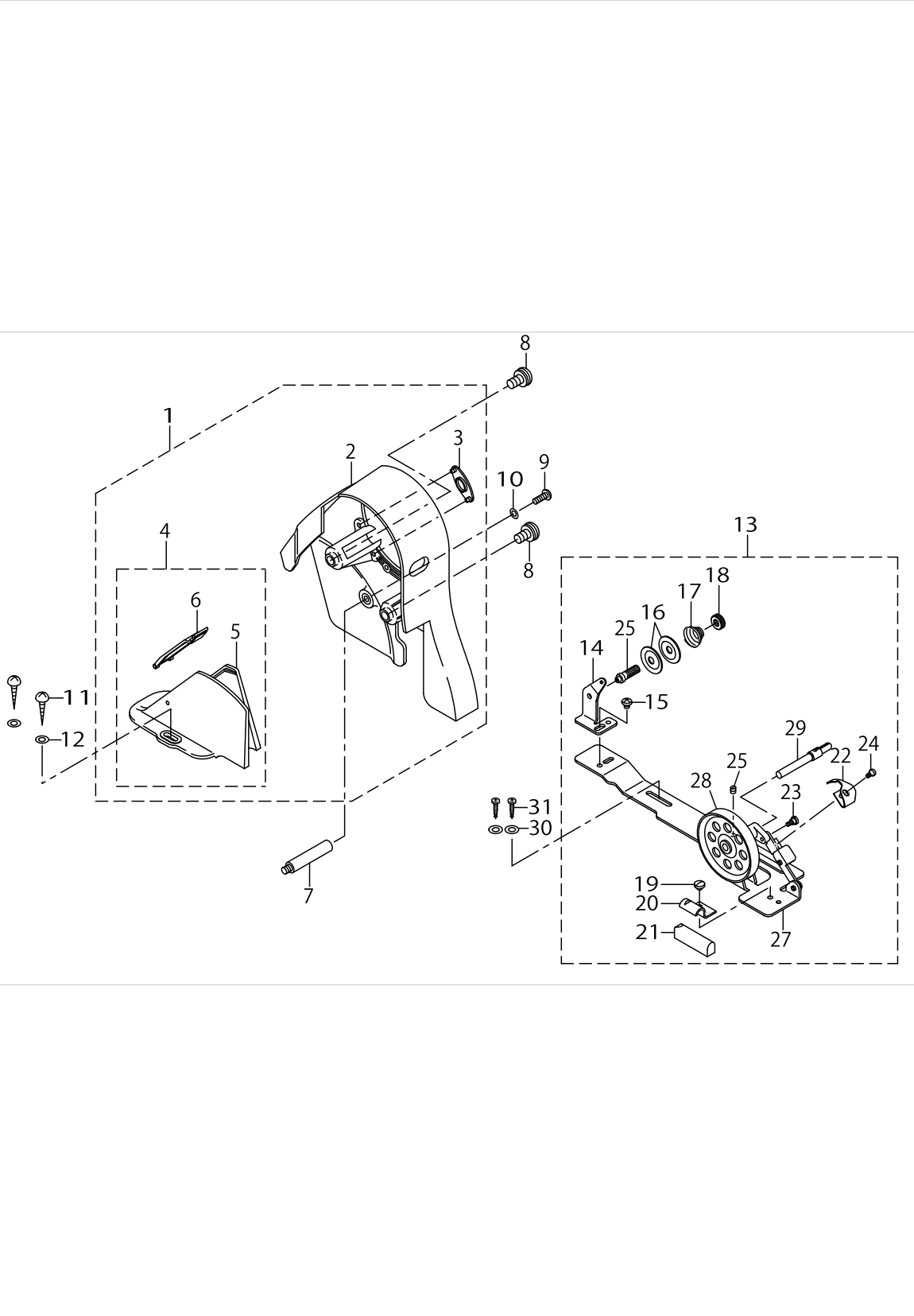
OIL RESERVOIR COMPONENT



OIL RESERVOIR COMPONENT

No.	Supply Code	Parts No.	Replacement	Parts name	Remarks	Choice	Step	Level	Cons	Qty	Rep. QTY
1	R	11047057	40102085	OIL RESERVOIR ASM.						1	1.00
2	R	11023017	40102085	OIL RESERVOIR				*		1	1.00
3		11024700		GASKET				*		1	
4		11047107		RUBBER CUSHION				*		4	
5		SS6700710SH		SCREW 5/16-24 L=7				*		1	
6		RO098240100		RUBBER RING				*		1	
7		22932156		KNEE LIFTER ROTATION ARM ASM.				*		1	
8	R	22932107	22932156	KNEE LIFTING ROTATING ARM				*		1	1.00
9		NM6060001SE		NUT M6				*		2	
10		SM8063012TR		SCREW M6 L=30				*		2	
11		22932453		BRACKET ASM.				*		1	
12	R	22932404	22932453	BRACKET				*		1	1.00
13		22934707		SCREW				*		2	
14		SM9061853SR		SCREW M6 L=17.5				*		1	
15		22932305		KNEE PRESS ROD				*		1	
16		22932206		SPRING				*		1	
17		RE1000000K0		E-RING 10				*		1	
18		22934251		KNEE PAD PLATE ASM.						1	
19		22934400		KNEE PAD PLATE RUBBER				*		1	
20		22934202		KNEE PAD PLATE				*		1	
21		22934301		KNEE PAD PLATE SUPPORT				*		1	
22		SM9061203SE		SCREW M6 L=12				*		1	
23		22934509		KNEE PAD PLATE COVER				*		1	
24		22934608		KNEE PAD UPRIGHT SHAFT				*		1	
25	R	11024304	22931703	KNEE PRESS LIFTER ROD						1	1.00

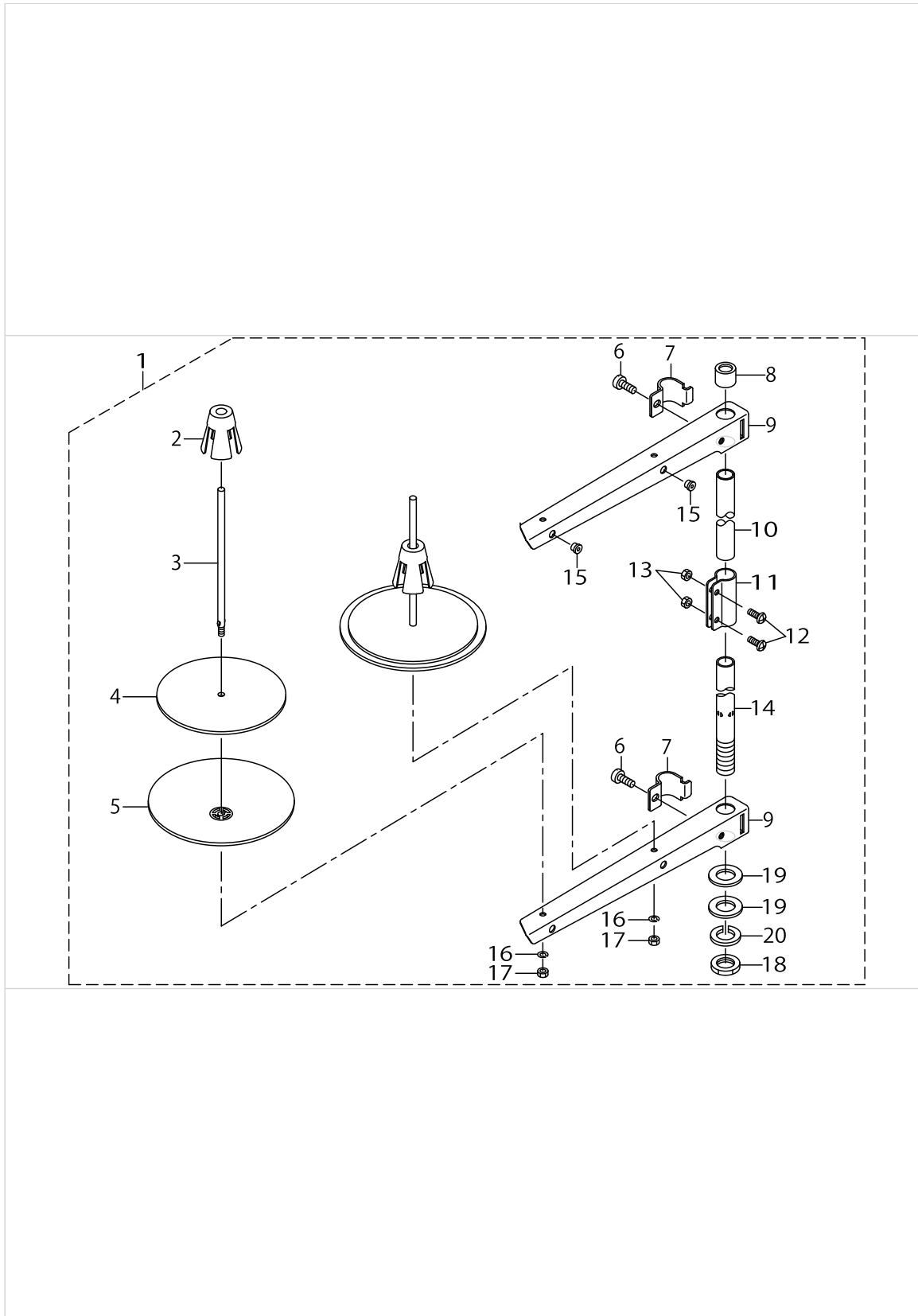
BELT COVER & BOBBIN WINDER COMPONENTS



BELT COVER & BOBBIN WINDER COMPONENTS

No.	Supply Code	Parts No.	Replacement	Parts name	Remarks	Choice	Step	Level	Cons	Qty	Rep. QTY
1	R	11076650	22933451	BELT COVER ASM. (URBANE GREY)						1	1.00
2	R	11076601	22933451	BELT COVER A				*		1	1.00
3	R	11076700	22933451	BELT COVER A CAP				*		1	1.00
4	R	11076858	22933659	BELT COVER B ASM.				*		1	1.00
5	R	11076809	22933659	BELT COVER B				*		1	1.00
6	R	11076957	22933659	BELT COVER B CAP ASM.				*		1	1.00
7	R	11023504	22933907	BELT COVER SUPPORT, A						1	1.00
8		11025202		BELT COVER A SCREW						2	
9		SS4121415SP		SCREW 3/16-28 L=14						1	
10		WP0501016SD		WASHER 5X10.5X1						1	
11	R	SK3412000SC	SK3412000SE	WOOD SCREW D=4.1 L=20						2	1.00
12		WP0450826SC		WASHER 4.5X10X0.8						2	
13		22927354		BOBBIN WINDER COMPL.						1	
14	R	22928501	11078250	THREAD TENSION POST BASE				*		1	1.00
15		SS4110515SP		SCREW 11/64-40 L=5				*		1	
16	R	22928907	22921506	THREAD TENSION DISK				*		2	1.00
17		22929004		THREAD TENSION SPRING				*		1	
18		22928808		NUT				*		1	
19		SS7110350SP		SCREW 11/64-40 L=3.5				*		1	
20	D	22928402		CONTROL RUBBER HOLDING PLATE				*		1	
21		22928303		CONTROL RUBBER				*		1	
22		22928105		BOBBIN PRESSER				*		1	
23		SD0490261SP		HINGE SCREW D=4.9 H=2.6				*		1	
24		SS7081310SP		SCREW 1/8-44 L=12.5				*		1	
25	R	22928709	11078250	THREAD TENSION POST				*		1	1.00
26	R	22927305	22927354	BOBBIN WINDER BASE				*		1	1.00
27		22927404		BOBBIN WINDER				*		1	
28		22927602		BOBBIN WINDER SPINDLE				*		1	
29	R	SS8110510SP	SS8110520TP	SCREW 11/64-40 L=5				*		1	1.00
30		WP0450826SC		WASHER 4.5X10X0.8						2	
31	R	SK3412000SC	SK3412000SE	WOOD SCREW D=4.1 L=20						2	1.00

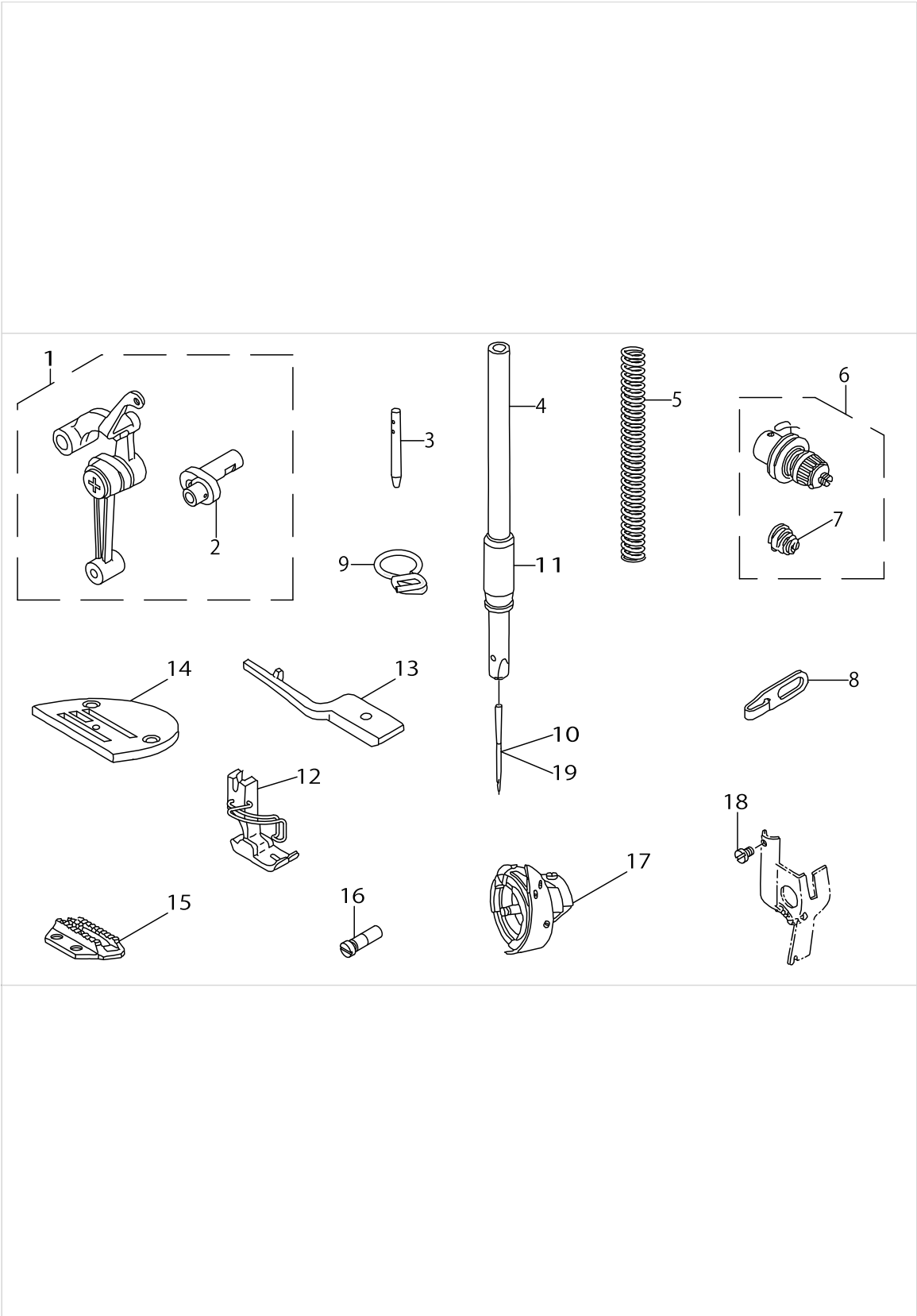
THREAD STAND COMPONENTS



THREAD STAND COMPONENTS

No.	Supply Code	Parts No.	Replacement	Parts name	Remarks	Choice	Step	Level	Cons	Qty	Rep. QTY
1	R	22930358	40096354	THREAD STAND ASM.						1	1.00
2	R	22931109	40085791	SPOOL RETAINER				*		2	1.00
3	R	22931000	40085790	SPOOL PIN				*		2	1.00
4		22930903		SPOOL REST CUSHION				*		2	
5		22930804		SPOOL REST				*		2	
6		SM6061610SC		SCREW M6 L=16				*		2	
7	R	22930705	40096354	THREAD GUIDE ARM JOINT				*		2	1.00
8		22931406		SPOOL REST ROD RUBBER CAP				*		1	
9	R	22930507	40096354	SPOOL REST ARM				*		2	1.00
10	R	22930408	40096354	SPOOL REST ROD, UPPER				*		1	1.00
11	R	22931307	40096354	SPOOL REST ROD JOINT				*		1	1.00
12		SM4051405SE		SCREW M5 L=14				*		2	
13		NM6050001SE		NUT M5				*		2	
14	R	22930309	40096354	SPOOL REST ROD, LOWER				*		1	1.00
15		22931208		THREAD GUIDE				*		2	
16		WS0510002KN		SPRING WASHER				*		2	
17		NM6050001SE		NUT M5				*		2	
18		NM6160511SE		NUT M16X1.5				*		1	
19		WP1612616SE		WASHER 16X30X2.6				*		2	
20	R	WS1643202KR	WP1612616SE	SPRING WASHER		A		*		1	2.00
20	R	WS1643202KR	40085796	SPRING WASHER		A		*		1	2.00

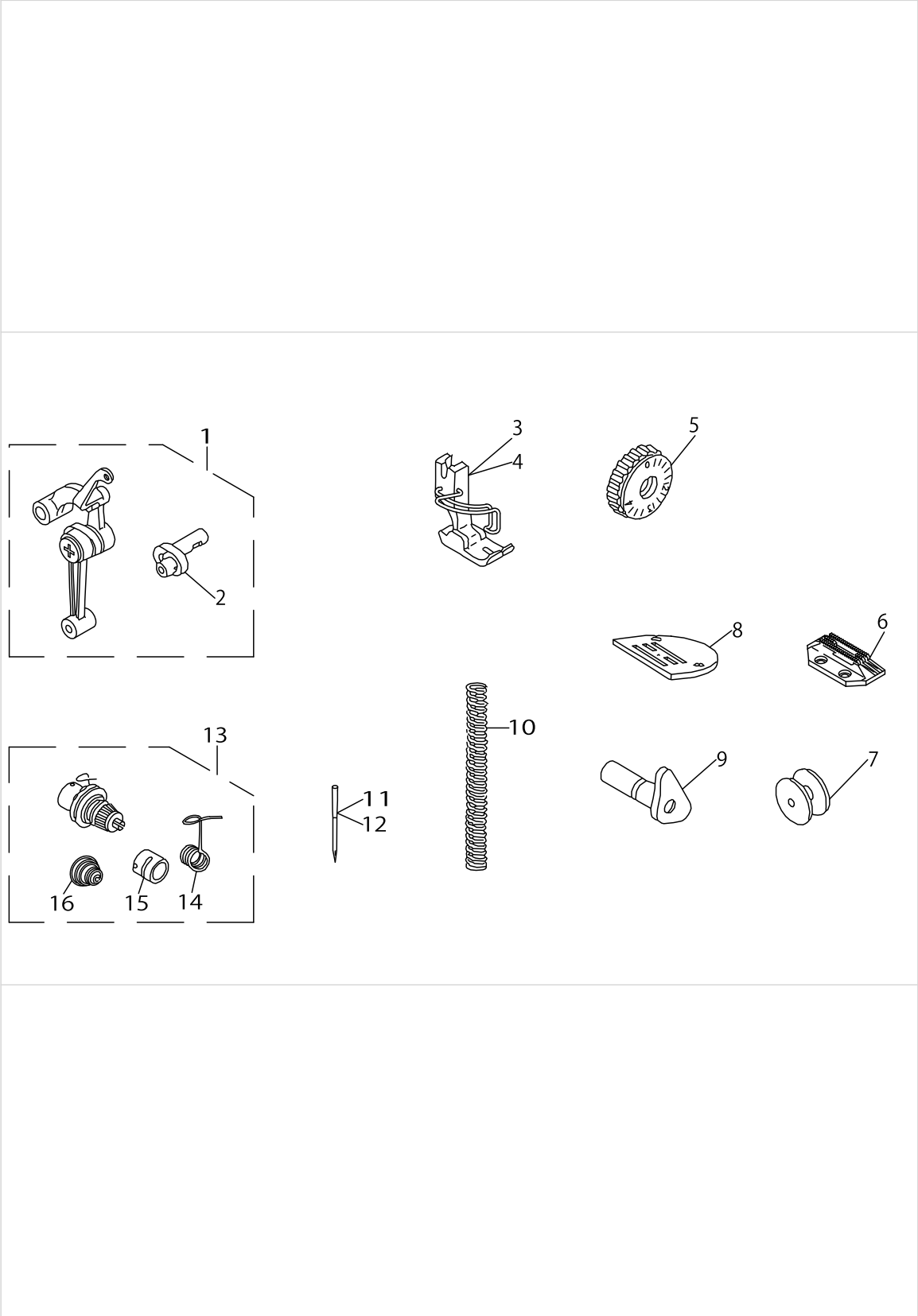
EXCLUSIVE PARTS FOR DDL-5530NH



EXCLUSIVE PARTS FOR DDL-5530NH

No.	Supply Code	Parts No.	Replacement	Parts name	Remarks	Choice	Step	Level	Cons	Qty	Rep. QTY
1	R	11091659	40103560	LINK THREAD TAKE- -UP LEVER ASM.						1	1.00
2	R	11091600	40109126	NEEDLEBARCRANKH				*		1	1.00
3		22958300		NEEDLE THREAD GUIDE PIN						1	
4	R	11091303	22970206	NEEDLE BAR						1	1.00
5		B1505552000A		PRESSER SPRING						1	
6	R	11073657	22962054	THREAD TENSION ASM.						1	1.00
7		B3114232000		THREAD TENSION SPRING				*		1	
8		11091006		ARM THREAD GUIDE (HA)						1	
9	R	B1419553000	40023223	NEEDLE BAR THREAD GUIDE						1	1.00
10		MC200501300		NEEDLE 134 NM130	FOR JE					1	
11		B1403553000		NEEDLE BAR BUSHING, LOWER						1	
12	R	D1524555EBL	D1524555ECL	PRESSER FOOT ASM.						1	1.00
13		11091709		POSITIONINGFINGER						1	
14		B1109555H0B		THROAT PLATE (H)						1	
15		B1613555H00		FEED DOG (H)						1	
16		B1213552000A		OIL ADJUSTING PIN						1	
17		11092459		LUBRICATING HOOK ASM.						1	
18		SS6080320SP		SCREW 1/8-44 L= 2.5						1	
19		MDB100B2100		NEEDLE DBX1 #21						1	

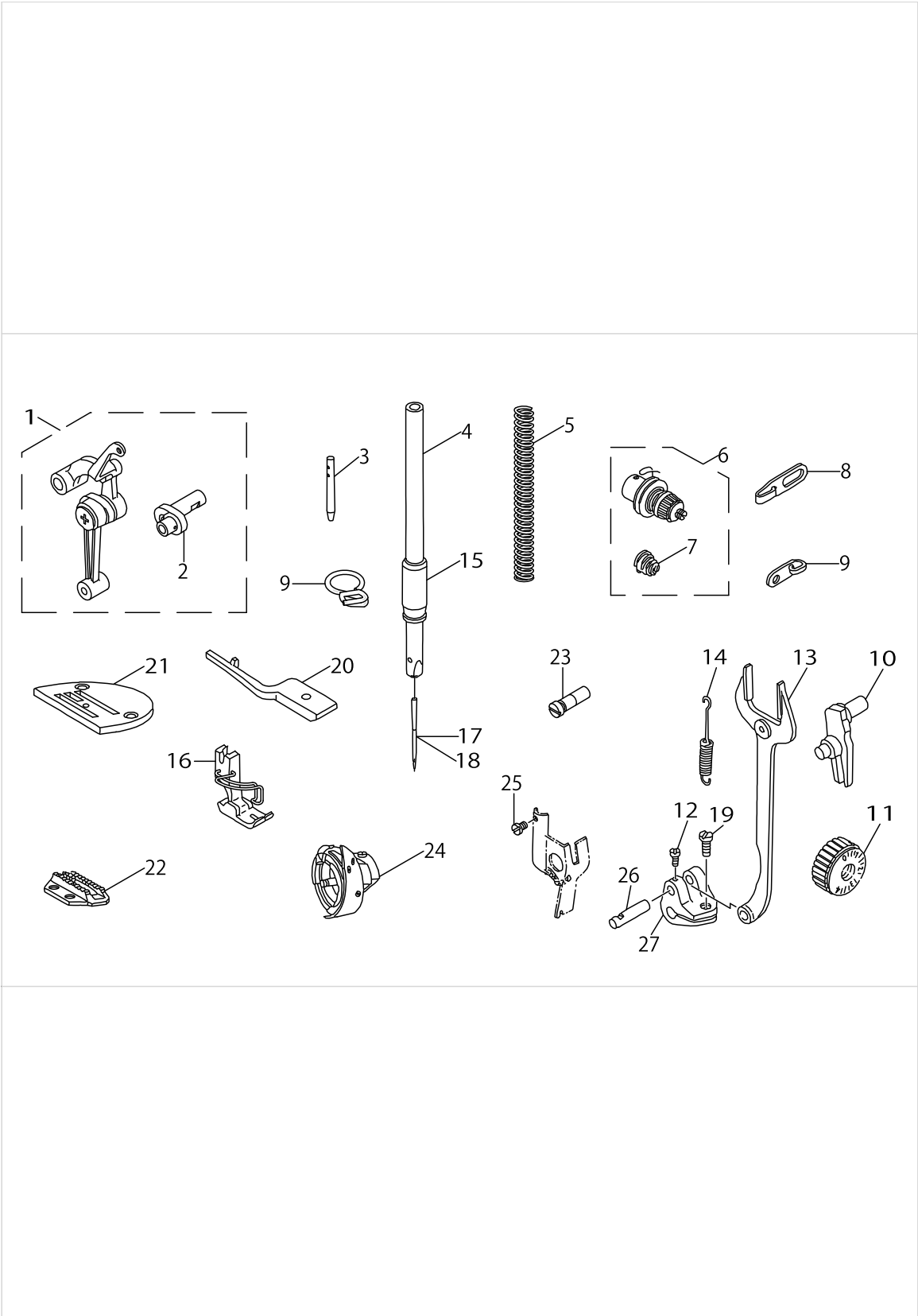
EXCLUSIVE PARTS FOR DDL-5530NA



EXCLUSIVE PARTS FOR DDL-5530NA

No.	Supply Code	Parts No.	Replacement	Parts name	Remarks	Choice	Step	Level	Cons	Qty	Rep. QTY
1	D	11091865		LINK THREAD TAKE-UP LEVER ASM.						1	
2		11091808		NEEDLEBARCRANKA				*		1	
3		11028172		PRESSER FOOT ASM.	FOR USE IN JAPAN					1	
4		B15240120BA		PRESSER FOOT ASM.						1	
5	R	11072006	22940506	FEED DIAL						1	1.00
6		B1613012I00		FEED DOG I						1	
7	R	B9117552A00	22964001	BOBBIN						1	1.00
8		B1109012I0B		THROAT PLATE (I)						1	
9		11092558		HAND LIFTER CAM ASM.						1	
10		B1505227T00A		PRESSER SPRING T						1	
11		MDA100B0900		NEEDLE DAX1 #9						1	
12		MC200500650		NEEDLE 134 NM65	FOR JE					1	
13	R	11073756	40011503	THREAD TENSION ASM.						1	1.00
14		D3128555D00		TAKE-UP SPRING				*		1	
15	R	B3111126000	22945307	TENSION POST SOCKET				*		1	1.00
16		D3129555D00		THREAD TENSION SPRING				*		1	

EXCLUSIVE PARTS FOR DDL-5530NL



EXCLUSIVE PARTS FOR DDL-5530NL

No.	Supply Code	Parts No.	Replacement	Parts name	Remarks	Choice	Step	Level	Cons	Qty	Rep. QTY
1	R	11091659	40103560	LINK THREAD TAKE- -UP LEVER ASM.						1	1.00
2	R	11091600	40109126	NEEDLEBARCRANKH				*		1	1.00
3		22958300		NEEDLE THREAD GUIDE PIN						1	
4	R	11091303	22970206	NEEDLE BAR						1	1.00
5		B1505552000A		PRESSER SPRING						1	
6	R	11073558	22962054	THREAD TENSION ASM.						1	1.00
7		B3114232000		THREAD TENSION SPRING				*		1	
8		11091006		ARM THREAD GUIDE (HA)						1	
9	R	B1419553000	40023223	NEEDLE BAR THREAD GUIDE						1	1.00
10	D	11060209		FEED REGULATOR, L						1	
11		11074804		FEED DIAL						1	
12	R	SS7110910SP	SS7110910TP	SCREW 11/64-40 L=8.5						1	1.00
13	D	11060001		PITMAN, L						1	
14		11060506		LEVER RETURN SPRING						1	
15		B1403553000		NEEDLE BAR BUSHING, LOWER						1	
16		B1524041EB0		PRESSER FOOT ASM.						1	
17		MDB100B2100		NEEDLE DBX1 #21						1	
18		MC200501300		NEEDLE 134 NM130	FOR JE					1	
19		SS6121210SP		SCREW 3/16-28 L=12						1	
20		11091709		POSITIONINGFINGER						1	
21		B1109555H0B		THROAT PLATE (H)						1	
22		B1609201000A		FEED DOG(A)						1	
23		B1213552000A		OIL ADJUSTING PIN						1	
24		11092459		LUBRICATING HOOK ASM.						1	
25		SS6080320SP		SCREW 1/8-44 L= 2.5						1	
26	D	B1607560000		FEED ROCKER SHAFT CRANK PIN						1	
27		11060100		FEED ROCK SHAFT CRANK						1	

LIST FOR INFORMATION OF CHANGE (1)

As to the place changed, refer to the corresponding Rev.No.
 When previous parts(Obsoleted part)and new parts(Added parts)are
 not interchangeable with each other:
 In this case,even obsoleted parts(D.)can be ordered with the
 obsoleted part number,so select the parts with changed dates and
 place your orders.

変更箇所は、該当Rev.No.版をご参照ください。
 部品の互換性がない変更の場合は、削除された品番でも、ご注文できます。

29134608
 No.0923-05 Rev.No.

*A:Added parts追加部品/D:Obsoleted parts削除部品/E:Erratum訂正

* Rev. No.	Page 頁	Ref. No.	Parts No. 品番	* Rev. No.	Page 頁	Ref. No.	Parts No. 品番
D 04	2	9	110-00619	A 05	2	9	110-03308
D 04	2	18	114-00405	A 05	2	18	229-00609
D 04	2	23	110-72253	A 05	2	23	229-45356
D 04	2	24	110-72204	A 05	2	24	229-21308
D 04	2	25	B3120-125-000	A 05	2	25	229-21407
D 04	2	26	B3129-012-A00	A 05	2	26	229-21704
D 04	2	27	B3132-552-000	A 05	2	27	229-21803
D 04	2	28	B3126-012-000	A 05	2	28	229-21506
D 04	2	29	B3115-552-000	A 05	2	29	229-21209
D 04	2	30	B3128-012-000	A 05	2	30	229-21605
D 04	2	31	B3111-552-B00	A 05	2	31	229-45307
D 04	2	33	SS-8150710-SP	A 05	2	33	SS-8150710-TP
D 04	2	34	B3118-552-E00	A 05	2	34	229-20904
D 04	2	45	110-01104	A 05	2	45	229-01003
D 04	2	48	114-15205	A 05	2	48	229-01904
D 04	4	1	SS-8151150-SP	A 05	4	1	SS-8151150-TP
D 04	4	22	CS-147121A-SH	A 05	4	22	229-04155
D 04	4	25	110-02300	A 05	4	25	229-03306
D 04	4	31	110-03001	A 05	4	31	229-03900
D 04	6	1	B1405-012-000	A 05	6	1	229-01409
D 04	6	26	110-15108	A 05	6	26	110-15807
D 04	6	36	110-15955	A 05	6	36	229-16555
D 04	6	38	B1808-552-000	A 05	6	38	229-16506
D 04	6	40	B9117-012-000	A 05	6	40	229-32909
D 04	6	44	MDP-500B1400				
D 04	8	1	110-71800	A 05	8	1	229-07802
D 04	8	11	110-07101	A 05	8	11	229-08909
D 04	8	20	110-18306	A 05	8	20	229-20300
D 04	8	23	110-71602	A 05	8	23	229-07505
D 04	8	24	110-71701	A 05	8	24	229-07604
D 04	8	33	SS-7091110-SP	A 05	8	33	SS-7091110-TP
D 04	10	14	110-52701	A 05	10	14	229-12000
D 04	10	40	B1613-552-000	A 05	10	40	B1613-012-100
D 04	10	53	B1613-012-100				
D 04	12	5	110-21409	A 05	12	5	229-24609
D 04	12	15	B3514-412-000	A 05	12	15	229-25002

HOW TO MAKE USE OF THIS PARTS LIST

1.Explanation of codes

1)"*"mark.....means this part is changed from the previous parts book.

As to the details of the change, refer to the "List for information of change".

2)"#01".....refer to "Note" explanation at bottom of page.

2.Codes on the "Qty" column

- Each numeral indicates the number of parts required.
- "0.1" and "2.5" indicate the length (in meters) of the respective parts.

3.Parentheses mean that the corresponding part is a subpart that constructs an assembly part.

4.Dotted lines on the Figures indicate assembly parts.

1."注記"欄の記号説明

1) "*"印.....前回のパーツブックに比較して今回変更された部品を意味します。

変更内容は、"変更情報リスト"を参照してください。

2) "#01".....ページ下の"注記"の説明を参照してください。

2.数量欄の数字は、個数を表し、0.1、2.5等の数値は、長さ（単位メートル）を表します。

3.数量欄の（ ）は、組部品を構成している子部品であることを意味します。

4.イラストページの-----枠は、組構成であることを意味します。

NUMERICAL INDEX OF PARTS

PART NO	PAGE	REF NO.	PART NO	PAGE	REF NO.	PART NO	PAGE	REF NO.
10004109	4	53	11070851	2	1	22904155	12	49
11000304	2	2	11070901	2	8	22904155	14	49
11001500	2	22	11071305	6	27	22905004	8	23
11002409	6	19	11072006	26	5	22905103	8	24
11002508	6	20	11073558	28	6	22906002	8	3
11002904	6	30	11073657	24	6	22906101	8	2
11003258	4	41·54	11073756	26	13	22906309	8	10
11003308	2	9	11074804	28	11	22906457	8	4
11004207	8	25	11076601	20	2	22907000	10	28
11005204	6	6	11076650	20	1	22907109	10	32
11006004	10	27	11076700	20	3	22907307	10	29
11006509	10	7	11076809	20	5	22907406	10	26
11007309	10	10	11076858	20	4	22907505	10	23
11010410	12	17	11076957	20	6	22907604	10	24
11010709	12	8	11091006	24	8	22907703	10	25
11015807	8	26	11091006	28	8	22907802	10	1
11015906	8	37	11091303	24	4	22908008	10	9
11017068	6	4	11091303	28	4	22908156	10	5
11017076	6	3	11091600	24	2	22908305	10	15
11018009	10	21	11091600	28	2	22908552	10	4
11018108	10	22	11091659	24	1	22908800	10	13
11018207	10	17	11091659	28	1	22908909	10	11
11018405	10	18	11091709	24	13	22909006	10	14
11023017	18	2	11091709	28	20	22911705	12	5
11023504	20	7	11091808	26	2	22911804	12	16
11024304	18	25	11091865	26	1	22911903	12	13
11024700	18	3	11092459	24	17	22912000	12	14
11025202	20	8	11092459	28	24	22912109	12	15
11028172	10	34	11092558	26	9	22912703	12	11
11028172	26	3	11141108	8	42	22912901	12	30
11047057	18	1	22900609	2	18	22913008	12	48
11047107	18	4	22900757	2	4	22913008	14	48
11050002	6	26	22901003	2	45	22913701	12	28
11050101	6	17	22901201	2	42	22915003	12	34
11050200	12	1	22901250	2	41·54	22915151	12	32
11050309	12	2	22901300	2	43	22915201	12	36
11050408	12	21	22901409	8	1	22915359	12	46
11050507	12	4	22901904	4	48	22916001	8	30
11050655	12	19	22903009	6	29	22916100	8	33
11050705	12	18	22903108	6	14	22916407	8	31
11053105	12	7	22903157	6	9	22916506	8	38
11060001	28	13	22903207	6	24	22916555	8	36
11060100	28	27	22903306	6	25	22917058	8	34
11060209	28	10	22903900	6	31	22917157	8	28
11060506	28	14	22904155	6	22	22919559	6	2

NUMERICAL INDEX OF PARTS

PART NO	PAGE	REF NO.	PART NO	PAGE	REF NO.	PART NO	PAGE	REF NO.
22920300	10	20	22930309	22	14	B13050120A0	8	14
22920508	2	21	22930358	22	1	B13061550A0	8	16
22920607	2	37	22930408	22	10	B13061550B0	8	13
22920706	2	17	22930507	22	9	B13061550C0	8	12
22920805	8	7	22930705	22	7	B13071550A0	8	19
22920904	2	34	22930804	22	5	B13071550B0	8	18
22921209	2	29	22930903	22	4	B13081550A0	8	21
22921308	2	24	22931000	22	3	B1403155000	8	8
22921407	2	25	22931109	22	2	B1403553000	24	11
22921506	2	28	22931208	22	15	B1403553000	28	15
22921605	2	30	22931307	22	11	B1408552000	6	7
22921704	2	26	22931406	22	8	B1414555000	8	6
22921803	2	27	22932107	18	8	B1419553000	24	9
22923007	16	19	22932156	18	7	B1419553000	28	9
22923056	16	16	22932206	18	16	B1505227T00A	26	10
22923205	16	22	22932305	18	15	B1505552000A	24	5
22923304	16	17	22932404	18	12	B1505552000A	28	5
22923403	16	24	22932453	18	11	B1521555000	10	2
22923502	16	26	22932503	2	13	B15240120BA	10	19
22923601	16	25	22932552	2	12	B15240120BA	26	4
22923700	16	20	22932602	2	14	B1524041EB0	28	16
22923809	16	23	22932701	2	15	B15245520BA	10	35
22923908	16	27	22932909	8	40	B1607560000	28	26
22924005	16	29	22934202	18	20	B1609201000A	28	22
22924153	16	8	22934251	18	18	B1613012A00	12	27
22924302	16	9	22934301	18	21	B1613012I00	12	40
22924401	16	3	22934400	18	19	B1613012I00	26	6
22924500	16	11	22934509	18	23	B1613555H00	24	15
22924609	16	5	22934608	18	24	B18301270A0	8	39
22924807	16	12	22934707	18	13	B18370120A0	8	41
22924906	16	14	22940654	12	43	B1903552000	6	8
22925002	16	15	22940803	12	23	B1905541B00	6	5
22925101	16	7	22945307	2	31	B3111126000	26	15
22927305	20	26	22945356	2	23	B3114232000	24	7
22927354	20	13	22958300	24	3	B3114232000	28	7
22927404	20	27	22958300	28	3	B3530555000	16	1
22927602	20	28	22971857	12	25	B9117552A00	26	7
22928105	20	22	B1109012A00	2	35	CM300200001	4	49
22928303	20	21	B1109012I0B	26	8	CM3002000B1	4	50
22928402	20	20	B1109552000	4	47	CM300200101	4	51
22928501	20	14	B1109555H0B	24	14	CM3002001A1	4	52
22928709	20	25	B1109555H0B	28	21	CQ252000000	16	10
22928808	20	18	B1213552000A	24	16	D1524555EBL	24	12
22928907	20	16	B1213552000A	28	23	D3128555D00	26	14
22929004	20	17	B1215552000	6	33	D3129555D00	26	16

NUMERICAL INDEX OF PARTS

PART NO	PAGE	REF NO.	PART NO	PAGE	REF NO.	PART NO	PAGE	REF NO.
MC200500650	26	12	SS4120915SP	8	27	TA2101002R0	2	11
MC200500750	8	43	SS4121415SP	20	9	WP0450826SC	20	30
MC200501300	24	10	SS4150915SP	16	13	WP0480856SP	12	45
MC200501300	28	18	SS6060210SP	2	44	WP0501016SD	20	10
MDA100B0900	26	11	SS6080320SP	24	18	WP1612616SE	22	19
MDB100B1400	8	11	SS6080320SP	28	25	WS0510002KN	22	16
MDB100B2100	24	19	SS6080410SP	2	3	WS1643202KR	22	20
MDB100B2100	28	17	SS6090670TP	8	5	WZ1250300K0	14	53
NM6050001SE	22	17	SS6090910SP	10	31			
NM6060001SE	18	9	SS6110420TP	8	29			
NM6160511SE	22	18	SS6110610TP	2	38			
NS6680410SP	12	31	SS6111010TP	16	28			
RC0150001KP	12	42	SS6121210SP	28	19			
RC1850001KP	6	21	SS6121860SP	12	12			
RC2501211KP	6	16	SS6661110SP	6	18			
RE0500000K0	10	16	SS6700710SH	18	5			
RE1000000K0	18	17	SS7080510TP	8	9			
RO029180100	6	32	SS7081310SP	20	24			
RO037180100	10	3	SS7091110TP	10	33			
RO044240100	6	12	SS7110350SP	20	19			
RO078190100	14	51	SS7110740TP	12	41			
RO092270200	12	29	SS7110910SP	28	12			
RO098240100	18	6	SS7111120SP	14	47			
RO195240100	16	2	SS7120770SH	12	6			
SD0380552SL	2	16	SS7121410TP	12	44			
SD0490261SP	20	23	SS7121610SP	12	33			
SD0720331SP	10	12	SS7620750SP	14	52			
SD1000801SH	12	35	SS7681650TP	6	13			
SE4301041SR	16	21	SS8090670SP	2	32			
SK3412000SC	20	31	SS8110410TP	8	35			
SL4030851SF	16	18	SS8110510SP	20	29			
SM4051405SE	22	12	SS8150710TP	2	33			
SM6061610SC	22	6	SS8151150TP	6	1			
SM8061010TP	12	9	SS8151550SP	6	28			
SM8061050TP	12	10	SS8660610TP	6	23			
SM8063012TR	18	10	SS8660610TP	12	50			
SM9061203SE	18	22	SS8660610TP	14	50			
SM9061853SR	18	14	SS8660810TP	8	22			
SS2110920TP	2	36	SS8660810TP	10	30			
SS4080620TP	12	26	SS8681650TP	6	10			
SS4110515SP	20	15	TA0850604R0	2	5			
SS4110915TP	8	32	TA0950806R0	2	46			
SS4120615SP	2	20	TA1250406R0	2	39			
SS4120615SP	16	6	TA1250705R0	2	6			
SS4120915SP	2	40	TA2000502R0	2	10			