

MODEL : DLM-5200N

List No : 0896-08

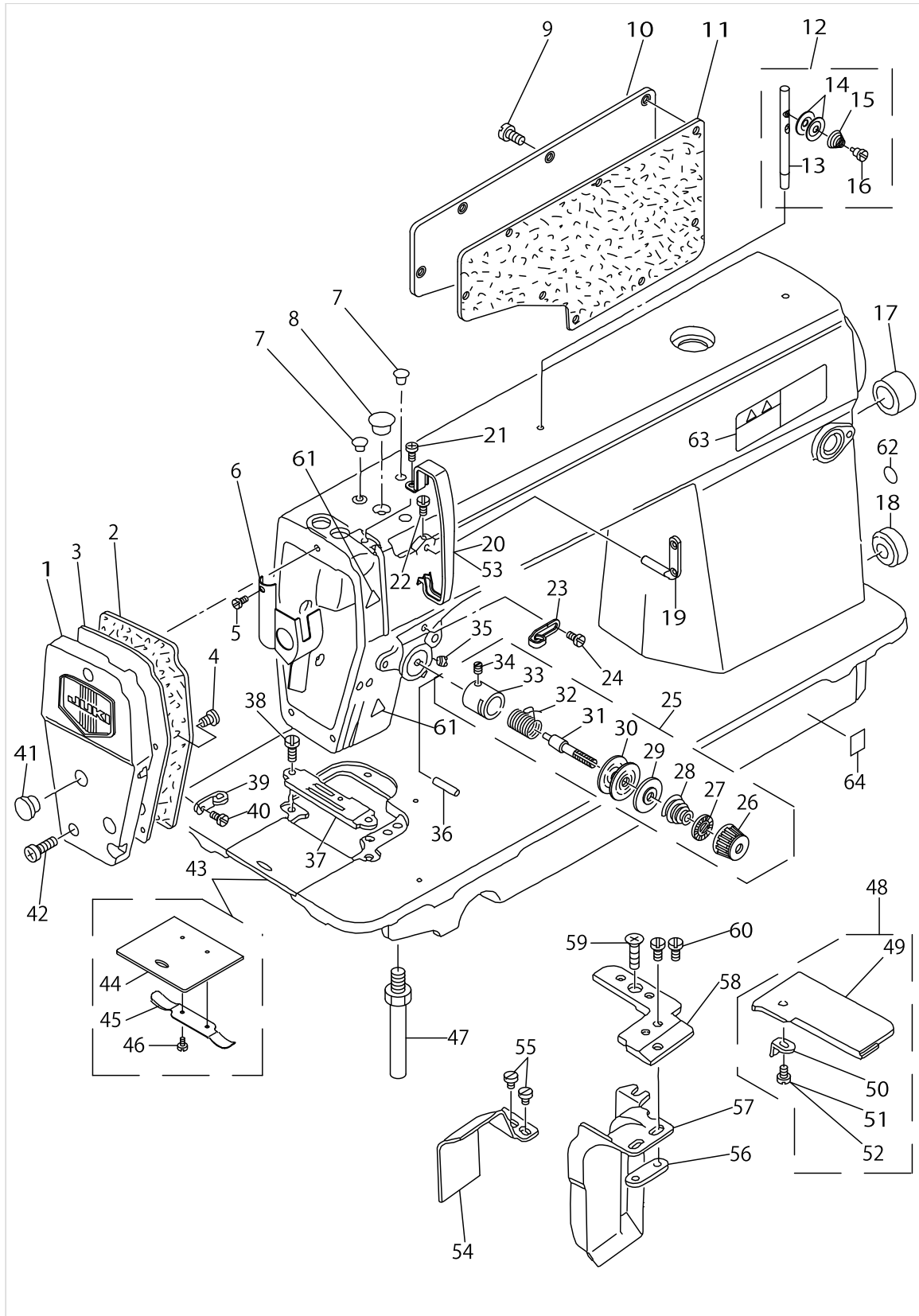
PARTS LIST

Published:05/12/2017

CONTENTS

MACHINE FRAME & MISCELLANEOUS COVER COMPONENTS	1
MAIN SHAFT & THREAD TAKE-UP LEVER COMPONENTS	5
NEEDLE BAR, UPRIGHT SHAFT & HOOK DRIVING SHAFT COMPONENTS	7
HAND LIFTER COMPONENTS	9
FEED MECHANISM COMPONENTS.....	11
KNIFE COMPONENTS.....	15
OIL LUBRICATION COMPONENTS	19
OIL RESERVOIR COMPONENTS	21
BELT COVER & BOBBIN WINDER COMPONENTS	23
THREAD STAND COMPONENTS.....	25
TABLE OF EXECHANGING GAUGES (1).....	27
TABLE OF EXECHANGING GAUGES (2).....	31
LIST FOR INFORMATION OF CHANGE.....	35
HOW TO MAKE USE OF THIS PARTS LIST	36

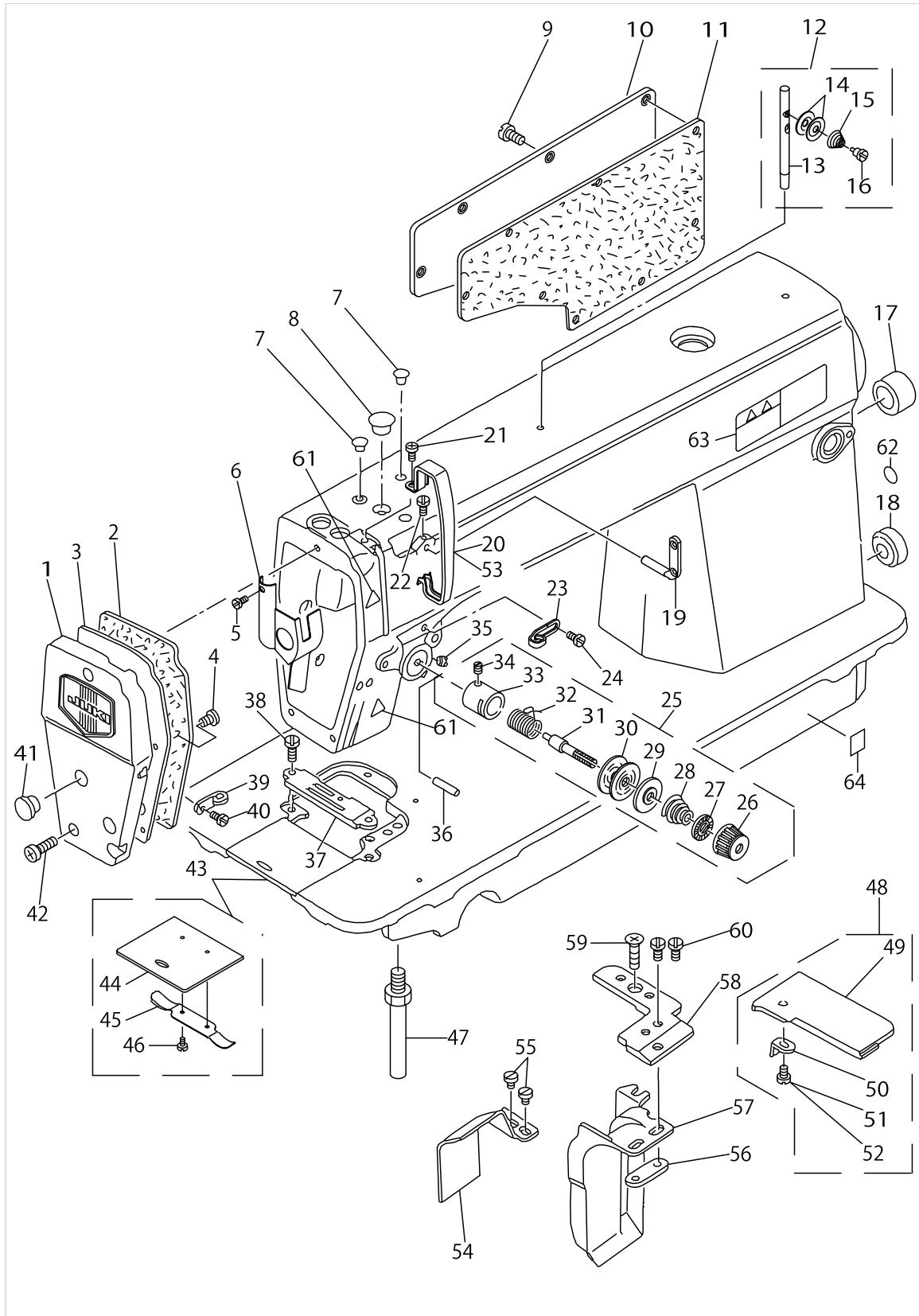
MACHINE FRAME & MISCELLANEOUS COVER COMPONENTS



MACHINE FRAME & MISCELLANEOUS COVER COMPONENTS

No.	Supply Code	Parts No.	Replacement	Parts name	Remarks	Choice	Step	Level	Cons	Qty	Rep. QTY
1		11336559		FACE PLATE ASM.						1	
2		11000304		FACE PLATE GASKET						1	
3		11330602		FACE PLATE COVER						1	
4		SS1110840SP		SCREW 11/64-40 L=8						3	
5		SS6080410SP		SCREW 1/8-44 L=4						1	
6		22900757		FACE PLATE OIL SHIELD ASM.						1	
7		TA0850604R0		RUBBER PLUG						2	
8		TA1250705R0		RUBBER PLUG						1	
9		SS4120915SP		SCREW 3/16-28 L=9						8	
10		22900401		WINDOW PLATE						1	
11		11003308		GASKET						1	
12		22932552		NEEDLE THREAD GUIDE PIN ASM.						1	
13	R	22932503	22932552	THREAD GUIDE ROD				*		1	1.00
14	D	22932602		THREAD GUIDE DISK				*		2	
15	R	22932701	26021600	THREAD GUIDE DISK SPRING				*		1	1.00
16		SD0380552SL		HINGE SCREW D=3.8 H=5.5				*		1	
17		TA2000502R0		RUBBER PLUG						1	
18		TA2101002R0		RUBBER PLUG						1	
19		22920706		TWO EYELET						1	
20		22900609		THREAD TAKE-UP LEVER COVER						1	
21		SS4120615SP		SCREW 3/16-28 L=6						1	
22		SS4120615SP		SCREW 3/16-28 L=6						1	
23		22920508		ARMTHREADGUIDEA						1	
24		22921001		SCREW						1	
25		22945356		THREAD TENSION ASM.						1	
26		22921308		THREAD TENSION NUT				*		1	
27		22921407		ROTATION STOPPER				*		1	
28		22921704		THREAD TENSION SPRING A				*		1	
29		22921803		DISK STOPPER				*		1	
30		22921506		THREAD TENSION DISK				*		2	
31		22921209		THREAD TENSION POST				*		1	
32		22921605		THREAD TAKE-UP SPRING				*		1	
33		22945307		THREAD TENSION POST BASE				*		1	
34		SS8090670SP		SCREW 9/64-40 L=5.5				*		1	
35		SS8150710TP		SCREW 15/64-28 L=7						1	
36		22920904		PIN						1	
37		B1190522S00		GAUGE PLATE 1/8 S	SEE THE TABLE OF EXCHANGING GAUGES					1	
38		SS2110920TP		SCREW 11/64-40 L=8.5						2	
39		11331402		ARMTHREADGUIDEB						1	
40		SS6110610TP		SCREW 11/64-40 L=6						1	
41		TA1250406R0		RUBBER PLUG D=12.5 L=4						2	
42		SS4121615SP		SCREW 3/16-28 L=16						3	
43		22901250		SLIDE PLATE ASM.						1	
44	R	22901201	22901250	SLIDE PLATE				*		1	1.00
45		22901300		SLIDE PLATE SPRING				*		1	

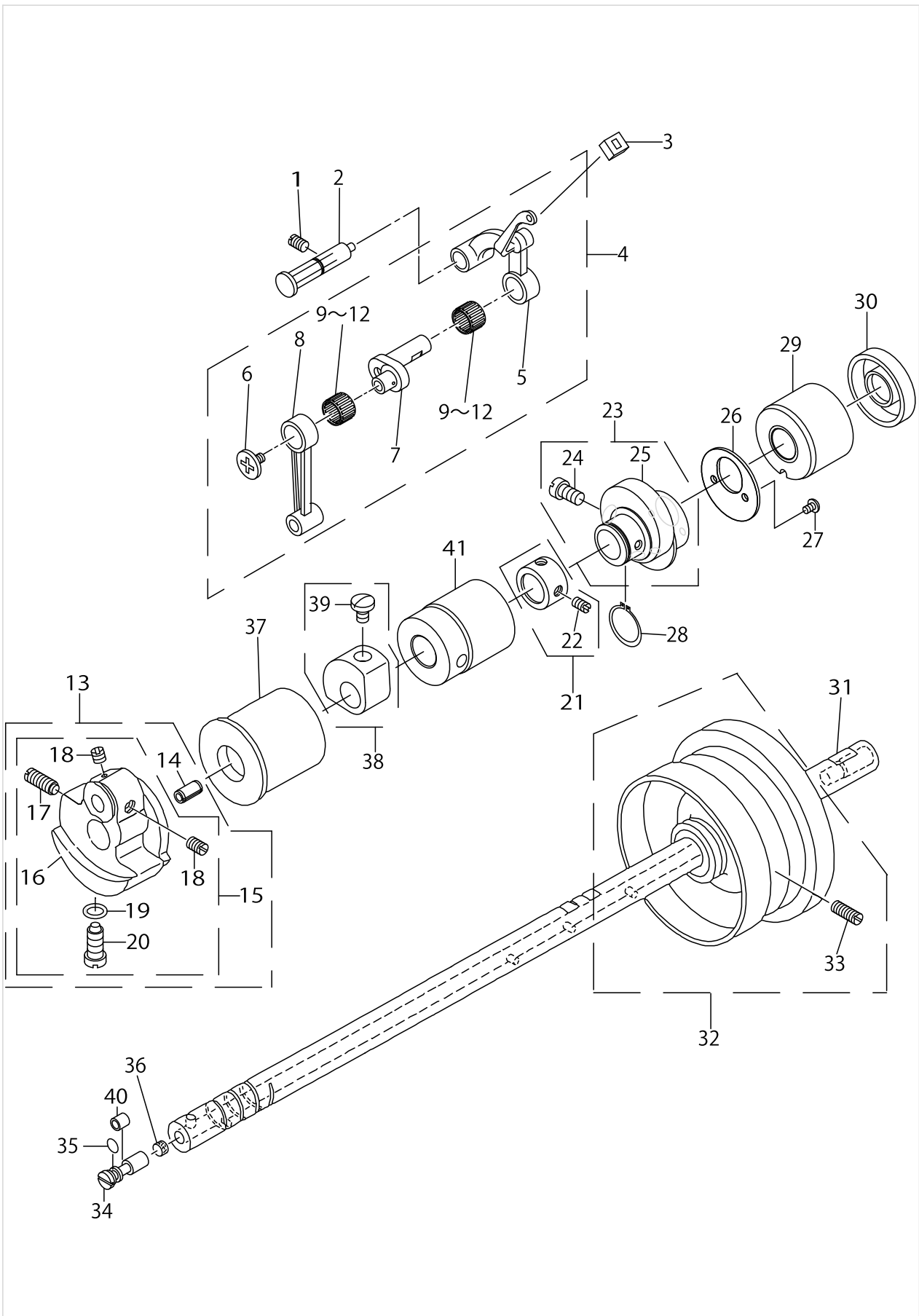
MACHINE FRAME & MISCELLANEOUS COVER COMPONENTS



MACHINE FRAME & MISCELLANEOUS COVER COMPONENTS

No.	Supply Code	Parts No.	Replacement	Parts name	Remarks	Choice	Step	Level	Cons	Qty	Rep. QTY
46		SS6060210SP		SCREW 3/32-56 L=1.9				*		2	
47		22901003		BED SCREW STUD						4	
48		B11155310AD		THROAT PLATE COVER ASM.	SEE THE TABLE OF EXCHANGING GAUGES					1	
49		B111553100D		THROAT PLATE COVER.				*		1	
50		B1115522000A		OPENCOVERSPRING				*		1	
51		SS6080320SP		SCREW 1/8-44 L=2.5				*		1	
52		SS4080310SP		SCREW 1/8-44 L=3.4				*		1	
53		11415205		THREAD TAKE-UP LEVER COVER(JE)	FOR JE					1	
54		11346400		WASTE MATERIAL GUIDE	SEE THE TABLE OF EXCHANGING GAUGES					1	
55		SS6080410SP		SCREW 1/8-44 L=4						2	
56		B1193530000		WASTE MATERIAL GUARD PLATE						1	
57		11346905		WASTE MATERIAL GUARD E	SEE THE TABLE OF EXCHANGING GAUGES					1	
58		11346004		NEEDLE PLATE A	SEE THE TABLE OF EXCHANGING GAUGES					1	
59		SS2110920TP		SCREW 11/64-40 L=8.5						2	
60		SS6080410SP		SCREW 1/8-44 L=4						2	
61		CM300200001		ATTENTION SEAL						2	
62		22901805		GROUND MARK						1	
63		CM301300001		SAFETY LABEL						1	
64		40116677		GOST_SAFTY_LABEL_S	FOR JE					1	

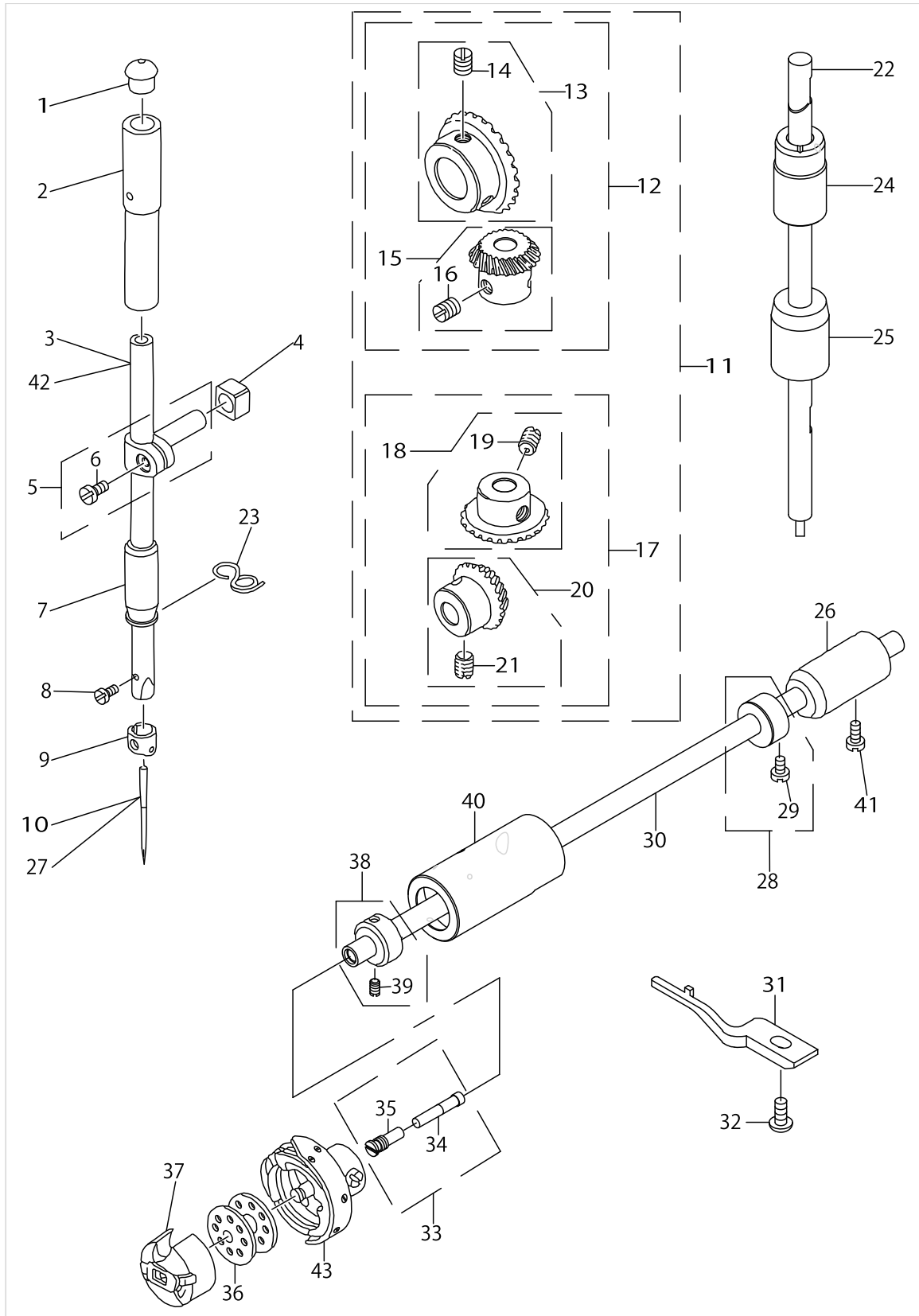
MAIN SHAFT & THREAD TAKE-UP LEVER COMPONENTS



MAIN SHAFT & THREAD TAKE-UP LEVER COMPONENTS

No.	Supply Code	Parts No.	Replacement	Parts name	Remarks	Choice	Step	Level	Cons	Qty	Rep. QTY
1		SS8151150TP		SCREW 15/64-28 L=10.5						1	
2		11017357		THREAD TAKE-UP CRANK SHAFT ASM.						1	
3		22919203		OIL PROTECTING RUBBER						1	
4		22918072		THREAD TAKE-UP LEVER COMPL.						1	
5	R	22918064	22918072	THREAD TAKE-UP LEVER ASM.				*		1	1.00
6	R	22918304	B1903552000	LEFT SCREW				*		1	1.00
7		22918106		NEEDLE BAR CRANK				*		1	
8		22906606		NEEDLE BAR CRANK ROD				*		1	
9		22918403		NEEDLE BEARING A	SELECTIVE PART(A~D)			*		2	
10		22918502		NEEDLE BEARING B	SELECTIVE PART(A~D)			*		2	
11		22918601		NEEDLE BEARING C	SELECTIVE PART(A~D)			*		2	
12		22918700		NEEDLE BEARING D	SELECTIVE PART(A~D)			*		2	
13		40097022		COUNTER WEIGHT LM COMPL.						1	
14		PS0400082KP		SPRING PIN				*		1	
15	R	40095783	40097022	COUNTER WEIGHT_LM ASM.				*		1	1.00
16		40095784		COUNTER WEIGHT_LM				*		1	
17		SS8681650TP		SCREW 9/32-28 L=16				*		1	
18		SS8660610TP		SCREW 1/4-40 L=6				*		2	
19		RO044240100		RUBBER RING				*		1	
20		SS7681650TP		SCREW 9/32-28 L=16				*		1	
21		22904155		MAIN SHAFT THRU-ST COLLAR ASM.						1	
22		SS8660610TP		SCREW 1/4-40 L=6				*		2	
23		22910053		FEED DRIVE ECCENTRIC CAM ASM.						1	
24		SS6661110SP		SCREW 1/4-40 L=11				*		2	
25	R	22910004	22910053	FEED DRIVE ECCENTRIC CAM				*		1	1.00
26		22910103		THRUST COLLAR						1	
27		SS4090615SP		SCREW 9/64-40 L=6						2	
28		RC1850001KP		SNAP RING 18.5						1	
29		11002409		MAIN SHAFT BUSHING REAR						1	
30		40105231		OIL SEAL						1	
31		11349008		MAIN SHAFT						1	
32		11071362		FLYWHEEL ASM.						1	
33		SS8151550SP		SCREW15/64-28L=15				*		2	
34		22903900		ADJUSTING PIN						1	
35		RO029180100		RUBBER RING						1	
36		11002904		ROLLER FELT						1	
37		11349107		BUSHING FRONT						1	
38		11349453		BALANCER ASM.						1	
39		SS7150940SP		SCREW 15/64-28 L=9				*		2	
40		B1215552000		OIL ADJUSTING COLLAR						1	
41		22903306		BUSHING INTERMEDIATE						1	

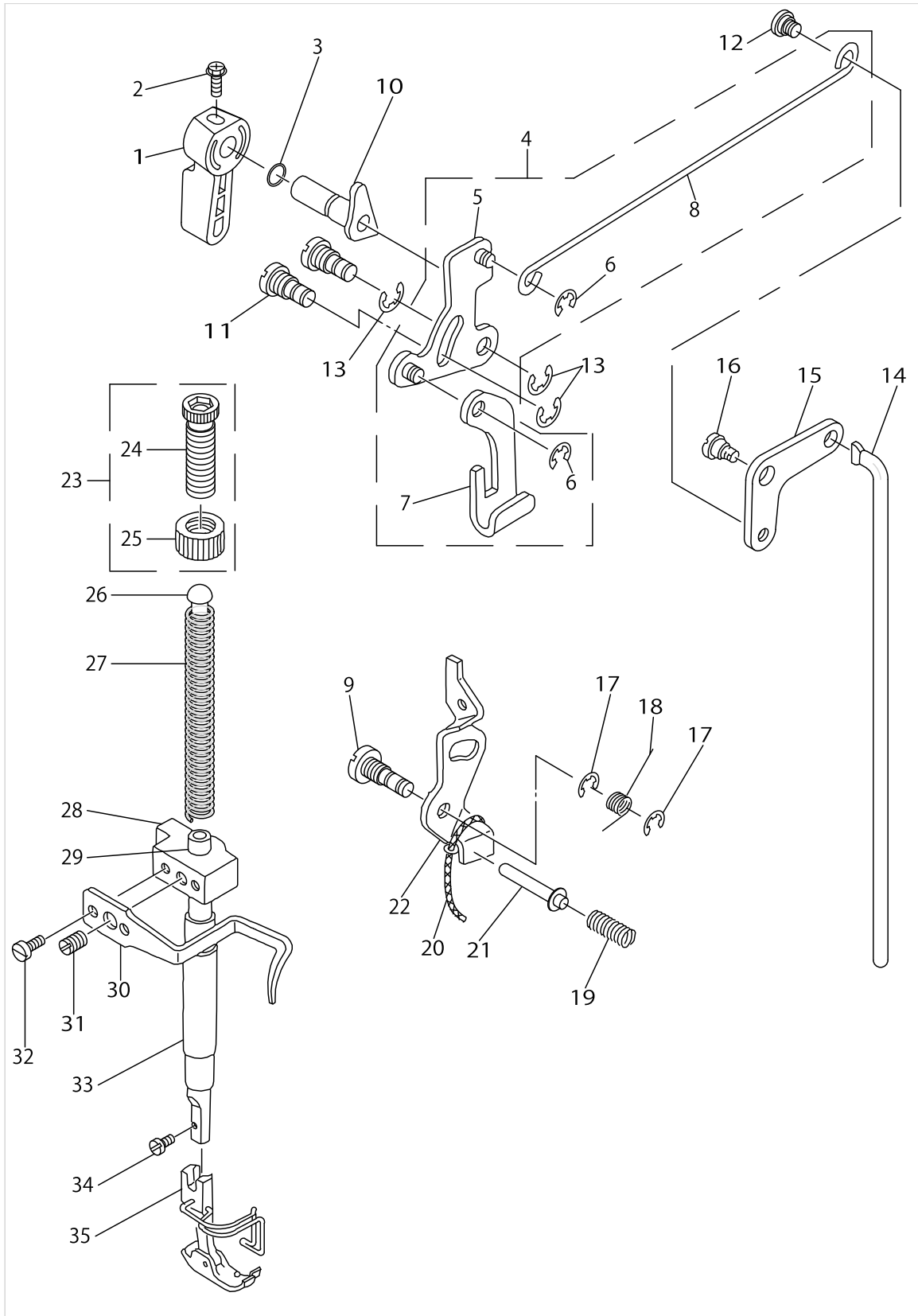
NEEDLE BAR, UPRIGHT SHAFT & HOOK DRIVING SHAFT COMPONENTS



NEEDLE BAR, UPRIGHT SHAFT & HOOK DRIVING SHAFT COMPONENTS

No.	Supply Code	Parts No.	Replacement	Parts name	Remarks	Choice	Step	Level	Cons	Qty	Rep. QTY
1		22901409		NEEDLE BAR UPPER BUSH CAP						1	
2		22906101		NEEDLE BAR BUSHING UPPER						1	
3		B1401522A00A		NEEDLE BAR (A)						1	
4		40090058		SLIDE BLOCK						1	
5		22906457		NEEDLE BAR HOLDER ASM.						1	
6		SS6090670TP		SCREW 9/64-40 L=6				*		1	
7		22906200		NEEDLE BAR BUSHING LOWER						1	
8		SS7080510TP		SCREW 1/8-44 L=4.5						1	
9		11331204		NEEDLE BAR THREAD GUIDE						1	
10		MDB100B1400		NEEDLE DBX1 #14						1	
11	R	B13061550C0	B13071550C0	GEAR & PINION ASM.						1	1.00
12		B13061550B0		GEAR & PINION ASM. UPPER				*		1	
13		B13050120A0		GEAR ASM.				*		1	
14		SS8660810TP		SCREW 1/4-40 L=8				*		2	
15		B13061550A0		PINION ASM.				*		1	
16		SS8660810TP		SCREW 1/4-40 L=8				*		2	
17		B13071550B0		GEAR & PINION ASM. LOWER				*		1	
18		B13071550A0		GEAR ASM. LARGE				*		1	
19		SS8660810TP		SCREW 1/4-40 L=8				*		2	
20		B13081550A0		PINION ASM.				*		1	
21		SS8660810TP		SCREW 1/4-40 L=8				*		2	
22		22905004		UPRIGHT SHAFT						1	
23		11331303		NEEDLE BAR THREAD GUIDE						1	
24		22905103		UPRIGHT SHAFT BUSHING UPPER						1	
25		11004207		UPRIGHT SHAFT BUSHING LOWER						1	
26		22916308		HOOK DRIVING SH- AFT BUSH REAR						1	
27		MC200500900		NEEDLE 134 90	FOR JE					1	
28		22917157		THRUST COLLAR ASM. REAR						1	
29		SS6110420TP		SCREW 11/64-40 L=4.8				*		2	
30		22916001		HOOK DRIVING SHAFT						1	
31		22916407		BOBBIN CASE POSI- TIONING FINGER						1	
32		SS4110915TP		SCREW 11/64-40 L=9						1	
33		22916555		OILSEALSCREWASM.						1	
34		11015906		OIL WICK				*		1	
35		22916506		SET SCREW				*		1	
36		22932909		BOBBIN						1	
37		B18370120A0		BOBBIN CASE ASM.						1	
38		22917058		THRUST COLLAR ASM. FRONT						1	
39		SS8110410TP		SCREW 11/64-40 L= 3.5				*		2	
40		22916100		HOOK DRIVING SH- AFT BUSH FRONT						1	
41		SS4120915SP		SCREW 3/16-28 L=9						1	
42		B1401522B00A		NEEDLE BAR(B)	FOR JE					1	
43		B18301270A0		HOOK ASM.						1	

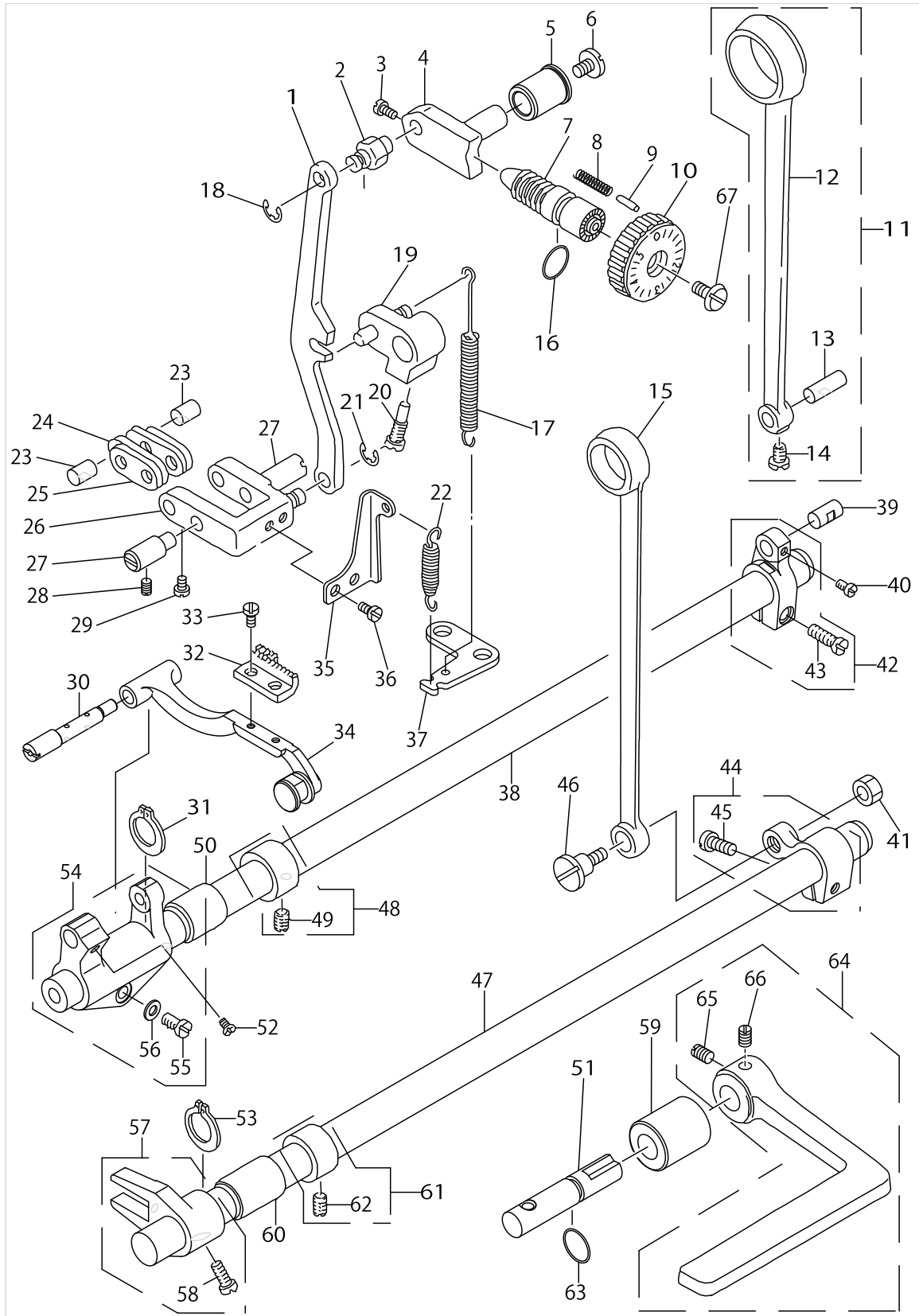
HAND LIFTER COMPONENTS



HAND LIFTER COMPONENTS

No.	Supply Code	Parts No.	Replacement	Parts name	Remarks	Choice	Step	Level	Cons	Qty	Rep. QTY
1		22907802		HAND LIFTER						1	
2		B1521555000		SCREW						1	
3		RO037180100		RUBBER RING						1	
4		22908354		KNEE LIFTING CROSS ROD ASM.						1	
5	R	22908156	22908354	LIFTING LINK ASM.				*		1	1.00
6		RE0500000K0		E-RING				*		2	
7	R	22908008	22908354	LIFTING PLATE		A	DDL-5550 5550N 555- 0N-7 5556- N-7 5600NL-7	*		1	1.00
7	R	22908008	23609357	LIFTING PLATE		B	DDL-9000A 9000B	*		1	1.00
7	R	22908008	40057398	LIFTING PLATE		C	LH-3500	*		1	1.00
7	R	22908008	40174387	LIFTING PLATE		D	DDL-9000C	*		1	1.00
8		22908305		KNEE LIFTER SIDE ROD				*		1	
9		22920102		THREAD RELEASE SHAFT						1	
10		11092558		HAND LIFTER CAM ASM.						1	
11		22908701		LINK SHAFT						2	
12		22908909		HINGE SCREW						1	
13		RE0500000K0		E-RING						3	
14		22909006		KNEE LIFTER CONNECTING ROD						1	
15		22908800		KNEE LIFTER LINK						1	
16		SD0720331SP		HINGE SCREW D= 7.24 H= 3.3						1	
17		RE0500000K0		E-RING						2	
18		22920201		RETURN SPRING						1	
19		22920409		THREAD RELEASE PIN SPRING						1	
20		CQ202000000		OIL WICK						14	
21		22920300		THREAD RELEASE SUPPORTING PIN						1	
22		22920003		THREAD RELEASE PLATE						1	
23		22907554		PRESSER SPRING REGULATOR ASM.						1	
24	R	22907505	22907554	PRESSER SPRING REGULATOR				*		1	1.00
25	R	22907604	22907554	PRESSER SPRING REGULATOR NUT				*		1	1.00
26		22907703		PRESSER GUIDE BAR						1	
27		22907406		PRESSER SPRING						1	
28		22907208		PRESSER BAR GUIDE BRACKET						1	
29		B1501522000		PRESSER BAR						1	
30		22907307		THREAD GUIDE						1	
31		SS8660810TP		SCREW 1/4-40 L=8						1	
32		SS6090910SP		SCREW 9/64-40 L=9						2	
33		40060989		PRESSER BAR BUSHING LOWER						1	
34		SS7091110TP		SCREW 9/64-40 L=10.5						1	
35		B1524522NB0A		PRESSER FOOT ASM.	SEE THE T- ABLE OF E- XCHANGI- NG GAUGES					1	

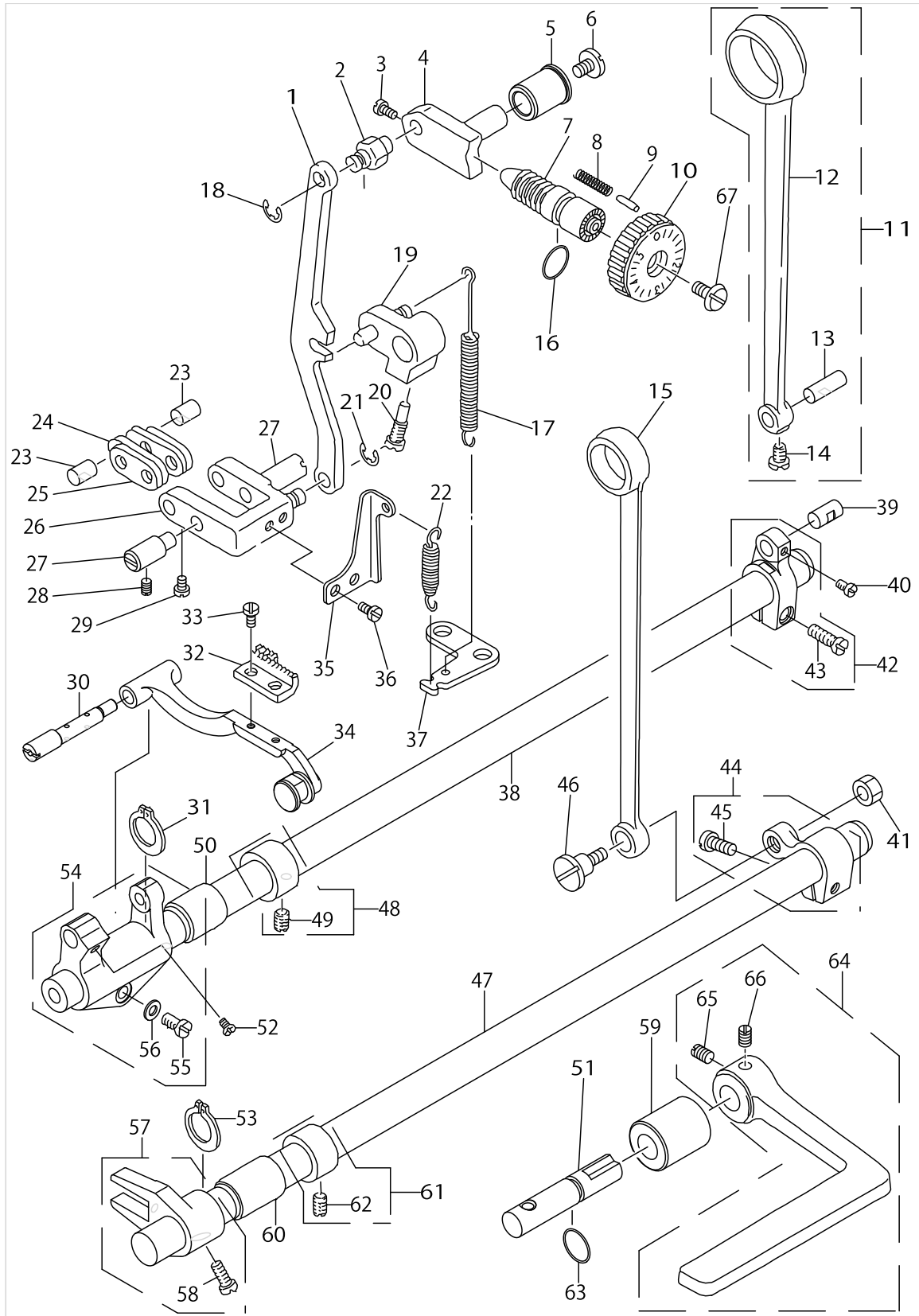
FEED MECHANISM COMPONENTS



FEED MECHANISM COMPONENTS

No.	Supply Code	Parts No.	Replacement	Parts name	Remarks	Choice	Step	Level	Cons	Qty	Rep. QTY
1		22911408		FEED REGULATOR CONNECTING ROD						1	
2		22911507		WALKING FOOT PIN C						1	
3		SS6090670TP		SCREW 9/64-40 L=6						2	
4	R	11009701	22911606	FEED REGULATOR						1	1.00
5		22911705		FEED REGULATOR BUSHING						1	
6		SS7120770SH		SCREW 3/16-28 L=7						1	
7		22911804		FEED REGULATOR SCREW						1	
8		22912109		FEED REGULATOR PIN SPRING						1	
9		22912000		FEED REGULATOR PIN						1	
10		11071909		FEED DIAL						1	
11		22910251		ROCKER SHAFT CO- NNECTING ROD ASM.						1	
12	R	22910202	22910251	ROCKER SHAFT CO- NNECTING ROD				*		1	1.00
13		22911101		WALKING FOOT PIN C				*		1	
14		SS6090620TP		SCREW				*		1	
15		22915003		CONNECTING ROD						1	
16		RO092270200		RUBBER RING						1	
17	R	11010303	11010311	FEED REVERSE SPRING						1	1.00
18		RE0500000K0		E-RING						1	
19		22912257		FEED REVERSE ARM ASM.						1	
20		22912505		FEED REVERSE ARM SCREW						1	
21		RE0500000K0		E-RING						1	
22	R	11009404	22911309	ADJUSTING LINK SPRING						1	1.00
23		22910905		WALKING FOOT PIN A						2	
24		40089548		CONNECTING LINK B						2	
25		40093417		CONNECTING LINK A						2	
26	R	11008455	22910459	WALKING FOOT ADJUSTING LINK						1	1.00
27		22910806		ADJUST LINK FULCRUM SHAFT A						2	
28		SS8150710TP		SCREW 15/64-28 L=7						2	
29		SS6090620TP		SCREW						2	
30		22940803		FEED BAR SHAFT						1	
31		RC0150001KP		RETAINING RING 13.8						1	
32		B1613522N00A		FEED DOG	SEE THE T- ABLE OF E- XCHANGI- NG GAUGES					1	
33		SS4080620TP		SCREW 1/8-44 L=6						2	
34		22971857		FEED BASE ASM.						1	
35		22941306		REGULATOR LINK SPRING HOOK						1	
36		SS4110515SP		SCREW 11/64-40 L=5						2	
37		22913701		FEED SPRING HOOK						1	
38		22912901		FEEDROCKER SHAFT						1	
39		22911002		WALKING FOOT PIN B						1	
40		SS6090620TP		SCREW						1	
41		NS6680410SP		NUT 9/32-28						1	
42		22910350		FEED ROCKER SHA- FT CRANK ASM.						1	
43		SS6121610SP		SCREW 3/16-28 L=15.5				*		1	

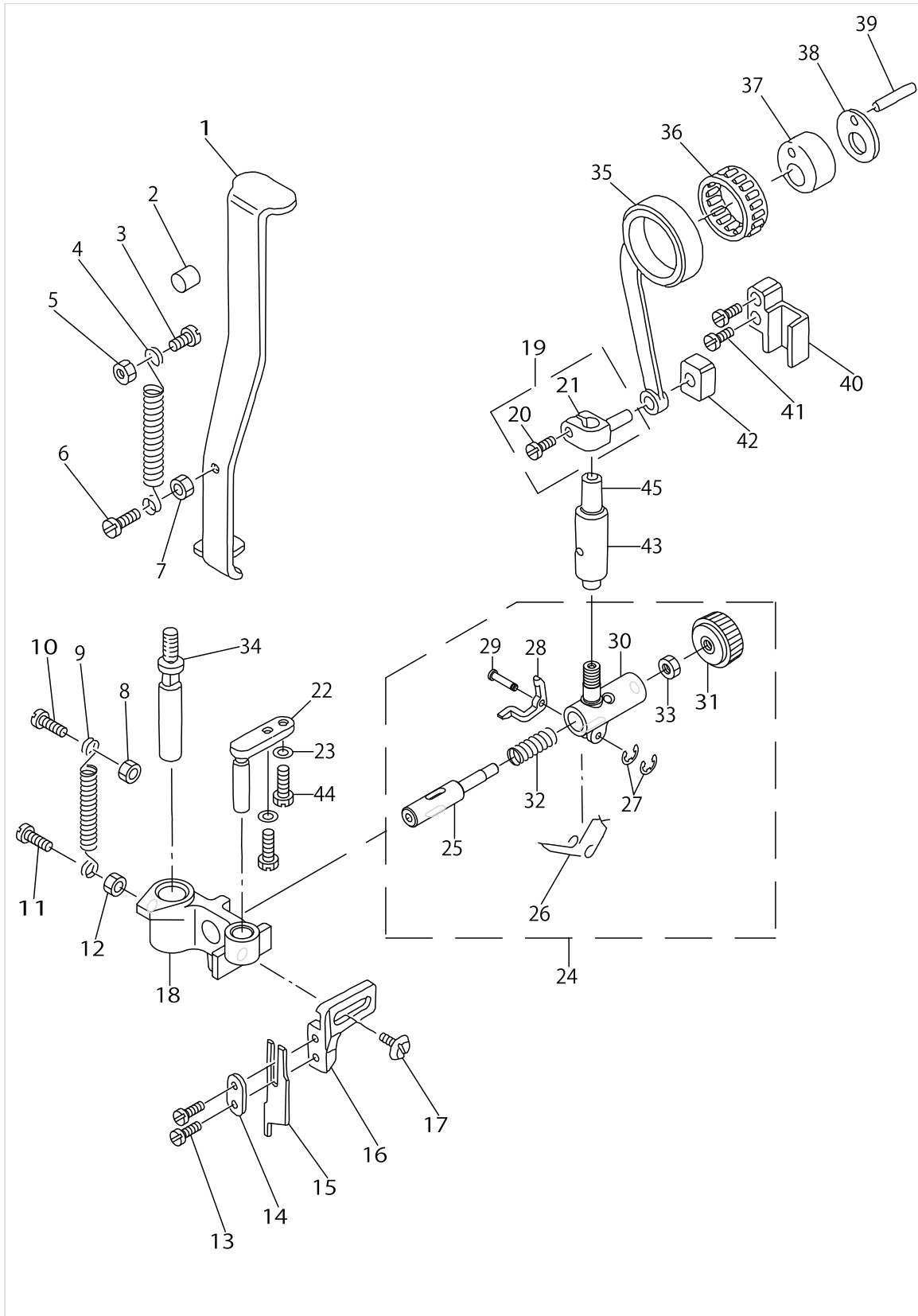
FEED MECHANISM COMPONENTS



FEED MECHANISM COMPONENTS

No.	Supply Code	Parts No.	Replacement	Parts name	Remarks	Choice	Step	Level	Cons	Qty	Rep. QTY
44		22915151		FEED ARM COMPL.						1	
45		SS7121610SP		SCREW 3/16-28 L=15.5				*		1	
46		SD1000801SH		HINGE SCREW D=10 H=8						1	
47		22915201		FEED DRIVING SHAFT						1	
48		22904155		MAIN SHAFT THRU-ST COLLAR ASM.						1	
49		SS8660610TP		SCREW 1/4-40 L=6				*		2	
50		22913008		FEED ROCKER SHAFT BUSHING						1	
51		40100084		FEED LEVER SHAFT						1	
52		SS7110740TP		SCREW 11/64-40 L=7						1	
53		RC0150001KP		RETAINING RING 13.8						1	
54		22940654		FEED ROCKER ASM.						1	
55		SS7121410TP		SCREW 3/16-28 L=14				*		1	
56		WP0480856SP		WASHER 4.8X8.4X0.8				*		1	
57		22915359		DRIVING SHAFT CRANK ASM.						1	
58	R	SS7111120SP	SS7111120TP	SCREW 11/64-40 L=10.5				*		1	1.00
59		22912802		FEED LEVER SHAFT BUSHING						1	
60		22913008		FEED ROCKER SHAFT BUSHING						1	
61		22904155		MAIN SHAFT THRU-ST COLLAR ASM.						1	
62		SS8660610TP		SCREW 1/4-40 L=6				*		2	
63		RO078190100		RUBBER RING						1	
64		22912752		FEED LEVER ASM.						1	
65		SM8061010TP		SCREW				*		1	
66		SM8061050TP		SCREW				*		1	
67		SS6121860SP		SCREW 3/16-28 L=18						1	

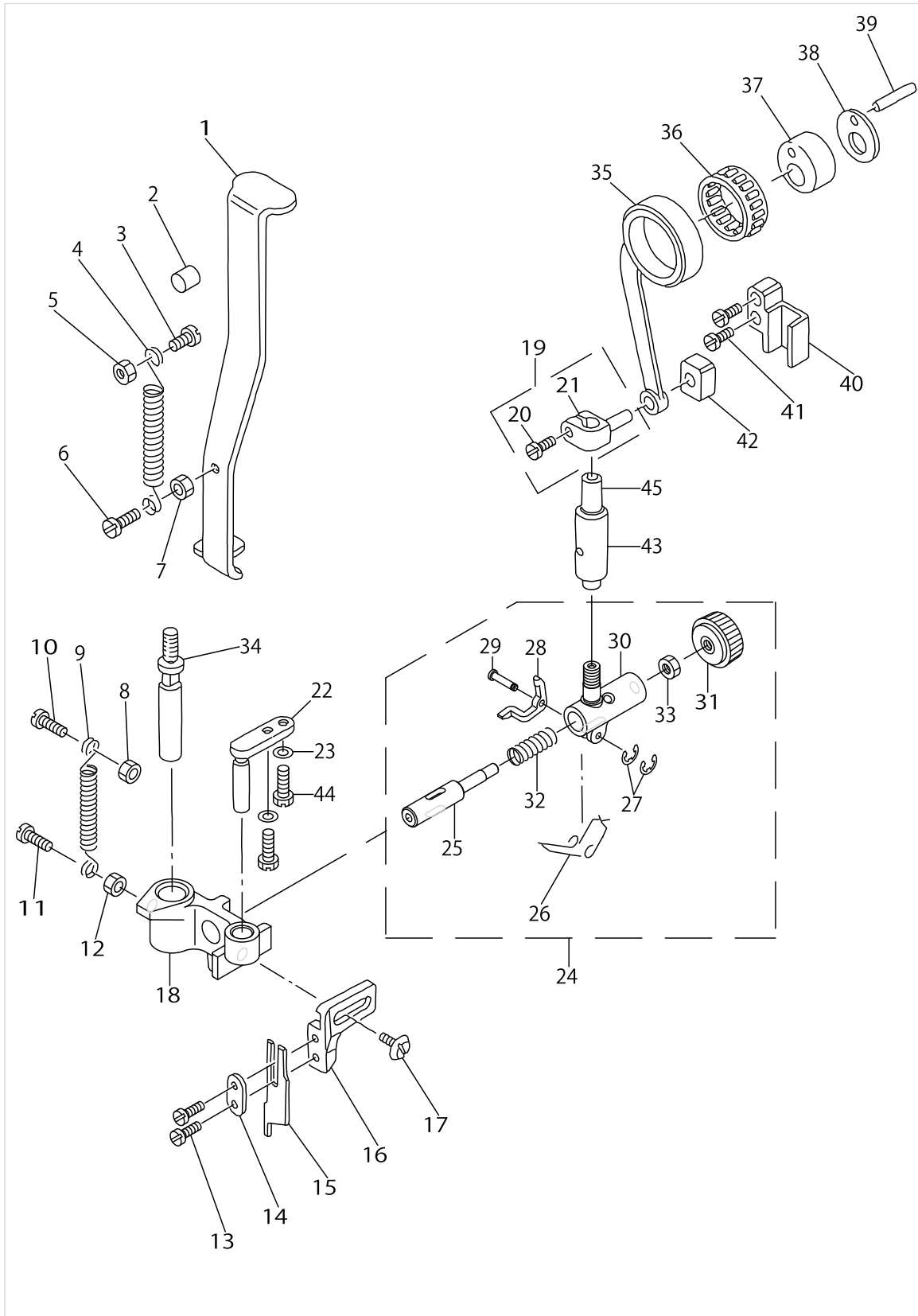
KNIFE COMPONENTS



KNIFE COMPONENTS

No.	Supply Code	Parts No.	Replacement	Parts name	Remarks	Choice	Step	Level	Cons	Qty	Rep. QTY
1		11332400		KNIFE POSITIONING PLATE						1	
2		B4131522000		FELT						1	
3		SS4090815SP		SCREW 9/64-40 L=8						1	
4		B4133522000		TENSION SPRING						1	
5		NS6090310SP		NUT 9/64-40						1	
6		SS4090815SP		SCREW 9/64-40 L=8						1	
7		NS6090310SP		NUT 9/64-40						1	
8		NS6120310SP		NUT 3/16-28						1	
9		B4119522000		TENSION SPRING						1	
10		SS6121010SP		SCREW 3/16-28 L=10						1	
11		SS6111010TP		SCREW 11/64-40 L= 9.5						1	
12		NS6110420SP		NUT 11/64-40						1	
13		SS4080620TP		SCREW 1/8-44 L=6						2	
14		B4122522000		WASHER						1	
15		B4121522000		KNIFE	SEE THE TABLE OF EXCHANGING GAUGES					1	
16		B4120522000		KNIFE HOLDER						1	
17		SS6110810TP		SCREW 11/64-40 L=8						1	
18		B4113522000A		KNIFE DRIVING BLOCK						1	
19		40080466		KNIFE DRIVING STUD CONNECTION						1	
20		SS6090810TP		SCREW 9/64-40 L=7.5				*		1	
21	R	11332202	40080466	KNIFE DRIVING STUD CONNECTION				*		1	1.00
22		B4115522000		GUIDE STUD FOR KNIFE DRIVING B						1	
23		WP0480856SP		WASHER 4.8X8.4X0.8						2	
24		B41035220A0A		CLUTCH RETAINER ASM.						1	
25		B4111522000A		KNIFE DRIVING ROD CLUTCH PIN				*		1	
26		B4125522000		SPRING				*		1	
27		RE0200000K0		E-RING				*		2	
28		B4124522000		KNIFE RELEASE LEVER				*		1	
29		B4126522000A		KNIFE RELEASE LEVER PIN				*		1	
30		40094031		KNIFE DRIVING ROD CLUTCH RETAI				*		1	
31		B4109522000A		KNIFE DRIVING ROD CLUTCH KNOB				*		1	
32		B4110522000		SPRING				*		1	
33		NM6040001SD		NUT M4				*		1	
34		B4114522000		KNIFE DRIVING BLOCK STUD						1	
35		11332301		KNIFE DRIVING ROD						1	
36	R	B4123522000	B412352200A	KNIFE NEEDLE BEARING		A	A:			1	1.00
36	R	B4123522000	B412352200B	KNIFE NEEDLE BEARING		B	B:			1	1.00
36	R	B4123522000	B412352200C	KNIFE NEEDLE BEARING		C	C:			1	1.00
37		B4106522000B		KNIFE CAM						1	
38		B4132522000A		THRUST PLATE						1	
39		B4107522000		PIN						1	
40		B4108522000		SLIDE BLOCK GUIDE						1	
41		SS6121060SP		SCREW 3/16-28 L=9.5						2	

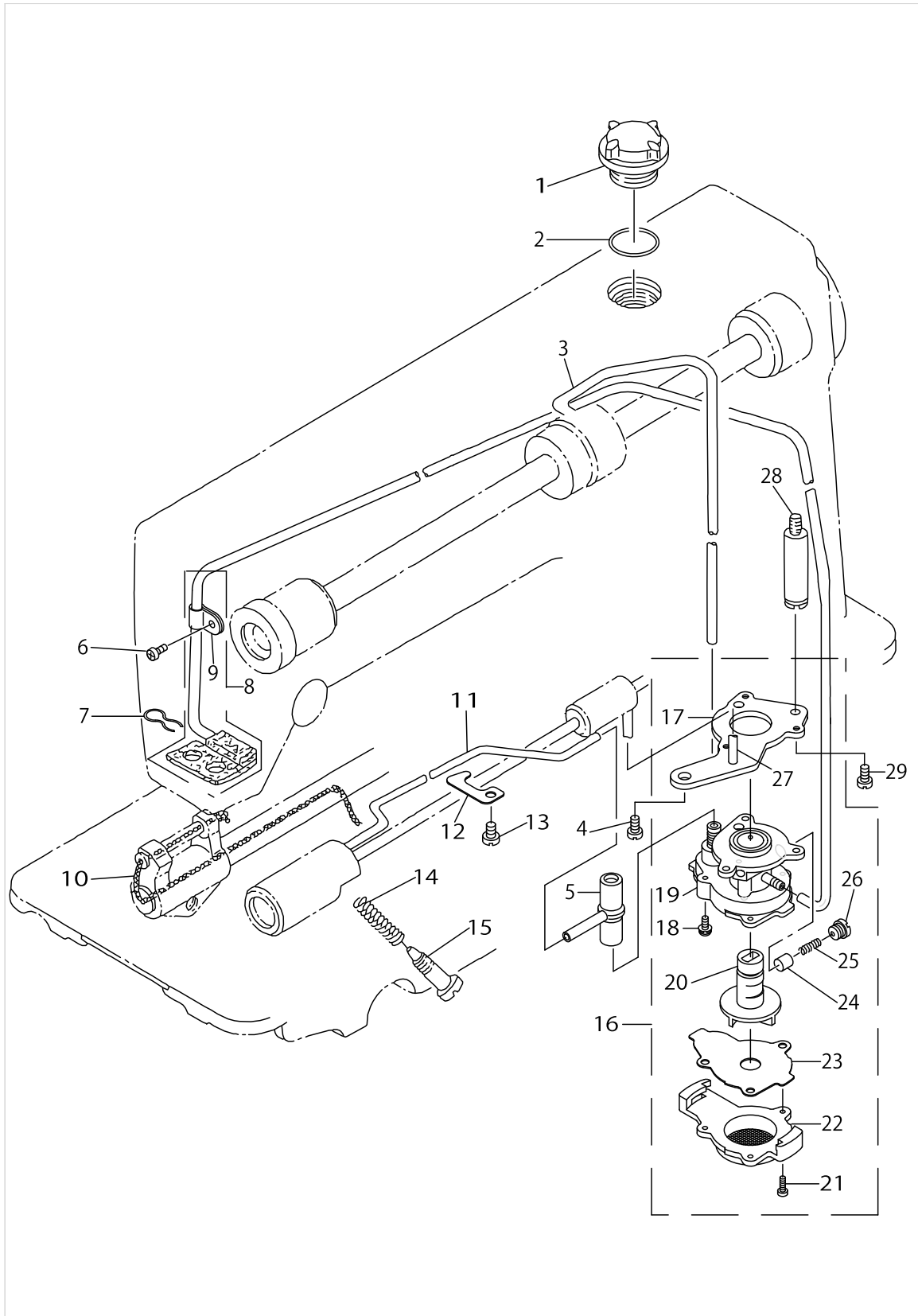
KNIFE COMPONENTS



KNIFE COMPONENTS

No.	Supply Code	Parts No.	Replacement	Parts name	Remarks	Choice	Step	Level	Cons	Qty	Rep. QTY
42		B1414555000		SLIDE BLOCK						1	
43		B4116530000		BUSHING						1	
44		SS9120910TP		SCREW 3/16-28 L=9						2	
45		B4102522000		KNIFE DRIVING STUD						1	

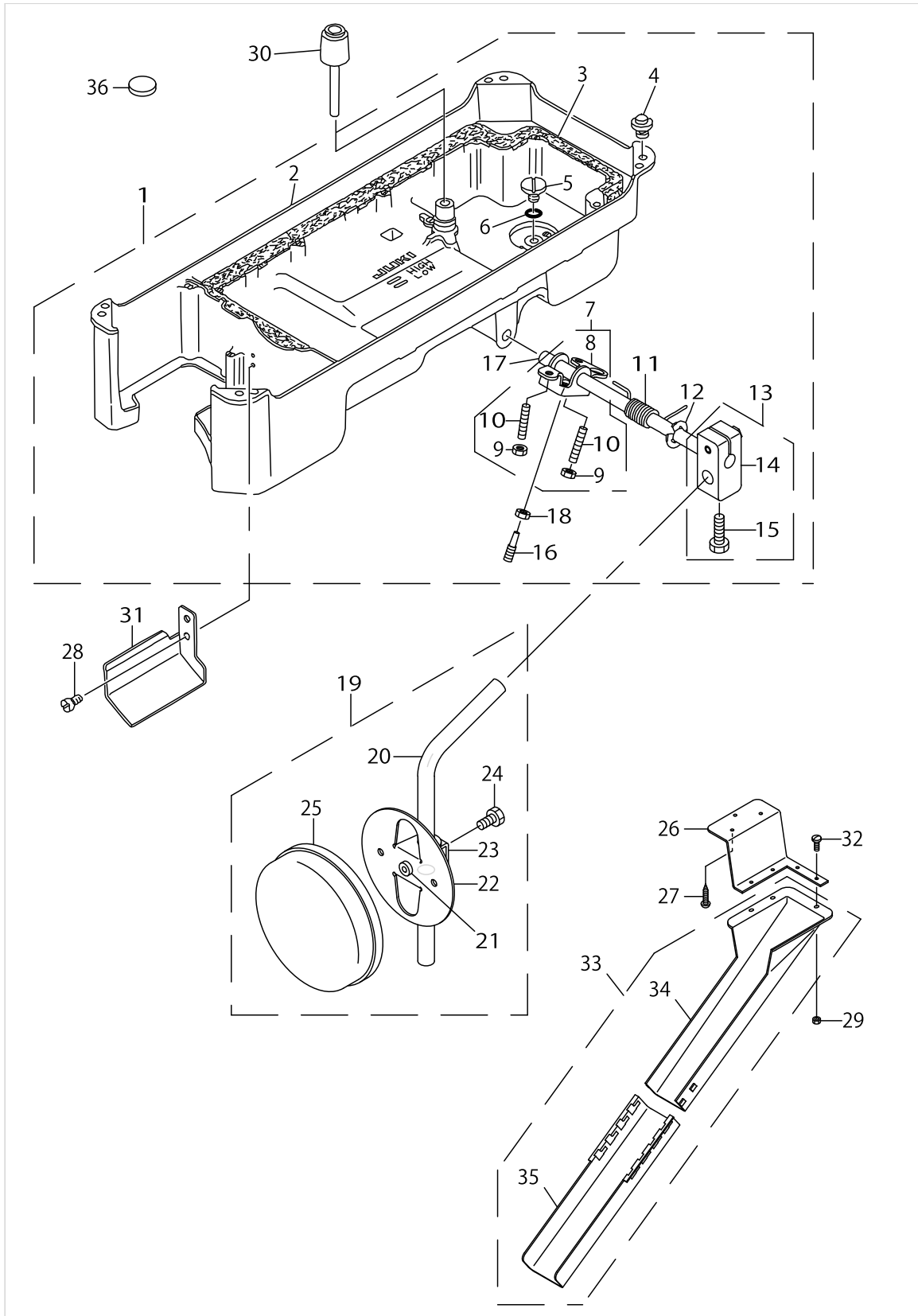
OIL LUBRICATION COMPONENTS



OIL LUBRICATION COMPONENTS

No.	Supply Code	Parts No.	Replacement	Parts name	Remarks	Choice	Step	Level	Cons	Qty	Rep. QTY
1		22924708		OIL SIGHT WINDOW						1	
2		RO195240100		RUBBER RING						1	
3		22924401		MAINSHAFTOILTUBE						1	
4		SS4150915SP		SCREW 15/64-28 L=9						1	
5		22924609		RUBBER JOINT						1	
6		SS4120615SP		SCREW 3/16-28 L=6						1	
7		22925101		OIL FELT PRESSER						1	
8		11331758		OIL RETURN TUBE ASM.						1	
9		22924302		RETURN PIPE HOLDER				*		1	
10		CQ252000000		OIL WICK						.3	
11		22924500		HOOK OIL TUBE						1	
12		22924807		PIPE HOLDER LOWER						1	
13		SS4150915SP		SCREW 15/64-28 L=9						1	
14		22924906		OIL REGULATOR SCREW SPRING						1	
15		22925002		OIL REGULATOR SCREW						1	
16		22923056		OIL PUMP ASM.						1	
17	R	22923312	11392057	PUMP BODY INSTALLING PLATE		A	DLD5430	*		1	1.00
17	R	22923312	11404555	PUMP BODY INSTALLING PLATE		B	DDL5600/- 8100e, DU1181	*		1	1.00
17	R	22923312	22923056	PUMP BODY INSTALLING PLATE		C	DDL8700/- 8300/8500- /900A, DM- N5420/5400	*		1	1.00
18		SL4030851SF		SCREW M3 L=8				*		3	
19	R	22923015	22923056	PUMP BODY				*		1	1.00
20		22923700		IMPELLER				*		1	
21		SE4301041SR		SCREW D=3 L=10				*		3	
22		22923205		PUMP BODY COVER				*		1	
23		22923809		PUMP BODY SUPPORT PLATE				*		1	
24		22923403		PLUNGER				*		1	
25		22923601		PLUNGER SPRING				*		1	
26		22923502		PLUNGER SCREW				*		1	
27		22923908		HOOK DRIVING SH- AFT OILING PIPE				*		1	
28		22924005		PUMP BODY STRUT						1	
29		SS6111010TP		SCREW 11/64-40 L= 9.5						1	

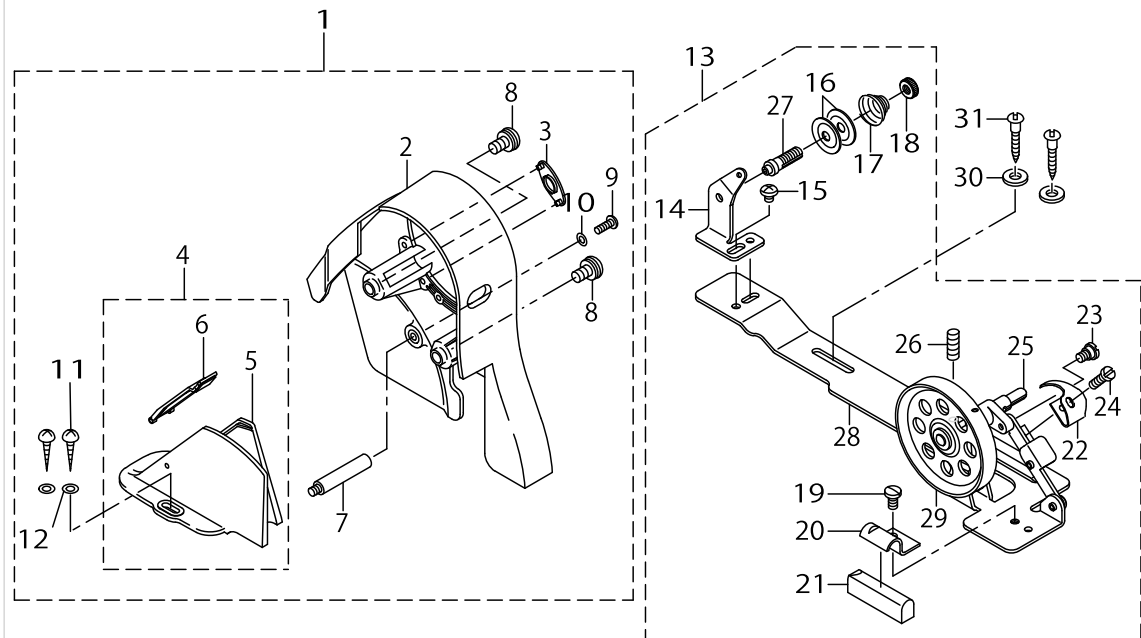
OIL RESERVOIR COMPONENTS



OIL RESERVOIR COMPONENTS

No.	Supply Code	Parts No.	Replacement	Parts name	Remarks	Choice	Step	Level	Cons	Qty	Rep. QTY
1		11360757		OIL RESERVOIR ASM.						1	
2	R	11360708	11360757	OIL RESERVOIR				*		1	1.00
3		11023108		GASKET				*		1	
4		11047107		RUBBER CUSHION				*		4	
5		SS6700710SH		SCREW 5/16-24 L=7				*		1	
6		RO098240100		RUBBER RING				*		1	
7		22932156		KNEE LIFTER ROTATION ARM ASM.				*		1	
8	R	22932107	22932156	KNEE LIFTER ROTATION ARM				*		1	1.00
9		NM6060001SE		NUT M6				*		2	
10		SM8063012TR		SCREW M6 L=30				*		2	
11		22932206		SPRING				*		1	
12		RE1000000K0		E-RING 10				*		1	
13		22932453		BRACKET ASM.				*		1	
14	R	22932404	22932453	BRACKET				*		1	1.00
15		22934707		BRECKET SCREW				*		2	
16		40101720		SCREW_M6				*		1	
17		22932305		KNEE PRESS CROSS SHAFT				*		1	
18		NM6060001SE		NUT M6				*		1	
19		22934251		KNEE PAD PLATE ASM.				*		1	
20		22934608		KNEE PAD UPRIGHT SHAFT				*		1	
21		22934400		KNEE PAD PLATE RUBBER				*		1	
22		22934202		KNEE PAD PLATE				*		1	
23		22934301		KNEE PAD PLATE SUPPORT				*		1	
24		SM9061203SE		SCREW M6 L=12				*		1	
25		22934509		KNEE PAD PLATE COVER				*		1	
26		40064815		WASTE MATERIAL CHUTE HOLDER				*		1	
27	R	SK3412000SC	SK3412000SE	WOOD SCREW D=4.1 L=20				*		3	1.00
28		SS4110715SP		SCREW 11/64-40 L=7				*		2	
29		NS6090310SP		NUT 9/64-40				*		3	
30	R	11024304	22931703	KNEE PRESS LIFTER ROD				*		1	1.00
31		11361003		OIL PUSH GUIDE				*		1	
32	R	SS7091110SP	SS7091110TP	SCREW 9/64-40 L=10.5				*		3	1.00
33		40056521		WASTE MATERIAL CHUTE HOLDER ASM.				*		1	
34		40053719		CLOTH WASTE CHUTE UPPER				*		1	
35		12341806		CLOTH WASTE CHUTE				*		1	
36		B8228125000		OIL RESERVOIR MAGNET				*		1	

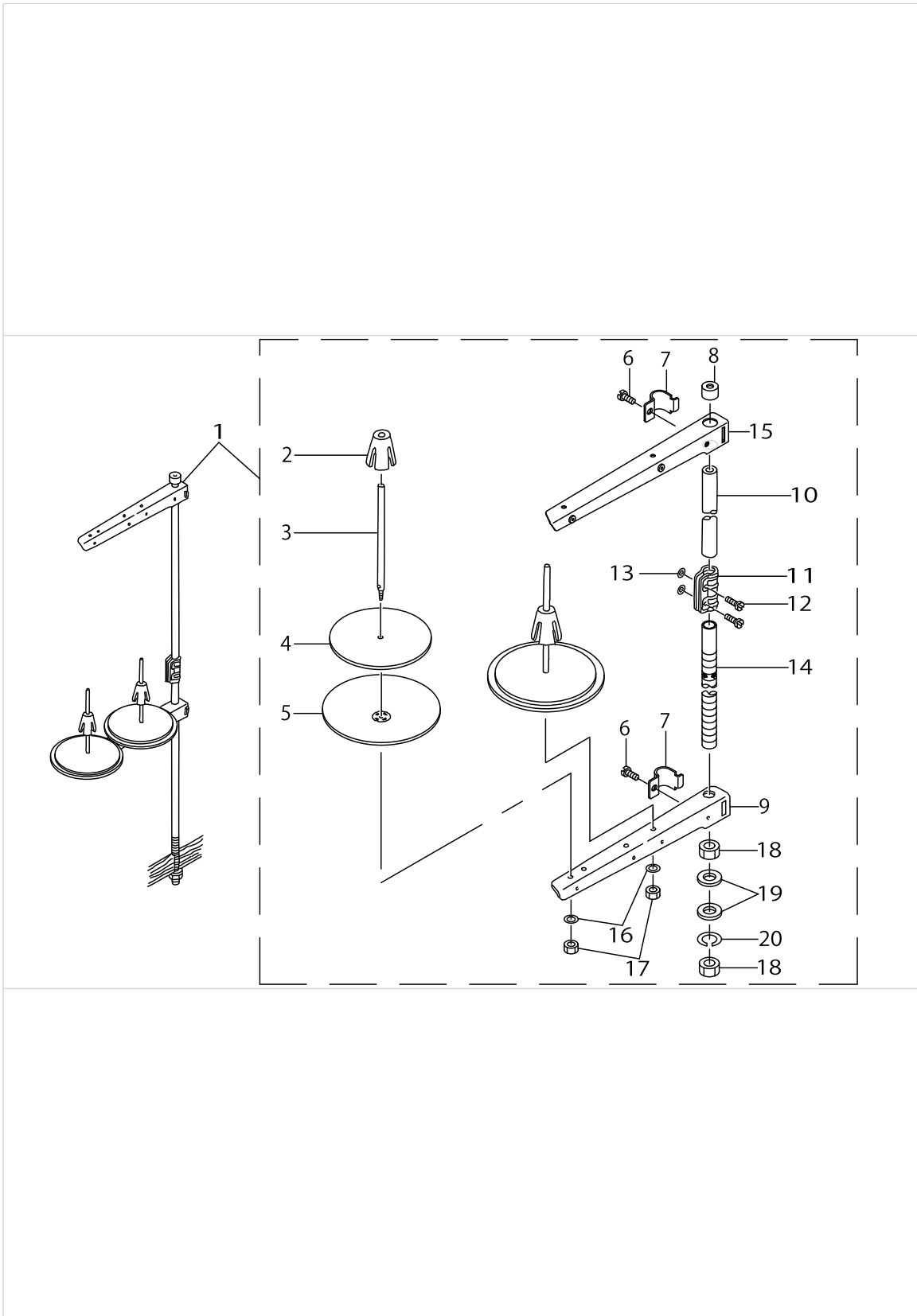
BELT COVER & BOBBIN WINDER COMPONENTS



BELT COVER & BOBBIN WINDER COMPONENTS

No.	Supply Code	Parts No.	Replacement	Parts name	Remarks	Choice	Step	Level	Cons	Qty	Rep. QTY
1		22933451		BELT COVER ASM.						1	
2	R	22933402	22933451	BELT COVER A				*		1	1.00
3		22933501		BELT COVER A CAP				*		1	
4		22933659		BELT COVER B COMPL.				*		1	
5		22933600		BELT COVER B				*		1	
6	R	22933758	22933659	BELT COVER B LID ASM.				*		1	1.00
7		22933907		BELT COVER STRUT				*		1	
8	R	22934004	11025202	SET SCREW				*		2	1.00
9		SS4121415SP		SCREW 3/16-28 L=14				*		1	
10		WP0501016SD		WASHER 5X10.5X1				*		1	
11	R	SK3412000SC	SK3412000SE	WOOD SCREW D=4.1 L=20				*		2	1.00
12		WP0450826SC		WASHER 4.5X10X0.8				*		2	
13		22927354		BOBBIN WINDER COMPL.						1	
14	R	22928501	11078250	THREAD TENSION POST BASE				*		1	1.00
15		SS4110515SP		SCREW 11/64-40 L=5				*		1	
16	R	22928907	22921506	THREAD TENSION DISK				*		2	1.00
17		22929004		THREAD TENSION SPRING				*		1	
18		22928808		NUT				*		1	
19		SS7110350SP		SCREW 11/64-40 L=3.5				*		1	
20	D	22928402		CONTROL RUBBER HOLDING PLATE				*		1	
21		22928303		CONTROL RUBBER				*		1	
22		22928105		BOBBIN PRESSER				*		1	
23		SD0490261SP		HINGE SCREW D=4.9 H=2.6				*		1	
24		SS7081310SP		SCREW 1/8-44 L=12.5				*		1	
25		22927602		BOBBIN WINDER SPINDLE				*		1	
26	R	SS8110510SP	SS8110520TP	SCREW 11/64-40 L=5				*		1	1.00
27	R	22928709	11078250	THREAD TENSION POST				*		1	1.00
28	R	22927305	22927354	BOBBIN WINDER BASE				*		1	1.00
29		22927404		BOBBIN WINDER				*		1	
30		WP0450826SC		WASHER 4.5X10X0.8						2	
31	R	SK3412000SC	SK3412000SE	WOOD SCREW D=4.1 L=20						2	1.00

THREAD STAND COMPONENTS



THREAD STAND COMPONENTS

No.	Supply Code	Parts No.	Replacement	Parts name	Remarks	Choice	Step	Level	Cons	Qty	Rep. QTY
1	R	22930358	40096354	THREAD STAND ASM.						1	1.00
2	R	22931109	40085791	SPOOL RETAINER				*		2	1.00
3	R	22931000	40085790	SPOOL PIN				*		2	1.00
4		22930903		SPOOL REST CUSHION				*		2	
5		22930804		SPOOL REST				*		2	
6		SM6061610SC		SCREW M6 L=16				*		2	
7	R	22930705	40096354	THREAD GUIDE ARM JOINT				*		2	1.00
8		22931406		SPOOL REST ROD RUBBER CAP				*		1	
9	R	22930507	40096354	SPOOL REST ARM				*		1	1.00
10	R	22930408	40096354	SPOOL REST ROD UPPER				*		1	1.00
11	R	22931307	40096354	SPOOL REST ROD JOINT				*		1	1.00
12		SM4051405SE		SCREW M5 L=14				*		2	
13		NM6050001SE		NUT M5				*		2	
14	R	22930309	40096354	SPOOL REST ROD LOWER				*		1	1.00
15	R	22930556	40096354	THREAD STANDING ARM ASM.				*		1	1.00
16		WS0510002KN		SPRING WASHER				*		2	
17		NM6050001SE		NUT M5				*		2	
18		NM6160511SE		NUT M16X1.5				*		2	
19		WP1612616SE		WASHER 16.1X30X2.6				*		2	
20	R	WS1643202KR	WP1612616SE	SPRING WASHER		A		*		1	2.00
20	R	WS1643202KR	40085796	SPRING WASHER		A		*		1	2.00

TABLE OF EXECHANGING GAUGES (1)

Specifications of the sub-gauge	Gauge width	1		2		3		4		5		Type	Note
		Throat plate		Throat plate cover		Gauge		Throat plate chip guard		Throat plate chip guard accessory			
		針板	針板蓋 (組) *付属品	ゲージ	針板布屑カバー *付属品	針板	針板蓋 (組) *付属品	針板布屑カバー *付属品	針板布屑カバー *付属品	針板布屑カバー *付属品	針板布屑カバー *付属品		
サブゲージ仕様	サブゲージ巾	Ref.no	Part no	Ref.no	Part no	Ref.no	Part no	Ref.no	Part no	Ref.no	Part no	仕様	備考
CA	5/64" (2.0mm)	1	11346004	19	B11155310AD	37	B1190522Y0A	55	11346905	73	11347002	Spare parts type 特別パーツ仕様	Cut-after knife type 後メスタイプ
C	3/32" (2.4mm)	2	11346004	20	B11155310AD	38	B1190522X00	56	11346905	74	11347002	Special type 特別仕様	
CB	3/32" (2.4mm)	3	11346004	21	B11155310AD	39	B1190522X0B	57	11346905	75	11347002	Spare parts type 特別パーツ仕様	As compared with B1190522X00, the grooves of the feed dog are 3 rows instead of 2 rows. B1190522X00に対し、送り溝を2溝 3列にしたもの
D	1/8" (3.2mm)	4	11346004	22	B11155310AD	40	B1190522500	58	11346905	76	11347002	Standard type 標準仕様	In case of the gauge of 6mm or more, this gauge is packed with the accessories. (Limited to JA,E,JH,TP.) ゲージ巾6mm以上の場合に付属同梱(JA,E,JH,TP)に限定)
E	5/32" (4.0mm)	5	11346004	23	B11155310AD	41	B1190522Y00	59	11346905	77	11347002	Special type 特別仕様	
EA	5/32" (4.0mm)	6	11346004	24	B11155310AD	42	11362753	60	11346905	78	11347002	Spare parts type 特別パーツ仕様	For pattern seamer パターンシーマ用
EB	5/32" (4.0mm)	7	11346004	25	B11155310AD	43	B1190522Y0R	61	11346905	79	11347002	Spare parts type 特別パーツ仕様	As compared with B1190522X00, the grooves of the feed dog are 3 rows instead of 2 rows. B1190522X00に対し、送り溝を2溝 3列にしたもの
F	3/16" (4.8mm)	8	11346004	26	B11155300AF	44	B1190522T00	62	11346905	80	11347002	Special type 特別仕様	
FA	3/16" (4.8mm)	9	11346004	27	B11155300AF	45	B1190522T0A	63	11346905	81	11347002	Spare parts type 特別パーツ仕様	Cut-before knife type 前メスタイプ
FB	3/16" (4.8mm)	10	11346004	28	B11155300AF	46	B1190522Y0C	64	11346905	82	11347002	Spare parts type 特別パーツ仕様	As compared with B1190522T00, the needle hole of which diameter is set to 1.9 to 1.2mm. B1190522T00に対し針穴径を1.9→1.2mmに
FC	3/16" (4.8mm)	11	11346004	29	B11155300AF	47	B1190522T0D	65	11346905	83	11347002	Special type 特別仕様	As compared with B1190522X00, the grooves of the feed dog are 3 rows instead of 2 rows. B1190522X00に対し、送り溝を2溝 3列にしたもの
G	27/128" (5.3mm)	12	11346004	30	B11155300AF	48	B1190522Y0F	66	11347101	84	11347200	Spare parts type 特別パーツ仕様	
H	1/4" (6.4mm)	13	11346004	31	B11155300AF	49	B1190522U00	67	11347101	85	11347200	Special type 特別仕様	In case of the gauge of 6mm or more, this gauge is packed with the accessories. (Limited to JA,E,JH,TP.) ゲージ巾6mm以上の場合に付属同梱(JA,E,JH,TP)に限定)
HA	1/4" (6.4mm)	14	11346301	32	B11155300AF	50	B1190522U0AA	68	11347101	86	11347200	Spare parts type 特別パーツ仕様	For preventing material from being caught by the 4-teeth food dog 4枚歯存ずまり防止用
K	5/16" (7.9mm)	15	11346004	33	B11155300AF	51	B1190522Y0B	69	11347101	87	11347200	Spare parts type 特別パーツ仕様	
M	3/8" (9.5mm)	16	11346004	34	B11155300AM	52	B1190522V00	70	11347309	88	11347408	Special type 特別仕様	
MA	3/8" (9.5mm)	17	11346004	35	B11155300AM	53	B1190522V0A	71	11347309	89	11347408	Spare parts type 特別パーツ仕様	As compared with B1190522V00, the feed amount of the feed dog is reduced. B1190522V00に対して送り溝長さを短縮
P	7/16" (11.1mm)	18	11346004	36	B11155300AM	54	B1190522Y0M	72	11347309	90	11347408	Spare parts type 特別パーツ仕様	

TABLE OF EXECHANGING GAUGES (1)

No.	Supply Code	Parts No.	Replacement	Parts name	Remarks	Choice	Step	Level	Cons	Qty	Rep. QTY
1		11346004		NEEDLE PLATE A						1	
2		11346004		NEEDLE PLATE A						1	
3		11346004		NEEDLE PLATE A						1	
4		11346004		NEEDLE PLATE A						1	
5		11346004		NEEDLE PLATE A						1	
6		11346004		NEEDLE PLATE A						1	
7		11346004		NEEDLE PLATE A						1	
8		11346004		NEEDLE PLATE A						1	
9		11346004		NEEDLE PLATE A						1	
10		11346004		NEEDLE PLATE A						1	
11		11346004		NEEDLE PLATE A						1	
12		11346004		NEEDLE PLATE A						1	
13		11346004		NEEDLE PLATE A						1	
14	D	11346301		NEEDLE PLATE A						1	
15		11346004		NEEDLE PLATE A						1	
16		11346004		NEEDLE PLATE A						1	
17		11346004		NEEDLE PLATE A						1	
18		11346004		NEEDLE PLATE A						1	
19		B11155310AD		THROAT PLATE COVER ASM.						1	
20		B11155310AD		THROAT PLATE COVER ASM.						1	
21		B11155310AD		THROAT PLATE COVER ASM.						1	
22		B11155310AD		THROAT PLATE COVER ASM.						1	
23		B11155310AD		THROAT PLATE COVER ASM.						1	
24		B11155310AD		THROAT PLATE COVER ASM.						1	
25		B11155310AD		THROAT PLATE COVER ASM.						1	
26		B11155300AF		THROAT PLATE OPEN COVER						1	
27		B11155300AF		THROAT PLATE OPEN COVER						1	
28		B11155300AF		THROAT PLATE OPEN COVER						1	
29		B11155300AF		THROAT PLATE OPEN COVER						1	
30		B11155300AF		THROAT PLATE OPEN COVER						1	
31		B11155300AF		THROAT PLATE OPEN COVER						1	
32		B11155300AF		THROAT PLATE OPEN COVER						1	
33		B11155300AF		THROAT PLATE OPEN COVER						1	
34		B11155300AM		THROAT PLATE PLUG ASM. M						1	
35		B11155300AM		THROAT PLATE PLUG ASM. M						1	
36		B11155300AM		THROAT PLATE PLUG ASM. M						1	
37		B1190522Y0A		GAUGE PLATE 5/64						1	
38		B1190522X00		GAUGE PLATE 3/32 (X)						1	
39		B1190522X0B		GAUGE 3/32XB						1	
40		B1190522S00		GAUGE PLATE 1/8 S						1	
41		B1190522Y00		GAUGE PLATE 5/32 (Y)						1	
42		11362753		GAUGE ASM. 5/32 E						1	
43	D	B1190522Y0R		GAUGE 5/32YR						1	
44		B1190522T00		GAUGE PLATE 3/16 (T)						1	
45		B1190522T0A		GUAGE PLATE 3/16 (TA)						1	
46		B1190522Y0C		GAUGE 3/16 (NEEDLE HOLE 1.2)						1	

TABLE OF EXECHANGING GAUGES (1)






Specifications of the sub-gauge	Gauge width	1		2		3		4		5		Type	Note
		Throat plate		Throat plate cover		Gauge		Throat plate chip guard		Throat plate chip guard			
		針板		針板蓋 (組) *付属品		ゲージ		針板布屑カバー		針板布屑カバー *付属品			
サブゲージ仕様	サブゲージ巾											仕様	備考
		Ref.no	Part no	Ref.no	Part no	Ref.no	Part no	Ref.no	Part no	Ref.no	Part no		
CA	5/64" (2.0mm)	1	11346004	19	B11155310AD	37	B1190522Y0A	55	11346905	73	11347002	Spare parts type *補用パーツ仕様	Cut-after knife type 後メスタイプ
C	3/32" (2.4mm)	2	11346004	20	B11155310AD	38	B1190522X00	56	11346905	74	11347002	Special type 特別仕様	
CB	3/32" (2.4mm)	3	11346004	21	B11155310AD	39	B1190522X0B	57	11346905	75	11347002	Spare parts type *補用パーツ仕様	As compared with B1190522X00, the grooves of the feed dog are 3 rows instead of 2 rows. B1190522X00に対し、送り溝を2溝 3列にしたもの
D	1/8" (3.2mm)	4	11346004	22	B11155310AD	40	B1190522500	58	11346905	76	11347002	Standard type 標準仕様	In case of the gauge of 6mm or more, this gauge is packed with the accessories. (Limited to JA,JE,JH,TP.) ゲージ巾6mm以上の場合に付属同梱(JA,JE,JH,TP)に限定)
E	5/32" (4.0mm)	5	11346004	23	B11155310AD	41	B1190522Y00	59	11346905	77	11347002	Special type 特別仕様	
EA	5/32" (4.0mm)	6	11346004	24	B11155310AD	42	11362753	60	11346905	78	11347002	Spare parts type *補用パーツ仕様	For pattern seamer パターンシーマ用
EB	5/32" (4.0mm)	7	11346004	25	B11155310AD	43	B1190522Y0R	61	11346905	79	11347002	Spare parts type *補用パーツ仕様	As compared with B1190522X00, the grooves of the feed dog are 3 rows instead of 2 rows. B1190522X00に対し、送り溝を2溝 3列にしたもの
F	3/16" (4.8mm)	8	11346004	26	B11155300AF	44	B1190522T00	62	11346905	80	11347002	Special type 特別仕様	
FA	3/16" (4.8mm)	9	11346004	27	B11155300AF	45	B1190522T0A	63	11346905	81	11347002	Spare parts type *補用パーツ仕様	Cut-before knife type 前メスタイプ
FB	3/16" (4.8mm)	10	11346004	28	B11155300AF	46	B1190522Y0C	64	11346905	82	11347002	Spare parts type *補用パーツ仕様	As compared with B1190522T00, the needle hole of which diameter is set to 1.9 to 1.2mm. B1190522T00に対し針穴径を1.9→1.2mmに
FC	3/16" (4.8mm)	11	11346004	29	B11155300AF	47	B1190522T0D	65	11346905	83	11347002	Special type 特別仕様	As compared with B1190522X00, the grooves of the feed dog are 3 rows instead of 2 rows. B1190522X00に対し、送り溝を2溝 3列にしたもの
G	27/128" (5.3mm)	12	11346004	30	B11155300AF	48	B1190522Y0F	66	11347101	84	11347200	Spare parts type *補用パーツ仕様	
H	1/4" (6.4mm)	13	11346004	31	B11155300AF	49	B1190522U00	67	11347101	85	11347200	Special type 特別仕様	In case of the gauge of 6mm or more, this gauge is packed with the accessories. (Limited to JA,JE,JH,TP.) ゲージ巾6mm以上の場合に付属同梱(JA,JE,JH,TP)に限定)
HA	1/4" (6.4mm)	14	11346301	32	B11155300AF	50	B1190522U0AA	68	11347101	86	11347200	Spare parts type *補用パーツ仕様	For preventing material from being caught by the 4-teeth food dog 4枚歯布ずまり防止用
K	5/16" (7.9mm)	15	11346004	33	B11155300AF	51	B1190522Y0B	69	11347101	87	11347200	Spare parts type *補用パーツ仕様	
M	3/8" (9.5mm)	16	11346004	34	B11155300AM	52	B1190522V00	70	11347309	88	11347408	Special type 特別仕様	
MA	3/8" (9.5mm)	17	11346004	35	B11155300AM	53	B1190522V0A	71	11347309	89	11347408	Spare parts type *補用パーツ仕様	As compared with B1190522V00, the feed amount of the feed dog is reduced. B1190522V00に対して送り溝長さを短縮
P	7/16" (11.1mm)	18	11346004	36	B11155300AM	54	B1190522Y0M	72	11347309	90	11347408	Spare parts type *補用パーツ仕様	

TABLE OF EXECHANGING GAUGES (1)

No.	Supply Code	Parts No.	Replacement	Parts name	Remarks	Choice	Step	Level	Cons	Qty	Rep. QTY
47	D	B1190522T0D		GAUGE 3/16TD						1	
48		B1190522Y0F		GAUGE 27/128						1	
49		B1190522U00		GAUGE PLATE 1/4(U)						1	
50		B1190522U0AA		GAUGE 1/4UA						1	
51		B1190522Y0B		GAUGE						1	
52		B1190522V00		GAUGE PLATE 3/8 (V)						1	
53		B1190522V0A		FEED VA						1	
54		B1190522Y0M		GAUGE						1	
55		11346905		WASTE MATERIAL GUARD E						1	
56		11346905		WASTE MATERIAL GUARD E						1	
57		11346905		WASTE MATERIAL GUARD E						1	
58		11346905		WASTE MATERIAL GUARD E						1	
59		11346905		WASTE MATERIAL GUARD E						1	
60		11346905		WASTE MATERIAL GUARD E						1	
61		11346905		WASTE MATERIAL GUARD E						1	
62		11346905		WASTE MATERIAL GUARD E						1	
63		11346905		WASTE MATERIAL GUARD E						1	
64		11346905		WASTE MATERIAL GUARD E						1	
65		11346905		WASTE MATERIAL GUARD E						1	
66		11347101		WASTE MATERIAL GUARD G						1	
67		11347101		WASTE MATERIAL GUARD G						1	
68		11347101		WASTE MATERIAL GUARD G						1	
69		11347101		WASTE MATERIAL GUARD G						1	
70		11347309		WASTE MATERIAL GUARD K						1	
71		11347309		WASTE MATERIAL GUARD K						1	
72		11347309		WASTE MATERIAL GUARD K						1	
73		11347002		WASTE MATERIAL GUARD E						1	
74		11347002		WASTE MATERIAL GUARD E						1	
75		11347002		WASTE MATERIAL GUARD E						1	
76		11347002		WASTE MATERIAL GUARD E						1	
77		11347002		WASTE MATERIAL GUARD E						1	
78		11347002		WASTE MATERIAL GUARD E						1	
79		11347002		WASTE MATERIAL GUARD E						1	
80		11347002		WASTE MATERIAL GUARD E						1	
81		11347002		WASTE MATERIAL GUARD E						1	
82		11347002		WASTE MATERIAL GUARD E						1	
83		11347002		WASTE MATERIAL GUARD E						1	
84		11347200		WASTE MATERIAL GUARD G						1	
85		11347200		WASTE MATERIAL GUARD G						1	
86		11347200		WASTE MATERIAL GUARD G						1	
87		11347200		WASTE MATERIAL GUARD G						1	
88		11347408		WASTE MATERIAL GUARD K						1	
89		11347408		WASTE MATERIAL GUARD K						1	
90		11347408		WASTE MATERIAL GUARD K						1	

TABLE OF EXCHANGING GAUGES (2)

Specifications of the sub-gauge サブゲージ仕様	Gauge width サブゲージ幅	1		2		3		4		Type 仕様	Note 備考
		Chip guard 布屑ガイド		Hinging presser (asm) 自由押え(組)		Feed dog 送り歯		Knife メス			
		Ref.no	Part no	Ref.no	Part no	Ref.no	Part no	Ref.no	Part no		
CA	5/64" (2.0mm)	1	11346400	19	B1524522NB0A	37	B1613522N00A	55	B4145530C00	Spare parts type 補用パーツ仕様	Cut-after knife type 後メスタイプ
C	3/32" (2.4mm)	2	11346400	20	B1524522NB0A	38	B1613522N00A	56	B4121522000	Special type 特別仕様	
CB	3/32" (2.4mm)	3	11346400	21	B1524522NB0A	39	B1613522N0C	57	B4121522000	Spare parts type 補用パーツ仕様	As compared with B1190522X00, the grooves of the feed dog are 3 rows instead of 2 rows. B1190522X00に対し、送り溝を2溝 3列にしたもの
D	1/8" (3.2mm)	4	11346400	22	B1524522NB0A	40	B1613522N00A	58	B4121522000	Standard type 標準仕様	In case of the gauge of 6mm or more, this gauge is packed with the accessories. (Limited to JA,JE,JH,TP.) ゲージφ6mm以上の場合に付属同梱(JA,JE,JH,TP)に限定
E	5/32" (4.0mm)	5	11346400	23	B1524522NB0A	41	B1613522N00A	59	B4121522000	Special type 特別仕様	
EA	5/32" (4.0mm)	6	11346400	24	B1524522NB0A	42	B1613522N00A	60	B4121522000	Spare parts type 補用パーツ仕様	For pattern seamer パターンシーマ用
EB	5/32" (4.0mm)	7	11346400	25	B1524522NB0A	43	B1613522N0D	61	B4121522000	Spare parts type 補用パーツ仕様	As compared with B1190522X00, the grooves of the feed dog are 3 rows instead of 2 rows. B1190522X00に対し、送り溝を2溝 3列にしたもの
F	3/16" (4.8mm)	8	11346400	26	B1524522NB0A	44	B1613522N00A	62	B4121522000	Special type 特別仕様	
FA	3/16" (4.8mm)	9	11346400	27	B1524522NB0A	45	B1613522N00A	63	B4121522A00	Spare parts type 補用パーツ仕様	Cut-before knife type 前メスタイプ
FB	3/16" (4.8mm)	10	11346400	28	B1524522NB0A	46	B1613522N00A	64	B4121522000	Spare parts type 補用パーツ仕様	As compared with B1190522T00 the needle hole of which diameter is set to φ1.9 to 1.2mm. B1190522T00に対し針穴径をφ1.9→1.2mmに
FC	3/16" (4.8mm)	11	11346400	29	B1524522NB0A	47	B1613522N0D	65	B4121522000	Special type 特別仕様	As compared with B1190522X00, the grooves of the feed dog are 3 rows instead of 2 rows. B1190522X00に対し、送り溝を2溝 3列にしたもの
G	2/128" (5.3mm)	12	11346400	30	B1524522NB0A	48	B1613522N00A	66	B4121522000	Spare parts type 補用パーツ仕様	
H	1/4" (6.4mm)	13	11346509	31	B1524522AB0	49	B1613522W00A	67	B4121522000	Special type 特別仕様	In case of the gauge of 6mm or more, this gauge is packed with the accessories. (Limited to JA,JE,JH,TP.) ゲージφ6mm以上の場合に付属同梱(JA,JE,JH,TP)に限定
HA	1/4" (6.4mm)	14	11346509	32	B1524522AB0	50	B1613522A0AA	68	B4121522000	Spare parts type 補用パーツ仕様	For preventing material from being caught by the 4-teeth food dog 4枚歯布すまり防止用
K	5/16" (7.9mm)	15	11346509	33	B1524522AB0	51	B1613522W00A	69	B4121522000	Spare parts type 補用パーツ仕様	
M	3/8" (9.5mm)	16	11346509	34	B1524522AB0	52	B1613522W00A	70	B4121522000	Special type 特別仕様	
MA	3/8" (9.5mm)	17	11346509	35	B1524522AB0	53	B1613522B00	71	B4122522000	Spare parts type 補用パーツ仕様	As compared with B1190522V00, the feed amount of the feed dog is reduced. B1190522V00に対して送り溝長さを短縮
P	7/16" (11.1mm)	18	11346608	36	B1524522AB0	54	B1613522W00A	72	B4121522000	Spare parts type 補用パーツ仕様	

TABLE OF EXECHANGING GAUGES (2)

No.	Supply Code	Parts No.	Replacement	Parts name	Remarks	Choice	Step	Level	Cons	Qty	Rep. QTY
1		11346400		WASTE MATERIAL GUIDE						1	
2		11346400		WASTE MATERIAL GUIDE						1	
3		11346400		WASTE MATERIAL GUIDE						1	
4		11346400		WASTE MATERIAL GUIDE						1	
5		11346400		WASTE MATERIAL GUIDE						1	
6		11346400		WASTE MATERIAL GUIDE						1	
7		11346400		WASTE MATERIAL GUIDE						1	
8		11346400		WASTE MATERIAL GUIDE						1	
9		11346400		WASTE MATERIAL GUIDE						1	
10		11346400		WASTE MATERIAL GUIDE						1	
11		11346400		WASTE MATERIAL GUIDE						1	
12		11346400		WASTE MATERIAL GUIDE						1	
13		11346509		WASTE MATERIAL GUIDE C						1	
14		11346509		WASTE MATERIAL GUIDE C						1	
15		11346509		WASTE MATERIAL GUIDE C						1	
16		11346509		WASTE MATERIAL GUIDE C						1	
17		11346509		WASTE MATERIAL GUIDE C						1	
18		11346608		WASTE MATERIAL GUIDE D						1	
19		B1524522NB0A		PRESSER FOOT ASM.						1	
20		B1524522NB0A		PRESSER FOOT ASM.						1	
21		B1524522NB0A		PRESSER FOOT ASM.						1	
22		B1524522NB0A		PRESSER FOOT ASM.						1	
23		B1524522NB0A		PRESSER FOOT ASM.						1	
24		B1524522NB0A		PRESSER FOOT ASM.						1	
25		B1524522NB0A		PRESSER FOOT ASM.						1	
26		B1524522NB0A		PRESSER FOOT ASM.						1	
27		B1524522NB0A		PRESSER FOOT ASM.						1	
28		B1524522NB0A		PRESSER FOOT ASM.						1	
29		B1524522NB0A		PRESSER FOOT ASM.						1	
30		B1524522NB0A		PRESSER FOOT ASM.						1	
31		B1524522AB0		PRESSER FOOT ASM.						1	
32		B1524522AB0		PRESSER FOOT ASM.						1	
33		B1524522AB0		PRESSER FOOT ASM.						1	
34		B1524522AB0		PRESSER FOOT ASM.						1	
35		B1524522AB0		PRESSER FOOT ASM.						1	
36		B1524522AB0		PRESSER FOOT ASM.						1	
37		B1613522N00A		FEED DOG						1	
38		B1613522N00A		FEED DOG						1	
39		B1613522N0C		FEED DOG (NC)						1	
40		B1613522N00A		FEED DOG						1	
41		B1613522N00A		FEED DOG						1	
42		B1613522N00A		FEED DOG						1	
43		B1613522N0D		FEED DOG ND						1	
44		B1613522N00A		FEED DOG						1	
45		B1613522N00A		FEED DOG						1	
46		B1613522N00A		FEED DOG						1	

TABLE OF EXCHANGING GAUGES (2)

Specifications of the sub-gauge サブゲージ仕様	Gauge width サブゲージ幅	1		2		3		4		Type 仕様	Note 備考
		Chip guard 布屑ガイド		Hinging presser (asm) 自由押え(組)		Feed dog 送り歯		Knife メス			
		Ref.no	Part no	Ref.no	Part no	Ref.no	Part no	Ref.no	Part no		
CA	5/64" (2.0mm)	1	11346400	19	B1524522NB0A	37	B1613522N00A	55	B4145530C00	Spare parts type 補用パーツ仕様	Cut-after knife type 後メスタイプ
C	3/32" (2.4mm)	2	11346400	20	B1524522NB0A	38	B1613522N00A	56	B4121522000	Special type 特別仕様	
CB	3/32" (2.4mm)	3	11346400	21	B1524522NB0A	39	B1613522N0C	57	B4121522000	Spare parts type 補用パーツ仕様	As compared with B1190522X00, the grooves of the feed dog are 3 rows instead of 2 rows. B1190522X00に対し、送り溝を2溝 3列にしたもの
D	1/8" (3.2mm)	4	11346400	22	B1524522NB0A	40	B1613522N00A	58	B4121522000	Standard type 標準仕様	In case of the gauge of 6mm or more, this gauge is packed with the accessories. (Limited to JA,JE,JH,TP.) ゲージφ6mm以上の場合に付属同梱(JA,JE,JH,TP)に限定
E	5/32" (4.0mm)	5	11346400	23	B1524522NB0A	41	B1613522N00A	59	B4121522000	Special type 特別仕様	
EA	5/32" (4.0mm)	6	11346400	24	B1524522NB0A	42	B1613522N00A	60	B4121522000	Spare parts type 補用パーツ仕様	For pattern seamer パターンシーマ用
EB	5/32" (4.0mm)	7	11346400	25	B1524522NB0A	43	B1613522N0D	61	B4121522000	Spare parts type 補用パーツ仕様	As compared with B1190522X00, the grooves of the feed dog are 3 rows instead of 2 rows. B1190522X00に対し、送り溝を2溝 3列にしたもの
F	3/16" (4.8mm)	8	11346400	26	B1524522NB0A	44	B1613522N00A	62	B4121522000	Special type 特別仕様	
FA	3/16" (4.8mm)	9	11346400	27	B1524522NB0A	45	B1613522N00A	63	B4121522A00	Spare parts type 補用パーツ仕様	Cut-before knife type 前メスタイプ
FB	3/16" (4.8mm)	10	11346400	28	B1524522NB0A	46	B1613522N00A	64	B4121522000	Spare parts type 補用パーツ仕様	As compared with B1190522T00 the needle hole of which diameter is set to φ1.9 to 1.2mm. B1190522T00に対し針穴径をφ1.9→1.2mmに
FC	3/16" (4.8mm)	11	11346400	29	B1524522NB0A	47	B1613522N0D	65	B4121522000	Special type 特別仕様	As compared with B1190522X00, the grooves of the feed dog are 3 rows instead of 2 rows. B1190522X00に対し、送り溝を2溝 3列にしたもの
G	2/128" (5.3mm)	12	11346400	30	B1524522NB0A	48	B1613522N00A	66	B4121522000	Spare parts type 補用パーツ仕様	
H	1/4" (6.4mm)	13	11346509	31	B1524522AB0	49	B1613522W00A	67	B4121522000	Special type 特別仕様	In case of the gauge of 6mm or more, this gauge is packed with the accessories. (Limited to JA,JE,JH,TP.) ゲージφ6mm以上の場合に付属同梱(JA,JE,JH,TP)に限定
HA	1/4" (6.4mm)	14	11346509	32	B1524522AB0	50	B1613522A0AA	68	B4121522000	Spare parts type 補用パーツ仕様	For preventing material from being caught by the 4-teeth feed dog 4枚歯布すまり防止用
K	5/16" (7.9mm)	15	11346509	33	B1524522AB0	51	B1613522W00A	69	B4121522000	Spare parts type 補用パーツ仕様	
M	3/8" (9.5mm)	16	11346509	34	B1524522AB0	52	B1613522W00A	70	B4121522000	Special type 特別仕様	
MA	3/8" (9.5mm)	17	11346509	35	B1524522AB0	53	B1613522B00	71	B4122522000	Spare parts type 補用パーツ仕様	As compared with B1190522V00, the feed amount of the feed dog is reduced. B1190522V00に対して送り溝長さを短縮
P	7/16" (11.1mm)	18	11346608	36	B1524522AB0	54	B1613522W00A	72	B4121522000	Spare parts type 補用パーツ仕様	

TABLE OF EXECHANGING GAUGES (2)

No.	Supply Code	Parts No.	Replacement	Parts name	Remarks	Choice	Step	Level	Cons	Qty	Rep. QTY
47		B1613522N0D		FEED DOG ND						1	
48		B1613522N00A		FEED DOG						1	
49		B1613522W00A		FEED DOG						1	
50		B1613522A0AA		FEED A						1	
51		B1613522W00A		FEED DOG						1	
52		B1613522W00A		FEED DOG						1	
53		B1613522B00		FEED DOG B						1	
54		B1613522W00A		FEED DOG						1	
55		B4145530C00		KNIFE (C)						1	
56		B4121522000		KNIFE						1	
57		B4121522000		KNIFE						1	
58		B4121522000		KNIFE						1	
59		B4121522000		KNIFE						1	
60		B4121522000		KNIFE						1	
61		B4121522000		KNIFE						1	
62		B4121522000		KNIFE						1	
63		B4121522A00		KNIFE A						1	
64		B4121522000		KNIFE						1	
65		B4121522000		KNIFE						1	
66		B4121522000		KNIFE						1	
67		B4121522000		KNIFE						1	
68		B4121522000		KNIFE						1	
69		B4121522000		KNIFE						1	
70		B4121522000		KNIFE						1	
71		B4122522000		WASHER						1	
72		B4121522000		KNIFE						1	

HOW TO MAKE USE OF THIS PARTS LIST

1.Explanation of codes

1)"*"mark.....means this part is changed from the previous parts book.

As to the details of the change, refer to the "List for information of change".

2)"#01".....refer to "Note" explanation at bottom of page.

2.Codes on the "Qty" column

• Each numeral indicates the number of parts required.

• "0.1" and "2.5" indicate the length (in meters) of the respective parts.

3.Parentheses mean that the corresponding part is a subpart that constructs an assembly part.

4.Dotted lines on the Figures indicate assembly parts.

1."注記"欄の記号説明

1) "*"印.....前回のパーツブックに比較して今回変更された部品を意味します。

変更内容は、"変更情報リスト"を参照してください。

2) "#01".....ページ下の"注記"の説明を参照してください。

2.数量欄の数字は、個数を表し、0.1、2.5等の数値は、長さ（単位メートル）を表します。

3.数量欄の（ ）は、組部品を構成している子部品であることを意味します。

4.イラストページの-----枠は、組構成であることを意味します。

NUMERICAL INDEX OF PARTS

PART NO	PAGE	REF NO.	PART NO	PAGE	REF NO.	PART NO	PAGE	REF NO.
11000304	2	2	11361003	22	31	22910806	12	27
11002409	6	29	11362753	28	42	22910905	12	23
11002904	6	36	11415205	4	53	22911002	12	39
11003308	2	11	12341806	22	35	22911101	12	13
11004207	8	25	22900401	2	10	22911408	12	1
11008455	12	26	22900609	2	20	22911507	12	2
11009404	12	22	22900757	2	6	22911705	12	5
11009701	12	4	22901003	4	47	22911804	12	7
11010303	12	17	22901201	2	44	22912000	12	9
11015906	8	34	22901250	2	43	22912109	12	8
11017357	6	2	22901300	2	45	22912257	12	19
11023108	22	3	22901409	8	1	22912505	12	20
11024304	22	30	22901805	4	62	22912752	14	64
11047107	22	4	22903306	6	41	22912802	14	59
11071362	6	32	22903900	6	34	22912901	12	38
11071909	12	10	22904155	6	21	22913008	14	60
11092558	10	10	22904155	14	61	22913701	12	37
11330602	2	3	22905004	8	22	22915003	12	15
11331204	8	9	22905103	8	24	22915151	14	44
11331303	8	23	22906101	8	2	22915201	14	47
11331402	2	39	22906200	8	7	22915359	14	57
11331758	20	8	22906457	8	5	22916001	8	30
11332202	16	21	22906606	6	8	22916100	8	40
11332301	16	35	22907208	10	28	22916308	8	26
11332400	16	1	22907307	10	30	22916407	8	31
11336559	2	1	22907406	10	27	22916506	8	35
11346004	4	58	22907505	10	24	22916555	8	33
11346004	28	18	22907554	10	23	22917058	8	38
11346301	28	14	22907604	10	25	22917157	8	28
11346400	4	54	22907703	10	26	22918064	6	5
11346400	32	12	22907802	10	1	22918072	6	4
11346509	32	17	22908008	10	7	22918106	6	7
11346608	32	18	22908156	10	5	22918304	6	6
11346905	4	57	22908305	10	8	22918403	6	9~12
11346905	30	65	22908354	10	4	22918502	6	9~12
11347002	30	83	22908701	10	11	22918601	6	9~12
11347101	30	69	22908800	10	15	22918700	6	9~12
11347200	30	87	22908909	10	12	22919203	6	3
11347309	30	72	22909006	10	14	22920003	10	22
11347408	30	90	22910004	6	25	22920102	10	9
11349008	6	31	22910053	6	23	22920201	10	18
11349107	6	37	22910103	6	26	22920300	10	21
11349453	6	38	22910202	12	12	22920409	10	19
11360708	22	2	22910251	12	11	22920508	2	23
11360757	22	1	22910350	12	42	22920706	2	19

NUMERICAL INDEX OF PARTS

PART NO	PAGE	REF NO.	PART NO	PAGE	REF NO.	PART NO	PAGE	REF NO.
22920904	2	36	22930556	26	15	40089548	12	24
22921001	2	24	22930705	26	7	40090058	8	4
22921209	2	31	22930804	26	5	40093417	12	25
22921308	2	26	22930903	26	4	40094031	16	30
22921407	2	27	22931000	26	3	40095783	6	15
22921506	2	30	22931109	26	2	40095784	6	16
22921605	2	32	22931307	26	11	40097022	6	13
22921704	2	28	22931406	26	8	40100084	14	51
22921803	2	29	22932107	22	8	40101720	22	16
22923015	20	19	22932156	22	7	40105231	6	30
22923056	20	16	22932206	22	11	40116677	4	64
22923205	20	22	22932305	22	17	B1115522000A	4	50
22923312	20	17	22932404	22	14	B11155300AF	28	33
22923403	20	24	22932453	22	13	B11155300AM	28	36
22923502	20	26	22932503	2	13	B111553100D	4	49
22923601	20	25	22932552	2	12	B11155310AD	4	48
22923700	20	20	22932602	2	14	B11155310AD	28	25
22923809	20	23	22932701	2	15	B1190522S00	2	37
22923908	20	27	22932909	8	36	B1190522S00	28	40
22924005	20	28	22933402	24	2	B1190522T00	28	44
22924302	20	9	22933451	24	1	B1190522T0A	28	45
22924401	20	3	22933501	24	3	B1190522T0D	30	47
22924500	20	11	22933600	24	5	B1190522U00	30	49
22924609	20	5	22933659	24	4	B1190522U0AA	30	50
22924708	20	1	22933758	24	6	B1190522V00	30	52
22924807	20	12	22933907	24	7	B1190522V0A	30	53
22924906	20	14	22934004	24	8	B1190522X00	28	38
22925002	20	15	22934202	22	22	B1190522X0B	28	39
22925101	20	7	22934251	22	19	B1190522Y00	28	41
22927305	24	28	22934301	22	23	B1190522Y0A	28	37
22927354	24	13	22934400	22	21	B1190522Y0B	30	51
22927404	24	29	22934509	22	25	B1190522Y0C	28	46
22927602	24	25	22934608	22	20	B1190522Y0F	30	48
22928105	24	22	22934707	22	15	B1190522Y0M	30	54
22928303	24	21	22940654	14	54	B1190522Y0R	28	43
22928402	24	20	22940803	12	30	B1193530000	4	56
22928501	24	14	22941306	12	35	B1215552000	6	40
22928709	24	27	22945307	2	33	B13050120A0	8	13
22928808	24	18	22945356	2	25	B13061550A0	8	15
22928907	24	16	22971857	12	34	B13061550B0	8	12
22929004	24	17	40053719	22	34	B13061550C0	8	11
22930309	26	14	40056521	22	33	B13071550A0	8	18
22930358	26	1	40060989	10	33	B13071550B0	8	17
22930408	26	10	40064815	22	26	B13081550A0	8	20
22930507	26	9	40080466	16	19	B1401522A00A	8	3

NUMERICAL INDEX OF PARTS

PART NO	PAGE	REF NO.	PART NO	PAGE	REF NO.	PART NO	PAGE	REF NO.
B1401522B00A	8	42	B8228125000	22	36	SS1110840SP	2	4
B1414555000	18	42	CM300200001	4	61	SS2110920TP	2	59
B1501522000	10	29	CM301300001	4	63	SS2110920TP	4	59
B1521555000	10	2	CQ202000000	10	20	SS4080310SP	4	52
B1524522AB0	32	36	CQ252000000	20	10	SS4080620TP	12	33
B1524522NB0A	10	35	MC200500900	8	27	SS4080620TP	16	13
B1524522NB0A	32	30	MDB100B1400	8	10	SS4090615SP	6	27
B1613522A0AA	34	50	NM6040001SD	16	33	SS4090815SP	16	6
B1613522B00	34	53	NM6050001SE	26	17	SS4110515SP	12	36
B1613522N00A	12	32	NM6060001SE	22	18	SS4110515SP	24	15
B1613522N00A	32	48	NM6160511SE	26	18	SS4110715SP	22	28
B1613522N00A	34	48	NS6090310SP	16	7	SS4110915TP	8	32
B1613522N0C	32	39	NS6090310SP	22	29	SS4120615SP	2	22
B1613522N0D	32	47	NS6110420SP	16	12	SS4120615SP	20	6
B1613522N0D	34	47	NS6120310SP	16	8	SS4120915SP	2	9
B1613522W00A	34	54	NS6680410SP	12	41	SS4120915SP	8	41
B18301270A0	8	43	PS0400082KP	6	14	SS4121415SP	24	9
B18370120A0	8	37	RC0150001KP	12	53	SS4121615SP	2	42
B4102522000	18	45	RC0150001KP	14	53	SS4150915SP	20	13
B41035220A0A	16	24	RC1850001KP	6	28	SS6060210SP	4	46
B4106522000B	16	37	RE0200000K0	16	27	SS6080320SP	4	51
B4107522000	16	39	RE0500000K0	10	17	SS6080410SP	2	60
B4108522000	16	40	RE0500000K0	12	21	SS6080410SP	4	60
B4109522000A	16	31	RE1000000K0	22	12	SS6090620TP	12	40
B4110522000	16	32	RO029180100	6	35	SS6090670TP	8	6
B4111522000A	16	25	RO037180100	10	3	SS6090670TP	12	3
B4113522000A	16	18	RO044240100	6	19	SS6090810TP	16	20
B4114522000	16	34	RO078190100	14	63	SS6090910SP	10	32
B4115522000	16	22	RO092270200	12	16	SS6110420TP	8	29
B4116530000	18	43	RO098240100	22	6	SS6110610TP	2	40
B4119522000	16	9	RO195240100	20	2	SS6110810TP	16	17
B4120522000	16	16	SD0380552SL	2	16	SS6111010TP	16	11
B4121522000	16	15	SD0490261SP	24	23	SS6111010TP	20	29
B4121522000	34	72	SD0720331SP	10	16	SS6121010SP	16	10
B4121522A00	34	63	SD1000801SH	14	46	SS6121060SP	16	41
B4122522000	16	14	SE4301041SR	20	21	SS6121610SP	12	43
B4122522000	34	71	SK3412000SC	22	27	SS6121860SP	14	67
B4123522000	16	36	SK3412000SC	24	31	SS6661110SP	6	24
B4124522000	16	28	SL4030851SF	20	18	SS6700710SH	22	5
B4125522000	16	26	SM4051405SE	26	12	SS7080510TP	8	8
B4126522000A	16	29	SM6061610SC	26	6	SS7081310SP	24	24
B4131522000	16	2	SM8061010TP	14	65	SS7091110SP	22	32
B4132522000A	16	38	SM8061050TP	14	66	SS7091110TP	10	34
B4133522000	16	4	SM8063012TR	22	10	SS7110350SP	24	19
B4145530C00	34	55	SM9061203SE	22	24	SS7110740TP	14	52

NUMERICAL INDEX OF PARTS

PART NO	PAGE	REF NO.
SS7111120SP	14	58
SS7120770SH	12	6
SS7121410TP	14	55
SS7121610SP	14	45
SS7150940SP	6	39
SS7681650TP	6	20
SS8090670SP	2	34
SS8110410TP	8	39
SS8110510SP	24	26
SS8150710TP	2	35
SS8150710TP	12	28
SS8151150TP	6	1
SS8151550SP	6	33
SS8660610TP	6	22
SS8660610TP	14	62
SS8660810TP	8	21
SS8660810TP	10	31
SS8681650TP	6	17
SS9120910TP	18	44
TA0850604R0	2	7
TA1250406R0	2	41
TA1250705R0	2	8
TA2000502R0	2	17
TA2101002R0	2	18
WP0450826SC	24	30
WP0480856SP	14	56
WP0480856SP	16	23
WP0501016SD	24	10
WP1612616SE	26	19
WS0510002KN	26	16
WS1643202KR	26	20