

MODEL : FBS-340N/FBS-340N-1

List No : 0770-03

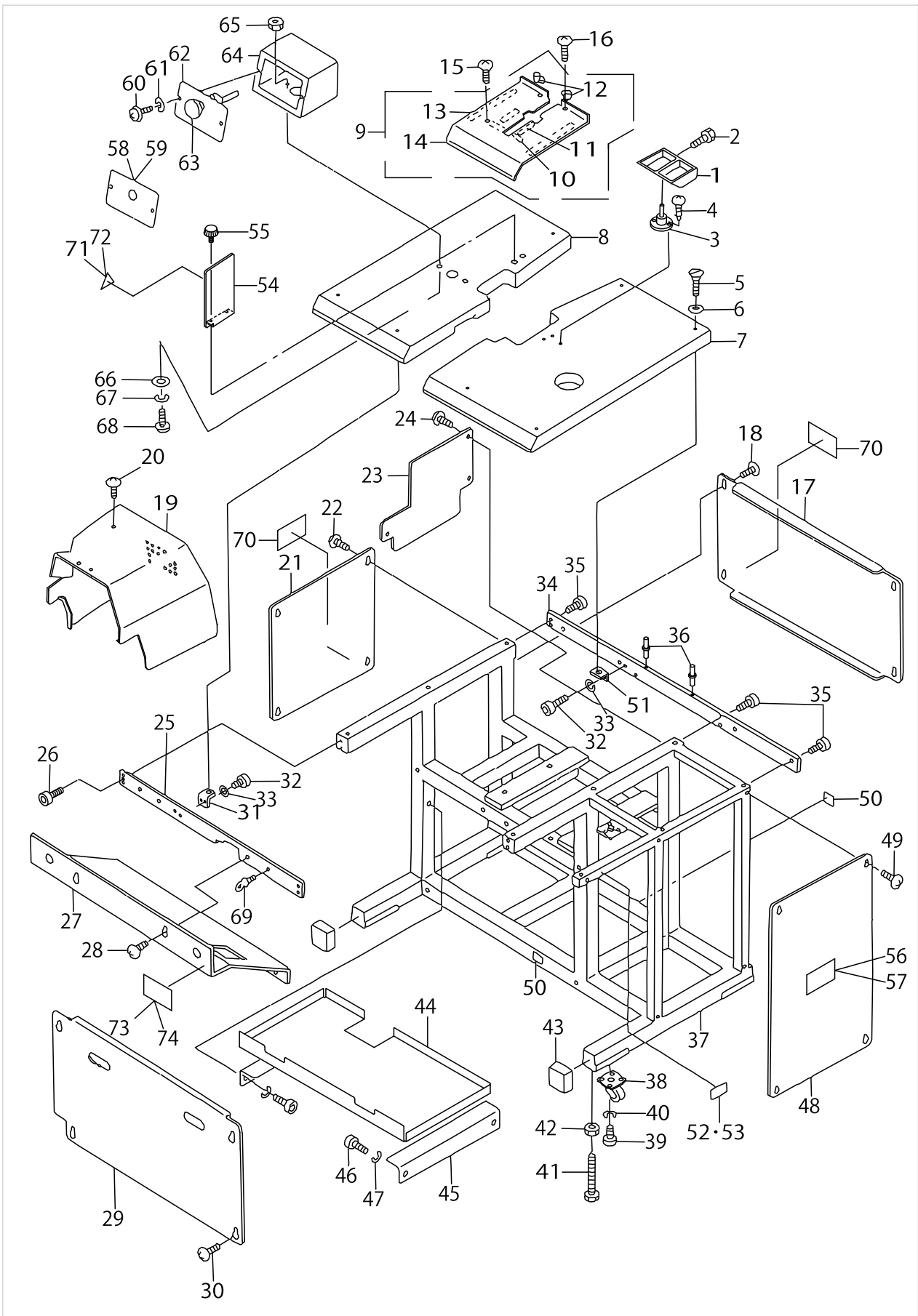
PARTS LIST

Published:05/12/2017

CONTENTS

FRAME & COVER COMPONENTS.....	1
INSTALLATION BASE COMPONENTS.....	5
PEDAL SWITCH COMPONENTS.....	7
CAM, SENSOR & LOOPER COMPONENTS.....	11
CAM & LOOPER COMPONENTS.....	15
TENSION COMPONENTS.....	17
BUTTON SUPPLY COMPONENTS.....	21
SNAPPER COMPONENTS.....	25
LOOPER COVER COMPONENTS.....	29
THREAD GUIDE COMPONENTS.....	33
X-Y TABLE COMPONENTS.....	35
X-Y TABLE & TONGS RETURN COMPONENTS.....	37
BUTTON CHUCK COMPONENTS.....	41
THROAT PLATE & TONGS COMPONENTS.....	47
NEEDLE BAR COMPONENTS (1).....	53
NEEDLE BAR COMPONENTS (2).....	57
CONTROL BOX COMPONENTS.....	59
CABLE COMPONENTS.....	63
PNEUMATIC COMPONENTS.....	67
THREAD STAND UNIT COMPONENTS.....	69
THREADING UNIT COMPONENTS (FOR 340N-1).....	71
THREAD TRIMMER COMPONENTS (FOR 340N-1).....	73
CYLTHREADING INDER COMPONENTS (FOR 340N-1).....	75
PNEUMATIC COMPONENTS (FOR 340N-1).....	77
ACCESSORIES COMPONENTS.....	79
4-HOLED BUTTON ATTACHMENT (S151) COMPONENTS.....	81
2-HOLED BUTTON ATTACHMENT (S152) COMPONENTS.....	83
OPTIONAL PART COMPONENTS (1).....	85
OPTIONAL PART COMPONENTS (2).....	87
LIST FOR INFORMATION OF CHANGE.....	89
HOW TO MAKE USE OF THIS PARTS LIST.....	90

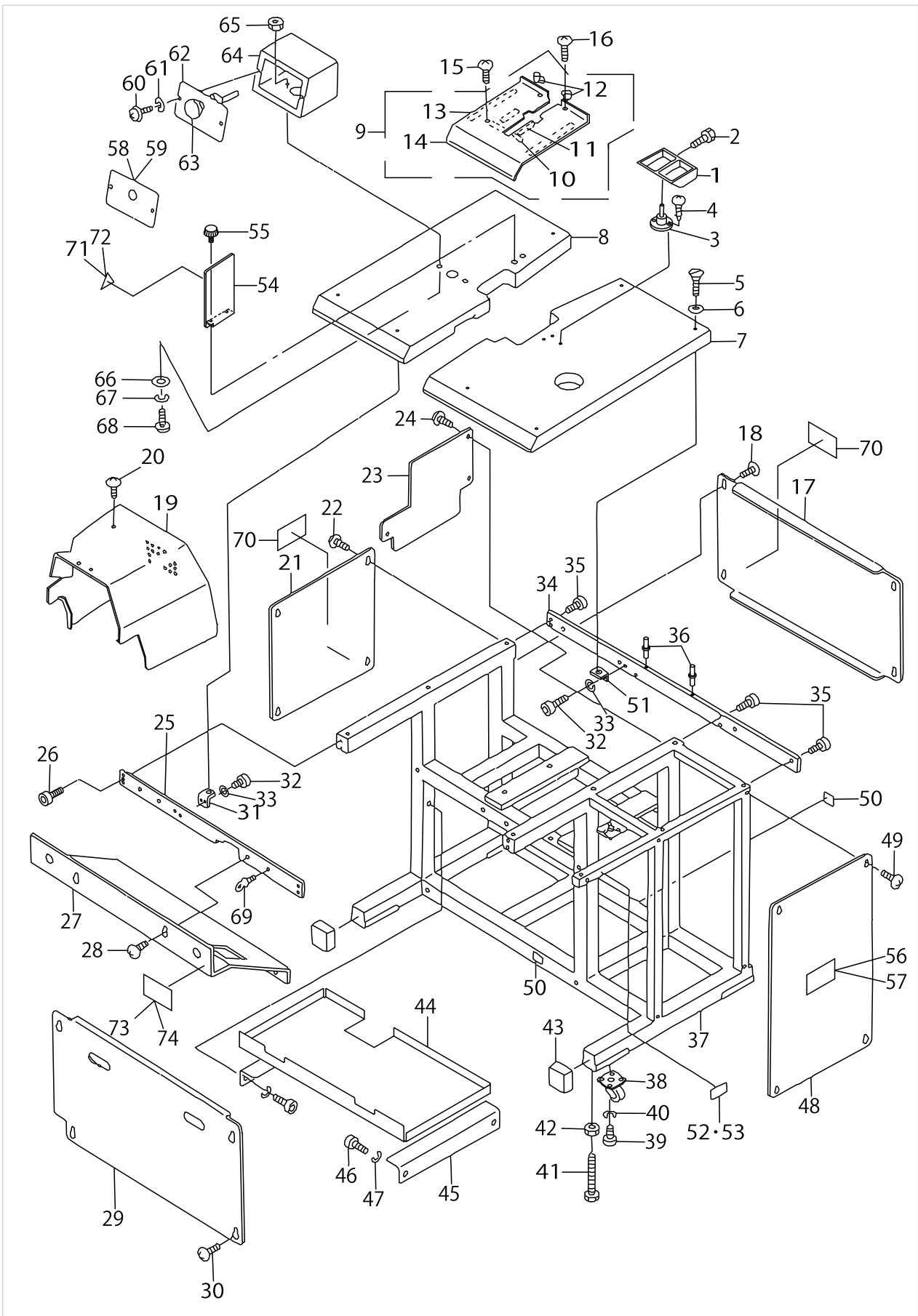
FRAME & COVER COMPONENTS



FRAME & COVER COMPONENTS

No.	Supply Code	Parts No.	Replacement	Parts name	Remarks	Choice	Step	Level	Cons	Qty	Rep. QTY
1		17848458		BUTTON TRAY ASM.						1	
2		SS9151210TP		SCREW 15/64-28 L=11.8						1	
3	R	17848508	40033635	BUTTON TRAY BASE						1	1.00
4	R	SK3412000SC	SK3412000SE	WOOD SCREW D=4.1 L=20						3	1.00
5		SM1045001SB		SCREW M4X0.7 L=50						11	
6		G5021116000		FLAT WASHER						11	
7		17780602		TABLE RIGHT						1	
8		17780701		TABLE LEFT						1	
9		17789454		X-Y TABLE COVER ASM.						1	
10		G5480340000		RUBBER CUSHION A				*		2	
11		G5481340000		RUBBER CUSHION B				*		2	
12	D	G5482340000		RUBBER CUSHION C				*		2	
13		17789504		RUBBER CUSHION D				*		2	
14	D	17789405		X-Y TABLE COVER				*		1	
15		SM0041201SA		SCREW M4X0.7 L=12						2	
16		SM0042501SN		SCREW						2	
17		17780305		REAR PANEL						1	
18		SM0050801SC		SCREW						4	
19		17781501		FRAME COVER						1	
20		SM0050801SC		SCREW						4	
21		17780206		LEFT PANEL						1	
22		SM0050801SC		SCREW						4	
23		17781402		DRIVER COVER						1	
24		SM0051001SC		SCREW						4	
25		17781006		CONNECTING PLATE FRONT						1	
26	R	SM6061552TP	SM6061552SP	SCREW M6 L=15						4	1.00
27	D	17780503		FRONTPANELUPPER						1	
28		SM0050801SC		SCREW						4	
29		17780404		FRONTPANELLOWER						1	
30		SM0050801SC		SCREW						4	
31		G5010340000		TABLE INSTALLING BRACKET						1	
32		SM6041002TP		SCREW M4 L=10						4	
33		WS0410002KN		SPRING WASHER						4	
34		17777301		CONNECTING PLATE REAR						1	
35	R	SM6061552TP	SM6061552SP	SCREW M6 L=15						5	1.00
36		G5019340000		FIXED PIN						2	
37		17780008		FRAME						1	
38	D	G5846116000		CASTER						4	
39		SM6061002TP		SCREW M6 L=10						16	
40		WS0610002KN		SPRING WASHER 6.1X12.2X1.5						16	
41		16781205		ADJUST BOLT						4	
42	R	NM6120001SC	NM6120002SE	NUT M12						4	1.00
43		G5027340000		CAP						2	
44		17781105		BUTTON RECEIVING BOX						1	
45		17781204		RECEIVING BOX RAIL						2	
46		SM6051202TP		SCREW M5X0.8 L=12						4	

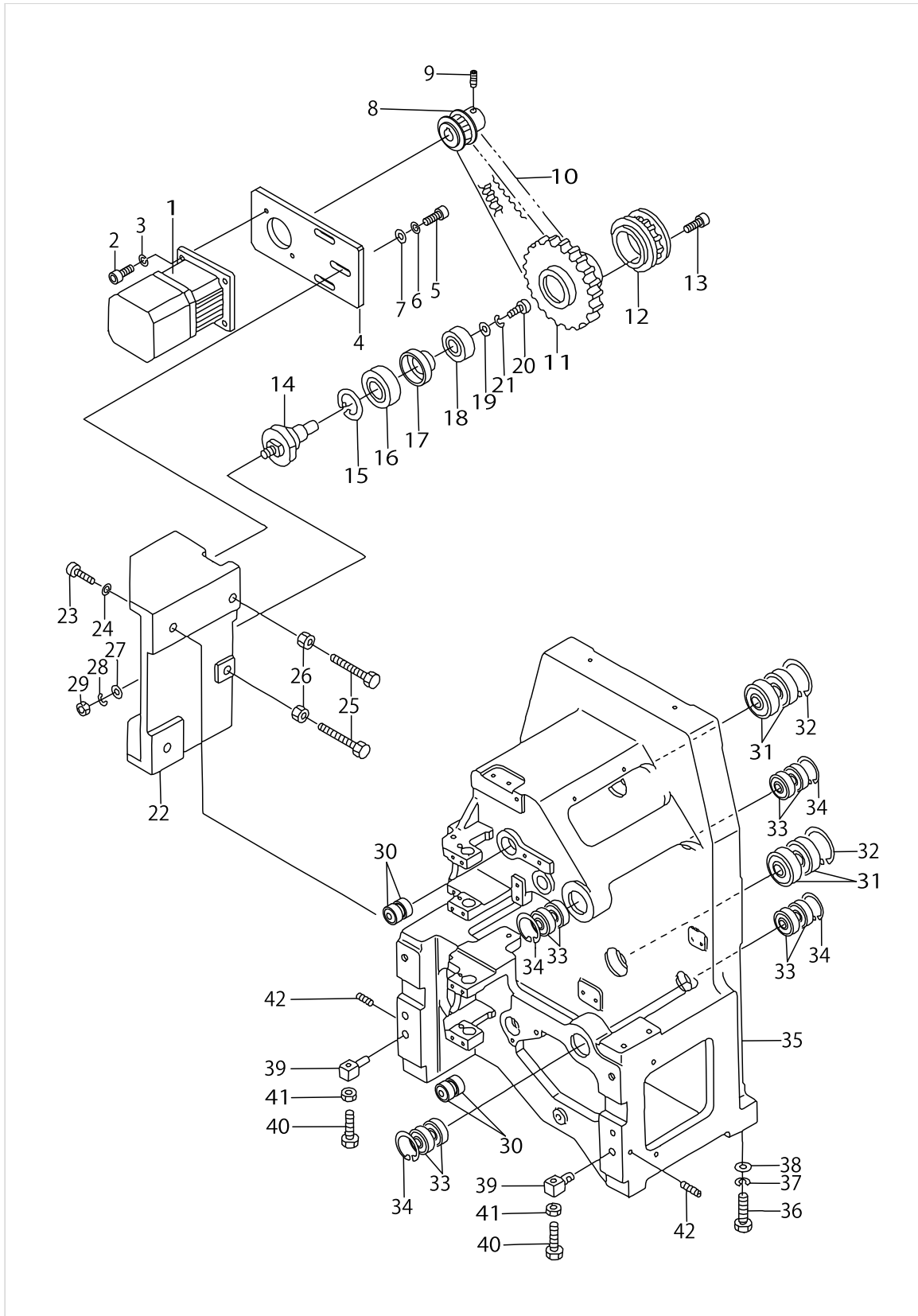
FRAME & COVER COMPONENTS



FRAME & COVER COMPONENTS

No.	Supply Code	Parts No.	Replacement	Parts name	Remarks	Choice	Step	Level	Cons	Qty	Rep. QTY
47		WS0510002KN		SPRING WASHER						4	
48		17780107		RIGHT PANEL						1	
49		SM0050801SC		SCREW						4	
50		16870206		GRAVITY SEAL						2	
51		17796400		TABLE INSTALLING BRACKET						1	
52		17781709		COMPLETE NAME PLATE						1	
53		17781600		COMPLETE NAME PLATE	FOR 340N-1					1	
54		17781303		ADJUSTMENT PART COVER						1	
55		SM0041001SC		SCREW M4 L=10						2	
56		CM300100102		DANGER LABEL (LARGE)	FOR JAPAN					1	
57		CM500000001		POWER SOURCE INDICATION LABEL	FOR EXPORT					1	
58	D	G60733400A0		START SWITCH SHEET	FOR JAPAN					1	
59		G60773400A0		START SWITCH SHEET	FOR EXPORT					1	
60		SL4030681SC		SCREW M3 L=6						2	
61		WS0310002KN		SPRING WASHER M3						2	
62		17773607		SWITCH BOX COVER						1	
63		17771957		START SWITCH CABLE ASM.						1	
64		17773508		SWITCH BOX						1	
65		NM6040001SC		NUT M4						2	
66		WP0430800SC		WASHER M4						2	
67		WS0410002KN		SPRING WASHER						2	
68		SM4044001SF		SCREW M4X0.7 L=40						2	
69		GPK12027000		NUT						4	
70		CM300600102		LABEL(LARGE)	FOR JAPAN					2	
71		CM3002000A3		LABEL (31.5)	FOR JAPAN					1	
72		CM300200001		ATTENTION SEAL	FOR EXPORT					1	
73		CM300200301		SAFETY LABEL 5(SMALL).	FOR JAPAN					1	
74		CM3002003A1		SAFETY LABEL6 (SMALL).	FOR EXPORT					1	

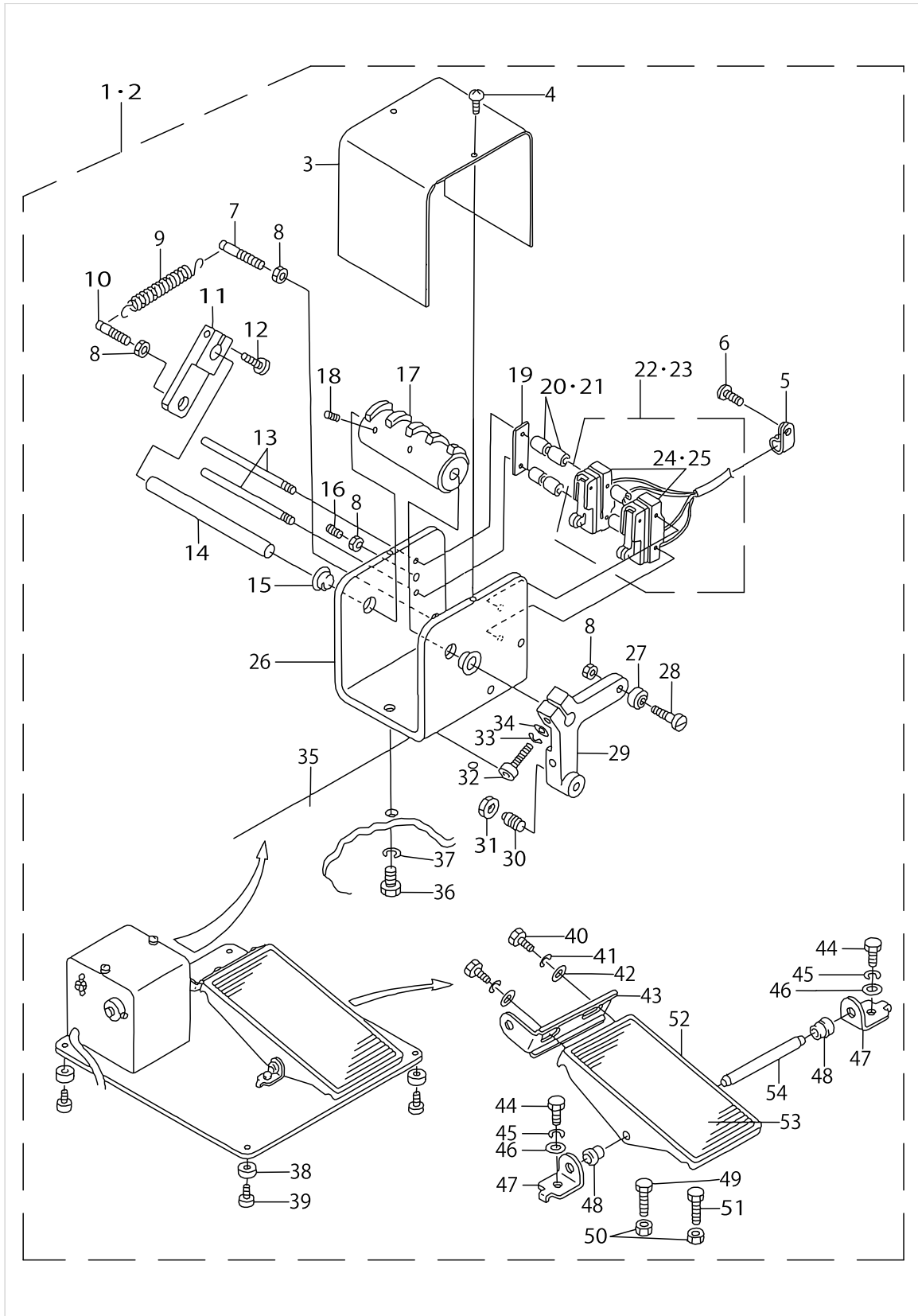
INSTALLATION BASE COMPONENTS



INSTALLATION BASE COMPONENTS

No.	Supply Code	Parts No.	Replacement	Parts name	Remarks	Choice	Step	Level	Cons	Qty	Rep. QTY
1	D	17770553		MAIN SHAFT MOTOR ASM.						1	
2		SM6041602TP		SCREW M4X0.7 L=16						4	
3		WS0410002KR		SPRING WASHER M4						4	
4		18199406		MOTOR PLATE(N)						1	
5		SM6062002TP		SCREW M6 L=20						3	
6		WS0610002KN		SPRING WASHER 6.1X12.2X1.5						3	
7		WP0641601SC		WASHER						3	
8		17783408		MOTOR PULLEY						1	
9		SM8040502TP		SCREW M4X0.7 L=5						2	
10		17797903		TIMING BELT A						1	
11		17782509		REDUCTION PULLEY 1						1	
12		17783309		REDUCTION PULLEY 2						1	
13		SM6041502TP		SCREW M4X0.7 L=15						4	
14		17783200		REDUCTION PULLEY SHAFT						1	
15	D	RC3200002K0		RETAINING RING						1	
16		17797705		BEARING A						1	
17		17783903		BEARING COLLAR						1	
18		17797804		BEARING B						1	
19		17797606		WASHER A FOR BEARING						1	
20	R	SM6061552TP	SM6061552SP	SCREW M6 L=15						1	1.00
21		WS0610002KN		SPRING WASHER 6.1X12.2X1.5						1	
22		17782400		REDUCTION BASE						1	
23	D	SM6102512TP		SCREW M10X1.5 L=25.0						2	
24		WS1020002KN		SPRING WASHER M10						2	
25		17799107		REDUCTION BASE SCREW						2	
26		NM6060001SC		NUT M6						2	
27		17797507		PULLEY SHAFT WASHER						1	
28		WS1020002KN		SPRING WASHER M10						1	
29		NM6100001SC		NUT M10X1.5						1	
30	D	G5162340000		BEARING						4	
31	D	G5163340000		BEARING						4	
32	D	G5165340000		RETAINING RING						2	
33		SB115000200		BEARING						8	
34		G5166340000		RETAINING RING						4	
35		G5101340000		INSTALLATION BASE						1	
36		17799008		INSTALLATION BASE SCREW						4	
37		WS1020002KN		SPRING WASHER M10						4	
38		WP1052001SC		WASHER 10 5X21X2						4	
39		G5134340000		ADJUSTING BOSS						2	
40		SM9083503SC		SCREW M8 L=35						2	
41		NM6080001SC		NUT M8X1.25						2	
42		SM8061002TP		SCREW M6 L=10						2	

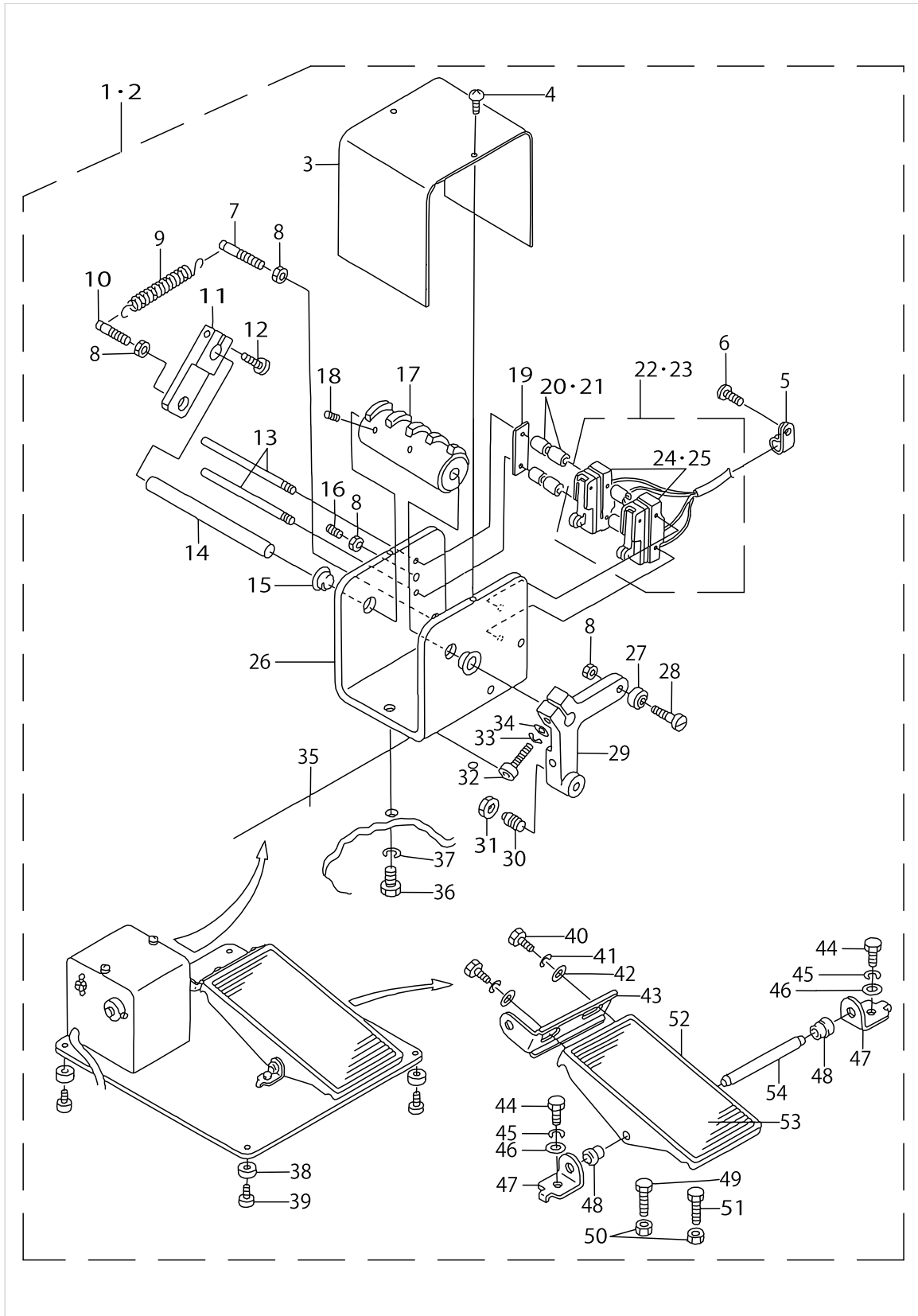
PEDAL SWITCH COMPONENTS



PEDAL SWITCH COMPONENTS

No.	Supply Code	Parts No.	Replacement	Parts name	Remarks	Choice	Step	Level	Cons	Qty	Rep. QTY
1		17773961		SWITCH PEDAL ASM.						1	
2		17774068		SWITCH PEDAL ASM.	FOR 340N-1					1	
3	D	G5077116A00		LIMITING BOX COVER				*		1	
4		SM0040601SC		SCREW M4X0.7 L=6				*		2	
5		HX00123000A		CABLE CLIP				*		1	
6		SM0040601SC		SCREW M4X0.7 L=6				*		1	
7	D	G5074116000		ANCHOR A				*		1	
8		NM6060001SC		NUT M6				*		4	
9	D	G5078116000		SWITCH SPRING				*		1	
10	D	G5075116A00		ANCHOR				*		1	
11	R	G5088116A00	G5088116AA0	ANCHOR ARM				*		1	1.00
12		SM6051552TP		SCREW M5 L=15				*		1	
13	D	G5067116A00		LIMITER INSTALLATION ROD				*		2	
14	D	G5069116A00		SHAFT				*		1	
15	D	G5854116000		DRY BEARING				*		2	
16	R	SM8061552TP	SM8061552SP	SCREW M6 L=15				*		1	1.00
17		G5065116A00		SWITCH DRUM				*		1	
18		SM8050812TP		SCREW M5X8				*		2	
19	D	G5087116A00		WASHER PLATE				*		1	
20		G5029340000		SPACER				*		6	
21		G5029340000		SPACER	FOR 340N-1			*		4	
22		17773953		SWITCH CABLE ASM.				*		1	
23		17774050		SWITCH CABLE ASM.	FOR 340N-1			*		1	
24		HA000700000		MICROSWITCH				*		2	
25		HA000700000		MICROSWITCH	FOR 340N-1			*		3	
26	R	G5064116000	G5064116A00	LIMITING BOX				*		1	1.00
27	D	G5072116000		ROLLER				*		1	
28	D	G5073116000		ROLLER PIN				*		1	
29		16749418		FOOT LEVER				*		1	
30	D	16721102		BALL PLUNGER				*		1	
31		NM6080001SC		NUT M8X1.25				*		1	
32		SM6062502TP		SCREW M6 L=25				*		1	
33		WS0610002KN		SPRING WASHER 6.1X12.2X1.5				*		1	
34		WP0641601SC		WASHER				*		1	
35		16748204		PEDAL BASE				*		1	
36		SM9081553SB		SCREW M8 L=15				*		2	
37		WS0820002KN		SPRING WASHER M8				*		2	
38		G5840116000		RUBBER FOOT				*		4	
39		SM6041002TP		SCREW M4 L=10				*		4	
40	R	SM9062003SE	SM9062003SC	SCREW M6 L=20				*		2	1.00
41		WS0610002KN		SPRING WASHER 6.1X12.2X1.5				*		2	
42		WP0641601SC		WASHER				*		2	
43		GPF06080000		PEDAL ADJUSTING PLATE				*		1	
44		SM6082002TP		SCREW M8 L=20				*		2	
45		WS0820002KN		SPRING WASHER M8				*		2	
46		WP0841600SC		WASHER				*		2	

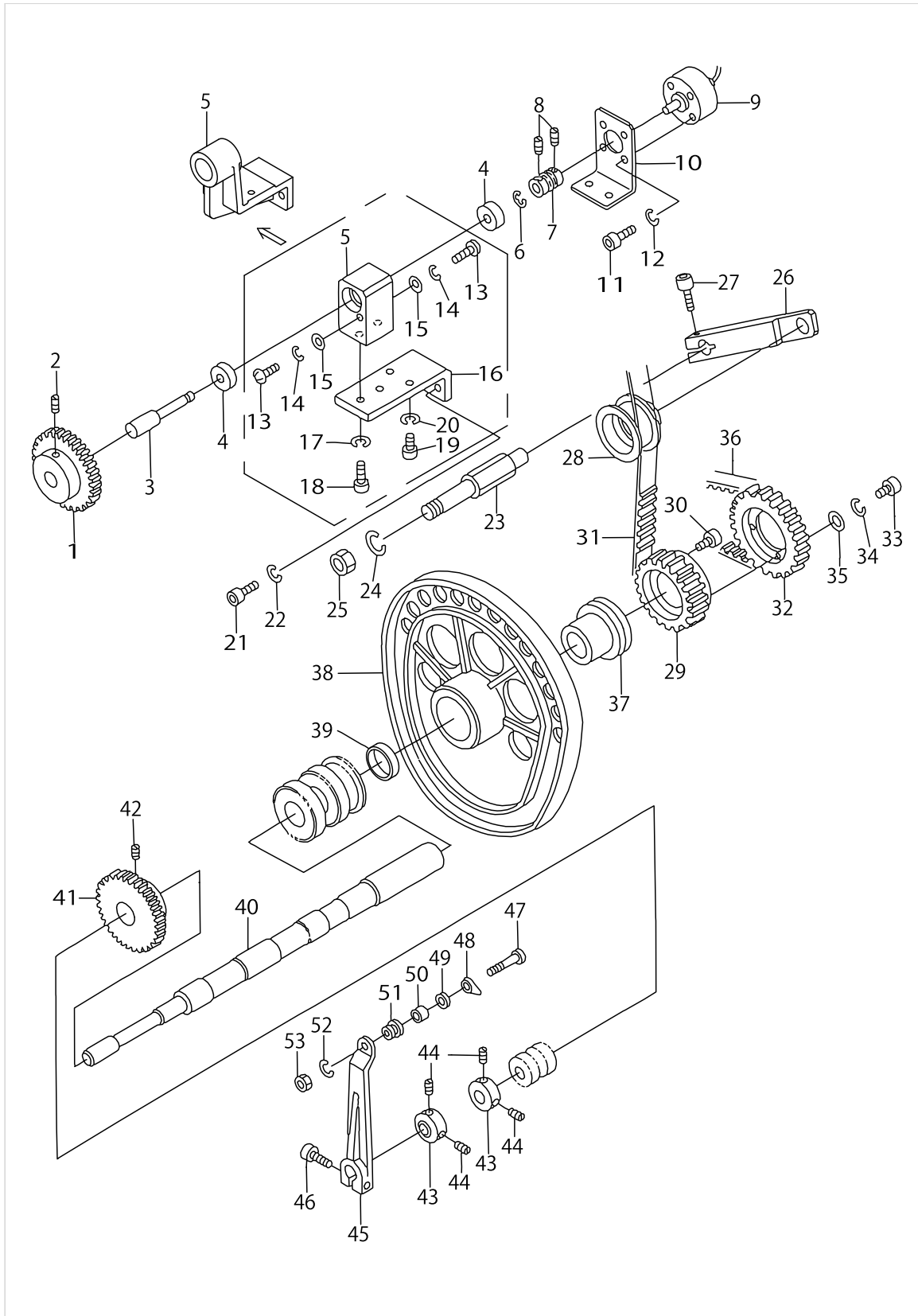
PEDAL SWITCH COMPONENTS



PEDAL SWITCH COMPONENTS

No.	Supply Code	Parts No.	Replacement	Parts name	Remarks	Choice	Step	Level	Cons	Qty	Rep. QTY
47		11159001		PEDAL SHAFT BRACKET				*		2	
48		D8113555B00		PEDAL BUSHING				*		2	
49		SM9065513SF		SCREW M6X55				*		1	
50		NM6060001SC		NUT M6				*		2	
51		SM9062003SC		SCREW M6 L=20				*		1	
52	R	GPF06060000	GPF060600A0	PEDAL				*		1	1.00
53		GPF06070000		PEDAL MAT				*		1	
54		B8153771000		PEDAL CONNECTING ROD				*		1	

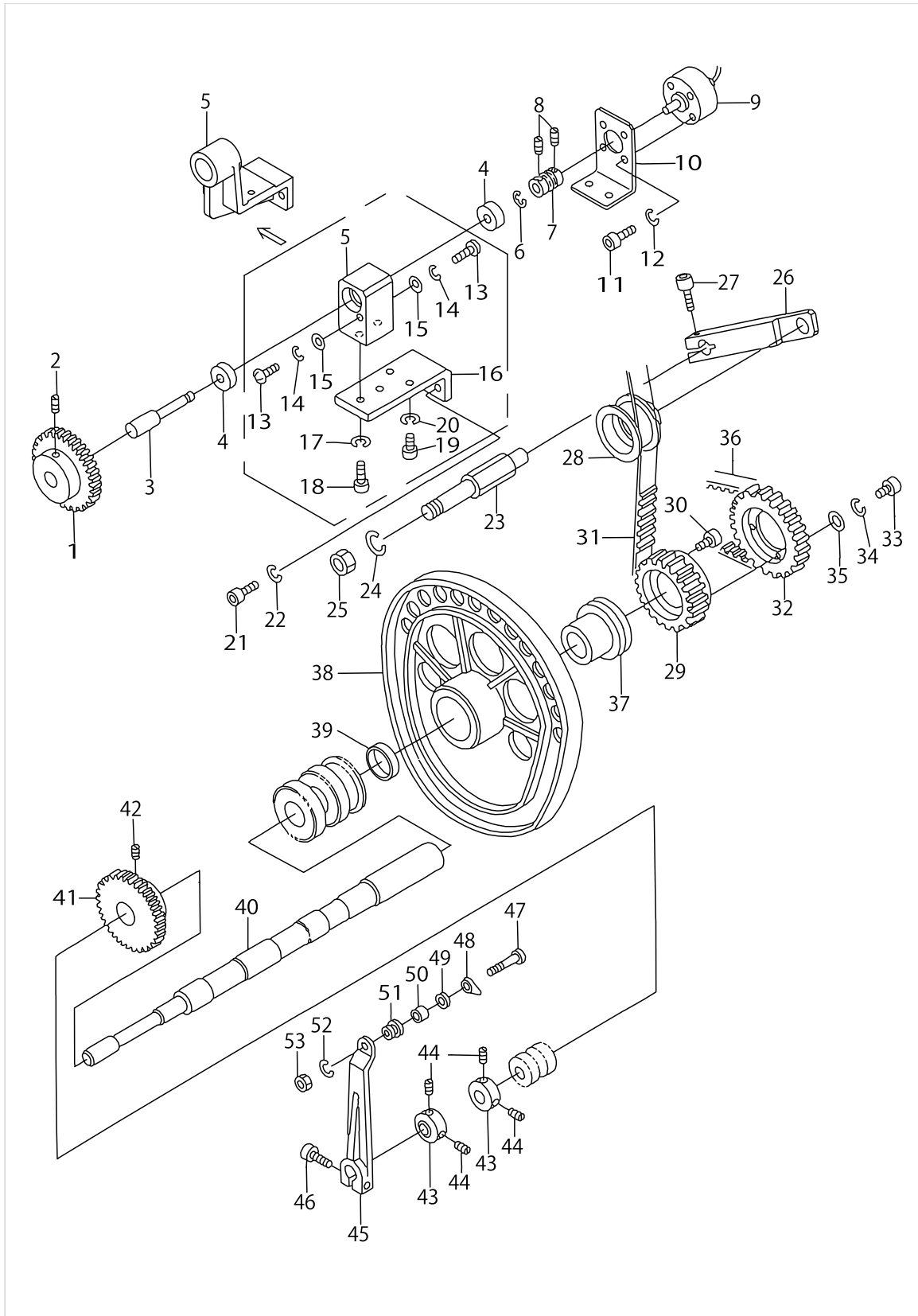
CAM, SENSOR & LOOPER COMPONENTS



CAM, SENSOR & LOOPER COMPONENTS

No.	Supply Code	Parts No.	Replacement	Parts name	Remarks	Choice	Step	Level	Cons	Qty	Rep. QTY
1		G5345340000		FLAT GEAR A						1	
2		SM8041012TP		SCREW M4 L=10						2	
3		17786906		ENCODDER SHAFT						1	
4	D	G5261340000		BEARING						2	
5		G5343340000		HOUSING						1	
6		RE0500000K0		E-RING						1	
7		G5358340000		COUPLING						1	
8		SM8030502TP		SCREW M3 L=5						4	
9	D	17767054		ENCODDER ASM.						1	
10		17787003		ENCODDER BRACKET						1	
11		SM6041202TP		SCREW M4X0.7 L=12						4	
12		WS0410002KN		SPRING WASHER						4	
13		SM4040801SC		SCREW M4X0.7 L=8						2	
14		WS0410002KN		SPRING WASHER						2	
15		WP0430800SC		WASHER M4						2	
16		17786807		ENCODDER BASE						1	
17		WS0410002KN		SPRING WASHER						2	
18		SM6041502TP		SCREW M4X0.7 L=15						2	
19		SM6041202TP		SCREW M4X0.7 L=12						2	
20		WS0410002KN		SPRING WASHER						2	
21		SM6051552TP		SCREW M5 L=15						2	
22		WS0510002KN		SPRING WASHER						2	
23		17783606		IDLER SHAFT						1	
24	R	WS1220002KN	WS1220002KP	SPRING WASHER						1	1.00
25	R	NM6120001SC	NM6120002SE	NUT M12						1	1.00
26		17782608		IDLER ARM						1	
27		SM6082502TP		SCREW M8 L=25						1	
28		17797408		IDLER						1	
29		17782301		TIMING PULLEY LOWER						1	
30		SM6052502TP		SCREW M5X0.8 L=25						4	
31		17797200		TIMING BELT B						1	
32		17783101		CAM SHAFT PULLEY						1	
33		SM6051802TP		SCREW M5 L=18						4	
34		WS0510002KN		SPRING WASHER						4	
35		WP0531000SC		WASHER 5.3X10X1						4	
36	D	17797309		TIMING BELT C						1	
37		17797101		MECHANICAL LOCK						1	
38	D	17782806		CAM LOWER						1	
39		G5110340000		COLLAR						1	
40	D	17783002		CAM SHAFT LOWER						1	
41	D	G5346340000		FLAT GEAR B						1	
42		SM8041012TP		SCREW M4 L=10						2	
43		G5112340000		COLLAR						2	
44		SM8050602TP		SCREW M5 L=6						4	
45	D	G5109340000		LOOPER ARM						1	
46		SM6061802TP		SCREW M6 L=18						1	

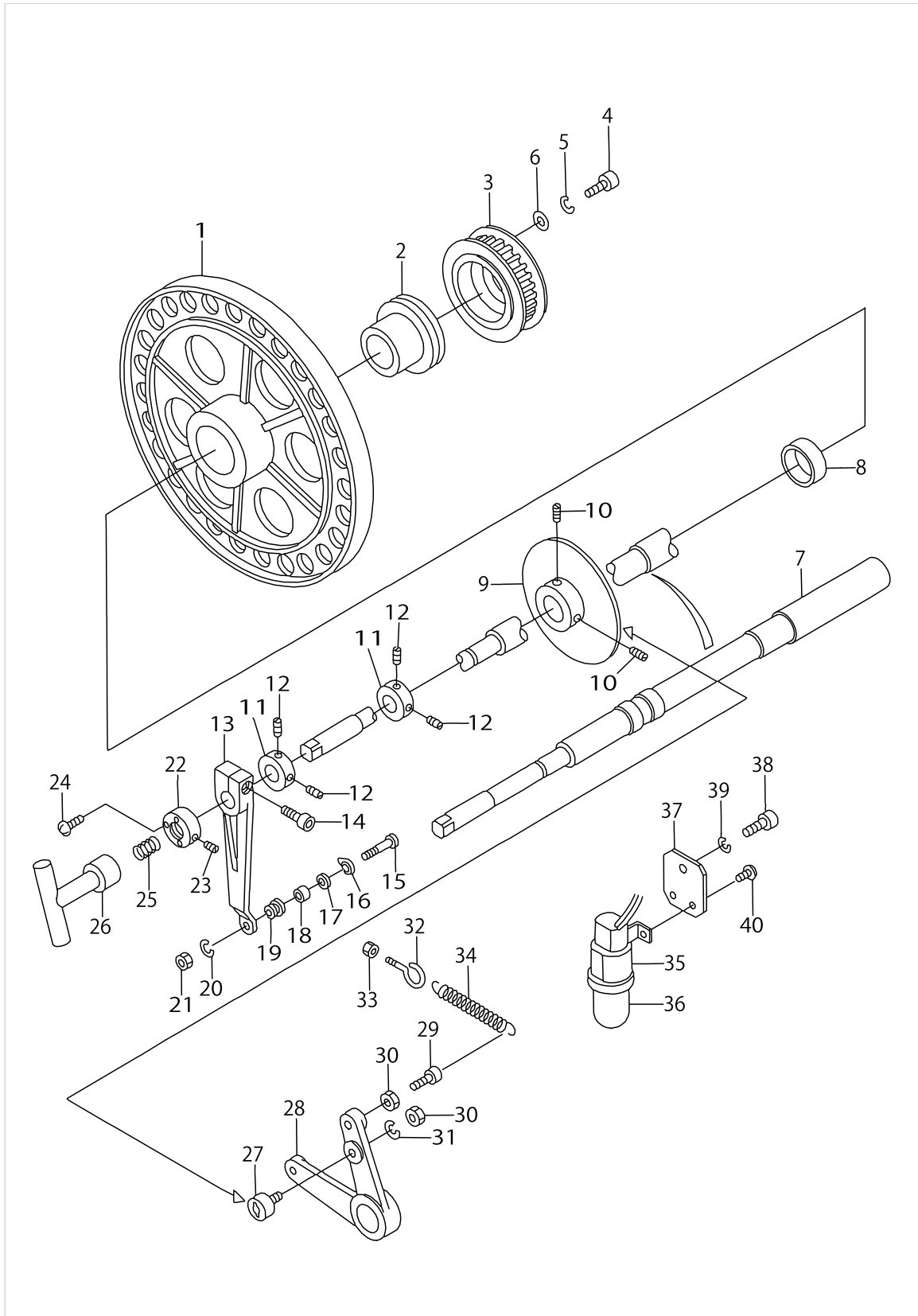
CAM, SENSOR & LOOPER COMPONENTS



CAM, SENSOR & LOOPER COMPONENTS

No.	Supply Code	Parts No.	Replacement	Parts name	Remarks	Choice	Step	Level	Cons	Qty	Rep. QTY
47		G5540340000		LOOPER SHAFT						1	
48	D	G5537340000		LOOPER THREAD GUIDE						1	
49	D	G5538340000		LOOPER GUIDE						1	
50		G5539340000		LOOPER METAL						1	
51		G5541340000		LOOPER SPACER						1	
52		WS0310002KN		SPRING WASHER M3						1	
53		NM6030001SC		NUT M3						1	

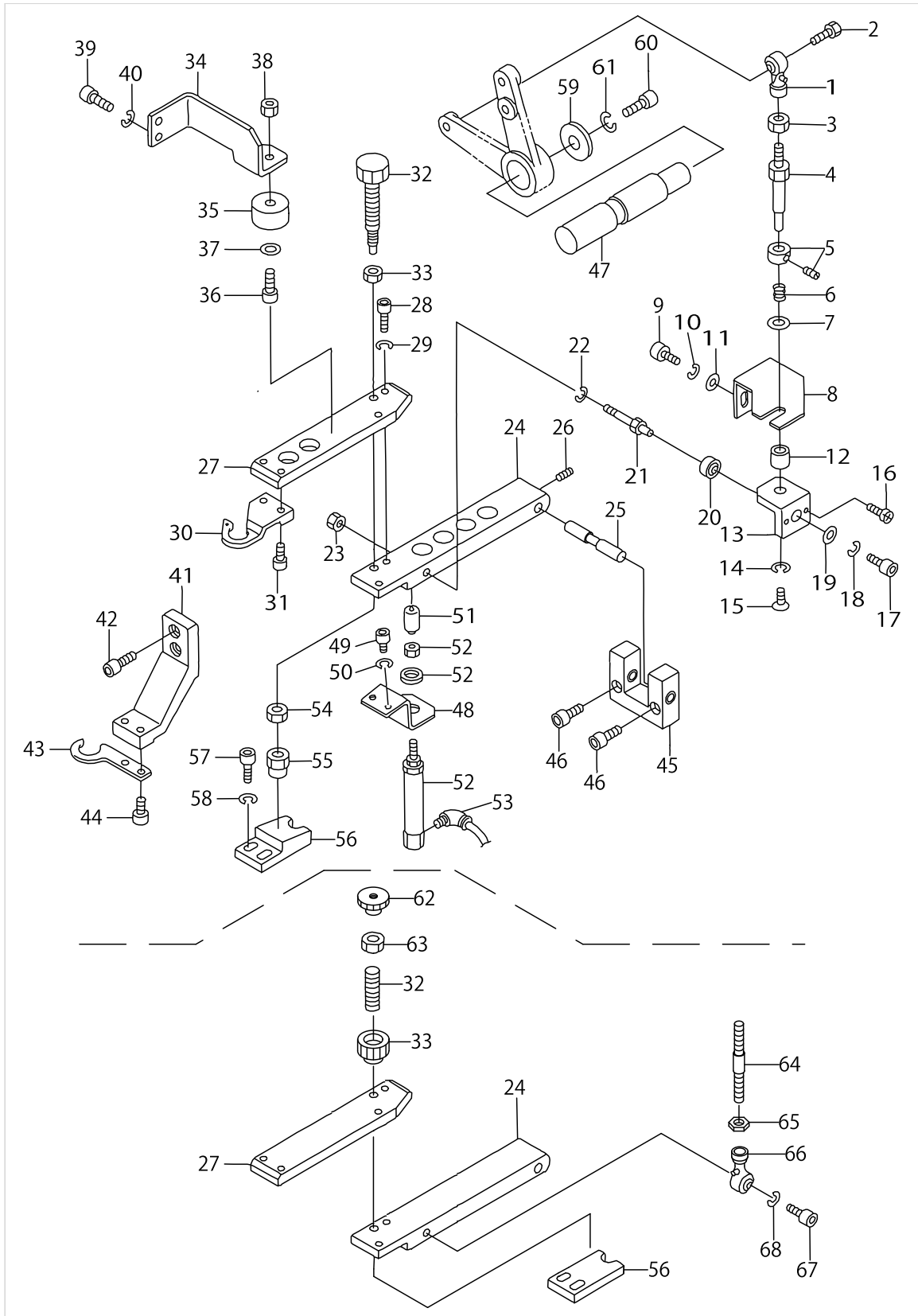
CAM & LOOPER COMPONENTS



CAM & LOOPER COMPONENTS

No.	Supply Code	Parts No.	Replacement	Parts name	Remarks	Choice	Step	Level	Cons	Qty	Rep. QTY
1		17782707		CAM UPPER						1	
2		17797101		MECHANICAL LOCK						1	
3		17782202		TIMING PULLEY UPPER						1	
4		17799206		RING						4	
5		WS0510002KN		SPRING WASHER						4	
6		WP0531000SC		WASHER 5.3X10X1						4	
7	D	17782905		CAM SHAFT UPPER						1	
8		G5110340000		COLLAR						1	
9		G5146340000		TENSION CAM						1	
10		SM8060802TP		SCREW M6 L=8						2	
11		G5112340000		COLLAR						2	
12		SM8050602TP		SCREW M5 L=6						8	
13	D	G5109340000		LOOPER ARM						1	
14		SM6061802TP		SCREW M6 L=18						1	
15		G5540340000		LOOPER SHAFT						1	
16	D	G5537340000		LOOPER THREAD GUIDE						1	
17	D	G5538340000		LOOPER GUIDE						1	
18		G5539340000		LOOPER METAL						1	
19		G5541340000		LOOPER SPACER						1	
20		WS0310002KN		SPRING WASHER M3						1	
21		NM6030001SC		NUT M3						1	
22		17783705		FIXING COLLAR						1	
23		SM8040802TP		SCREW M4X8						2	
24		SM0030601SC		SCREW M3X0.5 L=6						3	
25		17783804		SPRING						1	
26		16757106		WRENCH						1	
27		G5179340000		CAM FOLLOWER						1	
28		G5144340000		CAM ARM						1	
29		SM6052002TP		SCREW M5 L=20						1	
30		NM6050001SC		NUT M5						2	
31		WS0510002KN		SPRING WASHER						1	
32		G5147340000		SPRING ANCHOR						1	
33		NM6050001SC		NUT M5						1	
34	D	G5151340000		SPRING						1	
35		A602020201B		LAMP HOLDER ASM.						1	
36	D	HE000120000		LAMP						1	
37		G5161340000		LAMP INSTALLING BRACKET						1	
38	R	SM6061552TP	SM6061552SP	SCREW M6 L=15						1	1.00
39		WS0310002KN		SPRING WASHER M3						1	
40		25152109		SCREW						2	

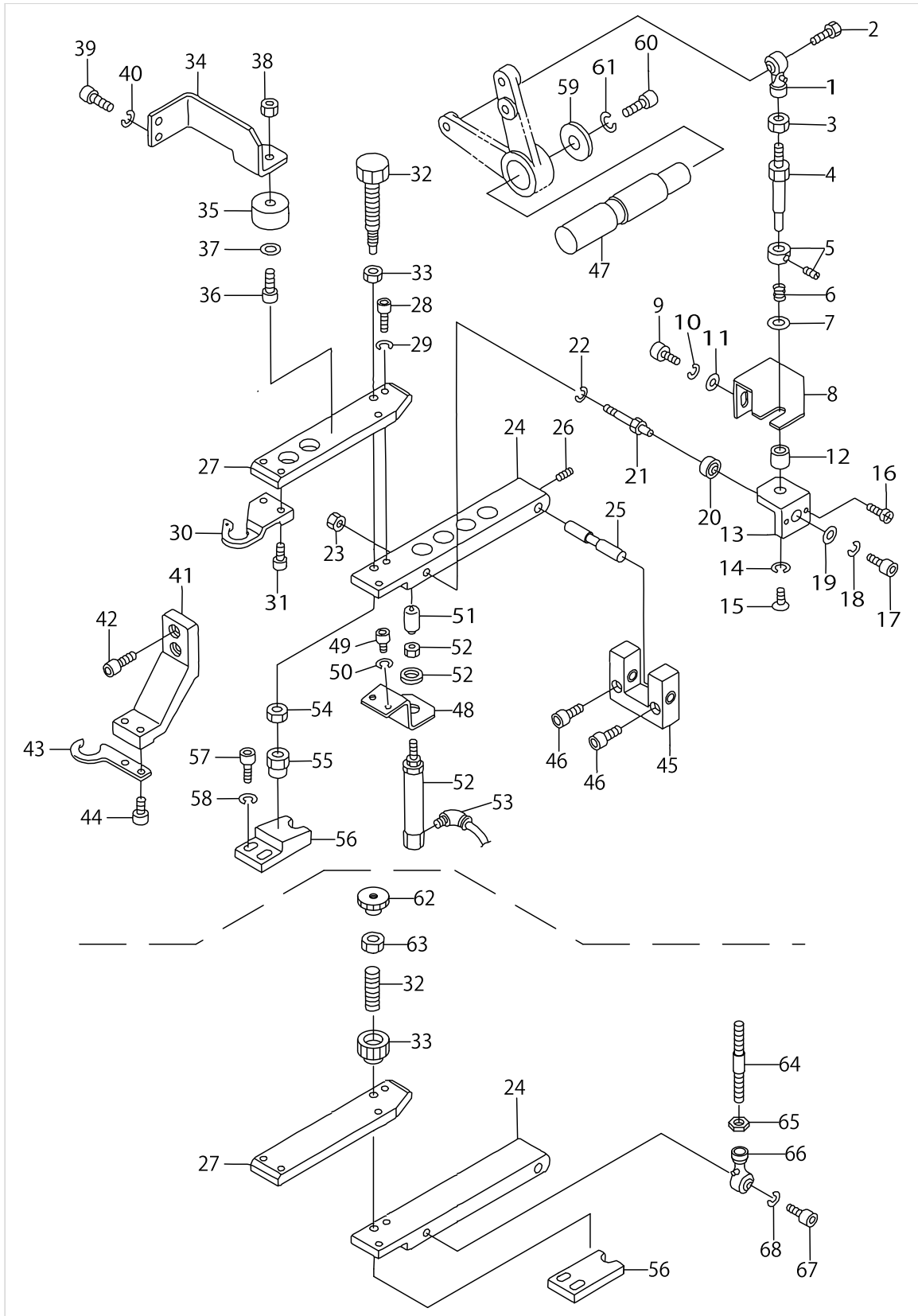
TENSION COMPONENTS



TENSION COMPONENTS

No.	Supply Code	Parts No.	Replacement	Parts name	Remarks	Choice	Step	Level	Cons	Qty	Rep. QTY
1	D	G5180340000		JOINT A						1	
2		17794108		JOINT PIN						1	
3		NM6050001SC		NUT M5						1	
4	D	17794009		JOINT SHAFT						1	
5		17796608		SET COLLAR						1	
6	D	17796707		SPRING						1	
7		WP0531001SC		WASHER						1	
8		17794405		SPRING BRACKET						1	
9		SM6041202TP		SCREW M4X0.7 L=12						2	
10		WS0410002KN		SPRING WASHER						2	
11		WP0430801SC		WASHER 4.3X9X0.8						2	
12	D	G5445340000		METAL A						1	
13		17793902		SHAFTHOLDERBASE						1	
14		17798802		DISH WASHER (QWE03008ZC)						1	
15		17799404		DISH SCREW KDS-0308						1	
16		SM0030601SC		SCREW M3X0.5 L=6						2	
17		SM6031002TP		HEXAGONAL BOLT M3 X 10						1	
18		WS0310002KN		SPRING WASHER M3						1	
19		17798703		JOINT WASHER						1	
20	D	17796509		JOINT						1	
21	D	17793803		JOINT SHAFT						1	
22		WS0510002KN		SPRING WASHER						1	
23		NM6050001SC		NUT M5						1	
24		17793605		TENSION ARM A						1	
25		G5137340000		PIVOT PIN						1	
26		SM8050602TP		SCREW M5 L=6						1	
27		17793704		TENSION ARM B						1	
28		SM6051552TP		SCREW M5 L=15						2	
29		WS0510002KN		SPRING WASHER						2	
30	D	G5578340000		TENSION PLATE UPPER						1	
31		SM6041002TP		SCREW M4 L=10						2	
32		17794207		ADJUSTING SCREW						1	
33	D	17799602		ADJUSTING NUT						1	
34		G5148340000		TENSION STOPPER						1	
35		G5149340000		TENSION RUBBER						1	
36		SM6041002TP		SCREW M4 L=10						1	
37		WP0430800SC		WASHER M4						1	
38		NM6040001SC		NUT M4						1	
39		SM6041502TP		SCREW M4X0.7 L=15						1	
40		WS0410002KN		SPRING WASHER						2	
41	D	G5142340000		TENSION PLATE BRACKET						1	
42		SM6051552TP		SCREW M5 L=15						2	
43	D	G5141340000		TENSION PLATE LOWER						1	
44		SS9091010SP		SCREW 9/64-40 L=10						2	
45		G5135340000		TENSION BRACKET						1	
46		SM6052002TP		SCREW M5 L=20						4	

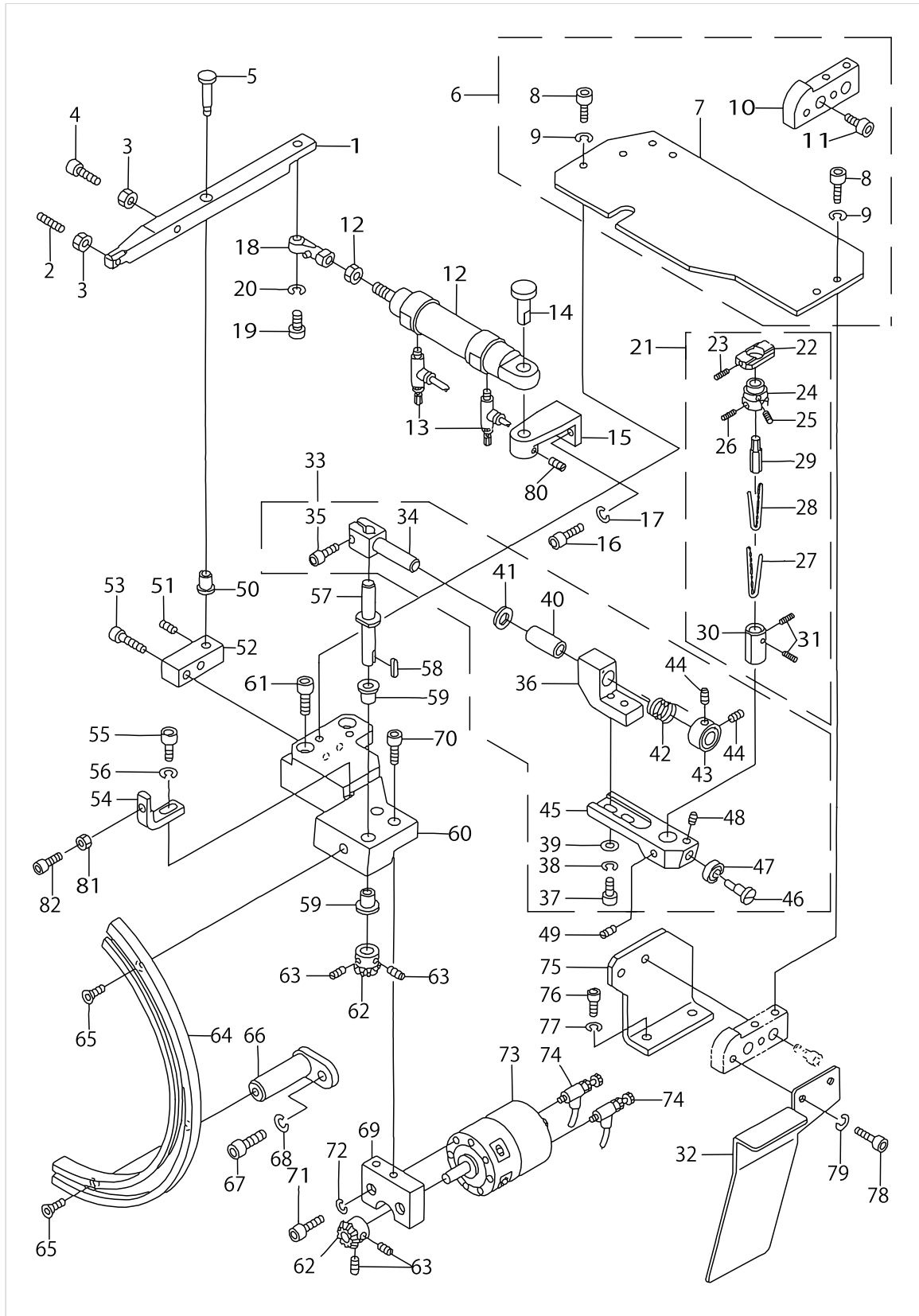
TENSION COMPONENTS



TENSION COMPONENTS

No.	Supply Code	Parts No.	Replacement	Parts name	Remarks	Choice	Step	Level	Cons	Qty	Rep. QTY
47		17784208		TENSION SHAFT						1	
48	D	G5152340000		CYLINDER BRACKET						1	
49		SM6040802TR		SCREW M4X0.7 L=8						2	
50		WS0410002KN		SPRING WASHER						2	
51	D	G5153340000		CYLINDER EDGE						1	
52		PA1601517A0		CYLINDER						1	
53		PJ304040504		ELBOW UNION						1	
54		NM6050003SC		NUT M5X0.8						1	
55	D	17794306		ADJUSTING BASE						1	
56		17794504		STOPPER BASE						1	
57		SM6041602TP		SCREW M4X0.7 L=16						2	
58		WS0410002KN		SPRING WASHER						2	
59		17798000		BEARING WASHER B						1	
60	R	SM6061552TP	SM6061552SP	SCREW M6 L=15						1	1.00
61		WS0610002KN		SPRING WASHER 6.1X12.2X1.5						1	

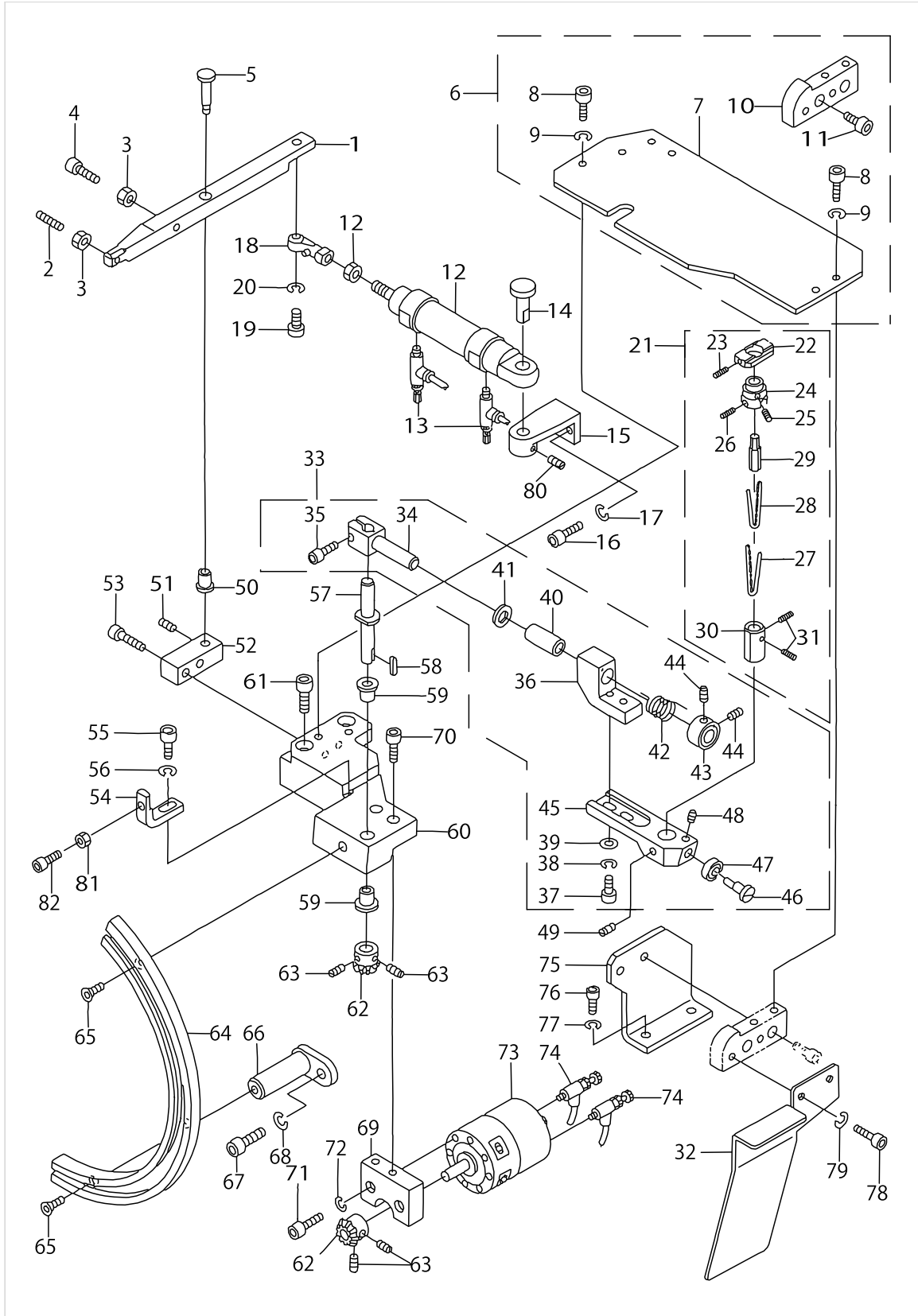
BUTTON SUPPLY COMPONENTS



BUTTON SUPPLY COMPONENTS

No.	Supply Code	Parts No.	Replacement	Parts name	Remarks	Choice	Step	Level	Cons	Qty	Rep. QTY
1		G5209340000		CHUCK LEVER						1	
2		SM8052002TP		SCREW M5X0.8 L=20						1	
3		NM6050001SC		NUT M5						2	
4		25149105								1	
5		G5208340000		PIVOT PIN						1	
6		G52043400A0		FEEDER TABLE ASM.						1	
7		G5204340000		FEEDER TABLE				*		1	
8		SM6041202TP		SCREW M4X0.7 L=12				*		4	
9		WS0410002KN		SPRING WASHER				*		4	
10		G5212340000		END CAM				*		1	
11		SM6051202TP		SCREW M5X0.8 L=12				*		2	
12		PA2002519A0		AIR CYLINDER						1	
13	R	PC015104000	PC015108000	SPEED CONTROLLER						2	1.00
14		PX5000300A0		CLEVIS PIN ASM.						1	
15		17784505		CYLINDER BRACKET 1						1	
16		SM6051552TP		SCREW M5 L=15						2	
17		WS0510002KN		SPRING WASHER						2	
18		G5259340000		JOINT						1	
19		SM6082002TP		SCREW M8 L=20						1	
20		WS0820002KN		SPRING WASHER M8						1	
21	D	18196550		BUTTON HOLDER ASM.						1	
22		G5265340000		BUTTON HOLDER CAP				*		1	
23		SM8030502TP		SCREW M3 L=5				*		1	
24		G5230340000		SPACER LINK				*		1	
25		SM8030502TP		SCREW M3 L=5				*		2	
26		SM8040602TP		SCREW M4X0.7 L=6				*		2	
27		G5228340000		HOLDING PIN A				*		1	
28		G5229340000		HOLDING PIN B				*		1	
29		G5227340000		BOSS B				*		1	
30		G5226340000		BOSS A				*		1	
31		SM8030502TP		SCREW M3 L=5				*		2	
32		17784604		BUTTON DROP PLATE						1	
33		G52183400A0		FEEDER SHAFT ASM.						1	
34		G5218340000		FEEDER SHAFT				*		1	
35		SM6051202TP		SCREW M5X0.8 L=12				*		1	
36		G5221340000		BLOCK				*		1	
37		SM6041202TP		SCREW M4X0.7 L=12				*		2	
38		WS0410002KN		SPRING WASHER				*		2	
39		WP0430800SC		WASHER M4				*		2	
40		G5223340000		METAL 5				*		1	
41		G5222340000		METAL 4				*		1	
42	D	G5219340000		SPRING				*		1	
43		G5220340000		SPRING SET COLLAR				*		1	
44		SM8040602TP		SCREW M4X0.7 L=6				*		2	
45	D	G5224340000		FEEDER ARM				*		1	
46		G5225340000		ROLLER SHAFT				*		1	

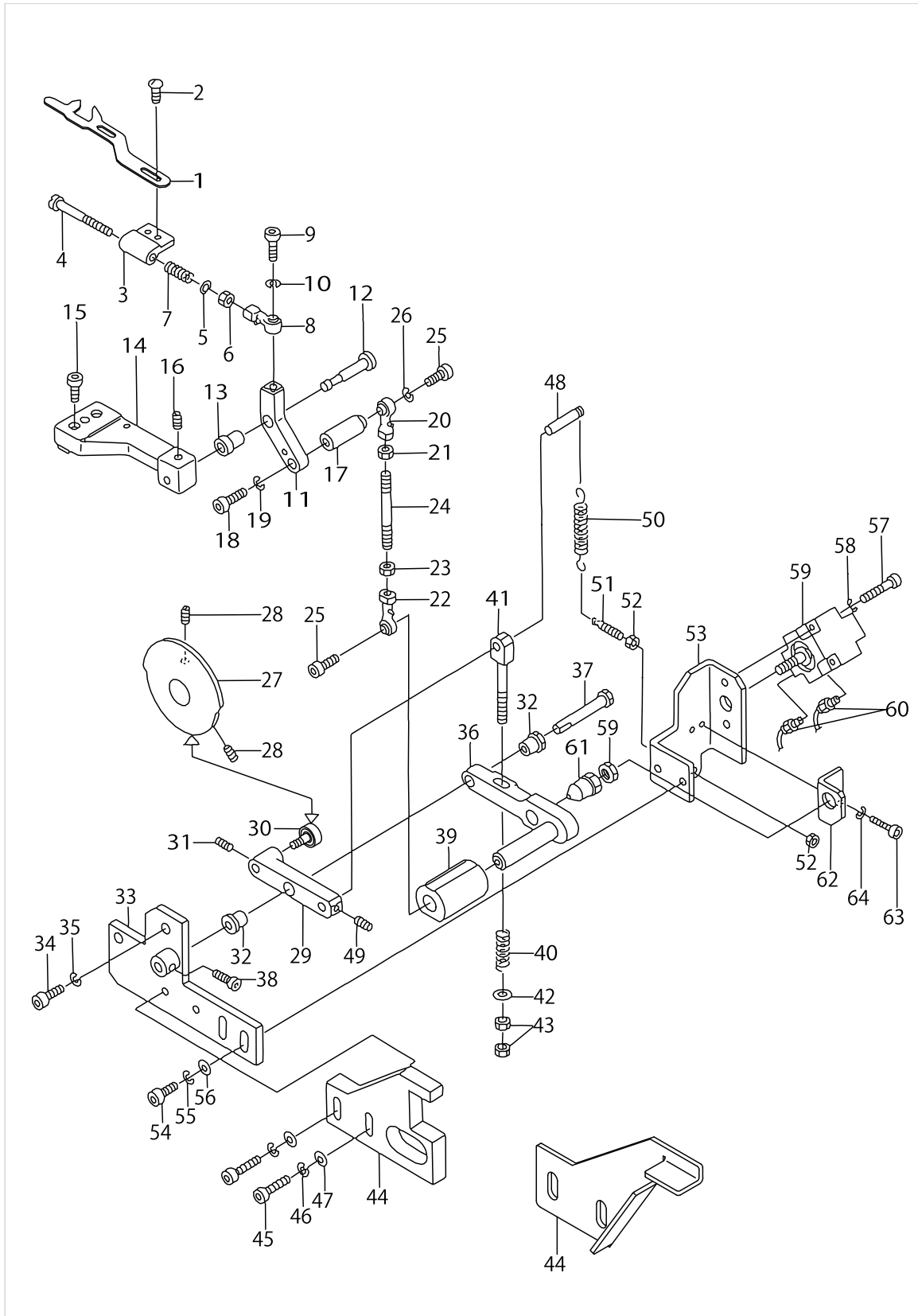
BUTTON SUPPLY COMPONENTS



BUTTON SUPPLY COMPONENTS

No.	Supply Code	Parts No.	Replacement	Parts name	Remarks	Choice	Step	Level	Cons	Qty	Rep. QTY
47	D	G5261340000		BEARING				*		1	
48		SM8030502TP		SCREW M3 L=5				*		1	
49		SM8040602TP		SCREW M4X0.7 L=6						1	
50		G5207340000		METAL 3						1	
51		SM8040602TP		SCREW M4X0.7 L=6						1	
52		G5206340000		BLOCK						1	
53		SM6052502TP		SCREW M5X0.8 L=25						2	
54		G5205340000		STOPPER						1	
55		25152208		SCREW						1	
56		WS0410002KN		SPRING WASHER						1	
57		17777509		FEEDER PIVOT SHAFT						1	
58		17779307		FEEDER PARALLEL KEY						1	
59		17784802		METAL						2	
60		G5201340000		FEEDER BASE						1	
61		SM6062502TP		SCREW M6 L=25						2	
62		G5216340000		GEAR						2	
63		SM8040402TP		SCREW M4X0.7 L=4						4	
64		G5130340000		LOOPER RAIL						1	
65		G5178340000		SCREW						3	
66	D	G5131340000		LOOPER RAIL SUPPORT						1	
67	R	SM6061552TP	SM6061552SP	SCREW M6 L=15						1	1.00
68		WS0610002KN		SPRING WASHER 6.1X12.2X1.5						1	
69		17784703		CYLINDER BRACKET						1	
70	R	SM6061552TP	SM6061552SP	SCREW M6 L=15						2	1.00
71		SM6052002TP		SCREW M5 L=20						2	
72		WS0510002KN		SPRING WASHER						2	
73	D	PA800015000		ACTUATER						1	
74		PC010508000		SPEED CONTROLLER						2	
75	D	G5213340000		CAM INSTALLING PLATE						1	
76	R	SM6061552TP	SM6061552SP	SCREW M6 L=15						2	1.00
77		WS0610002KN		SPRING WASHER 6.1X12.2X1.5						2	
78		SM6051002TP		SCREW M5X0.8 L=10						2	
79		WS0510002KN		SPRING WASHER						2	

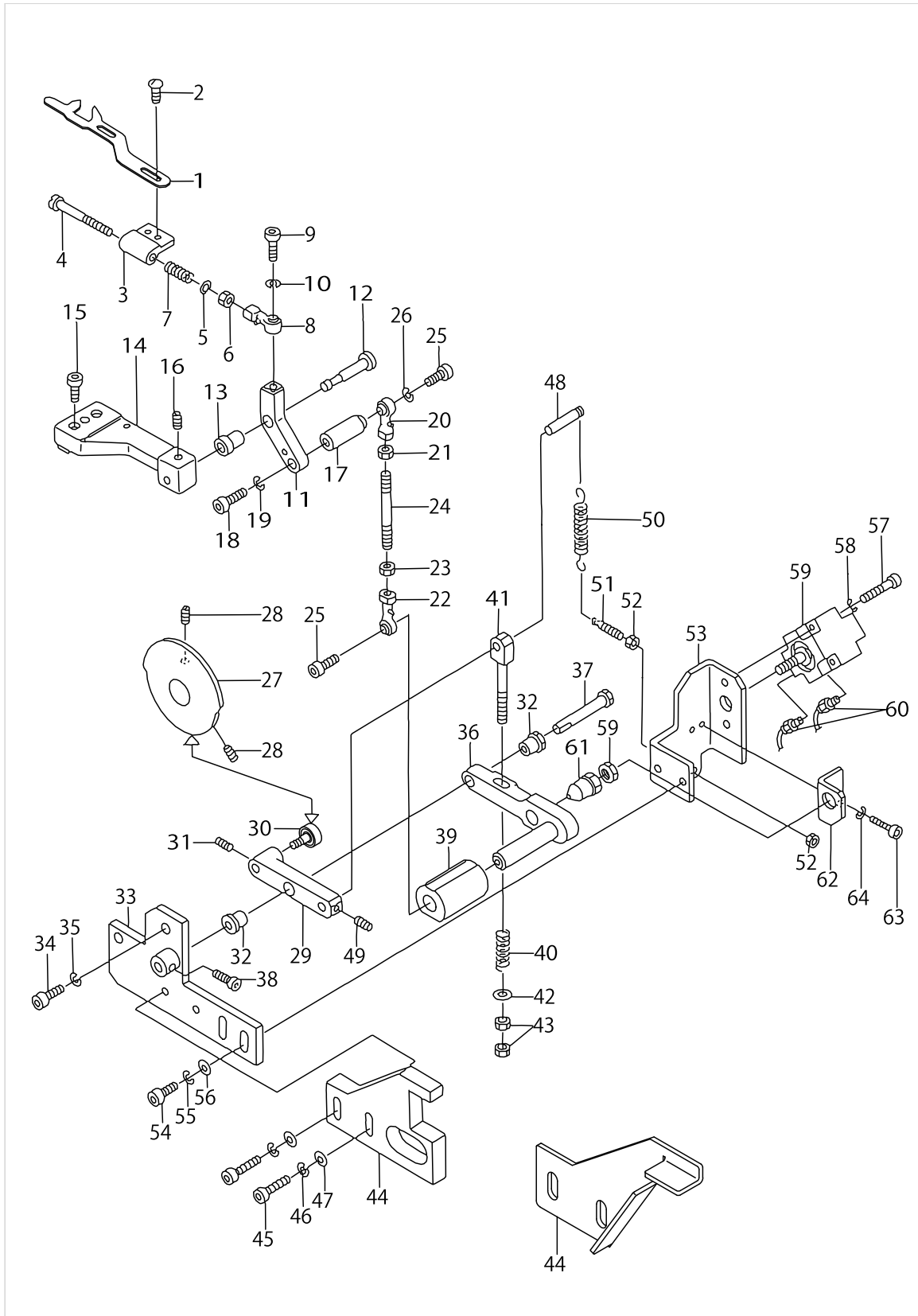
SNAPPER COMPONENTS



SNAPPER COMPONENTS

No.	Supply Code	Parts No.	Replacement	Parts name	Remarks	Choice	Step	Level	Cons	Qty	Rep. QTY
1		17796103		SNAPPER						1	
2		SS5090610SP		SCREW 9/64-40 L=6						2	
3	D	G5250340000		SNAPPER BRACKET						1	
4	D	G5256340000		SLIDE SHAFT						1	
5		WP0531000SC		WASHER 5.3X10X1						1	
6		NM6050001SC		NUT M5						1	
7		G5257340000		SPRING						1	
8	D	G5180340000		JOINT A						1	
9		SM6051802TP		SCREW M5 L=18						1	
10		WS0510002KN		SPRING WASHER						1	
11		G5246340000		CONNECTING ARM						1	
12	D	G5249340000		PIN						1	
13		G5247340000		METAL 7						1	
14	D	G5245340000		BASE PLATE						1	
15		SM6041802TP		SCREW M4 L=18						2	
16		SM8040802TP		SCREW M4X8						1	
17		G5248340000		JOINT BAR						1	
18		SM6052002TP		SCREW M5 L=20						1	
19		WS0510002KN		SPRING WASHER						1	
20	D	G5180340000		JOINT A						1	
21	D	G5182340000		NUT A						1	
22	D	G5181340000		JOINT B						1	
23	D	G5183340000		NUT B						1	
24	D	G5244340000		JOINT SHAFT						1	
25		SM6051802TP		SCREW M5 L=18						2	
26		WS0510002KN		SPRING WASHER						1	
27		G5237340000		SNAPPER CAM						1	
28		SM8050812TP		SCREW M5X8						2	
29		G5238340000		ARM A						1	
30		G5179340000		CAM FOLLOWER						1	
31		SM8040602TP		SCREW M4X0.7 L=6						1	
32	D	G5239340000		METAL 6						2	
33		G5231340000		SNAPPER BASE PLATE						1	
34		SM6062002TP		SCREW M6 L=20						2	
35		WS0610002KN		SPRING WASHER 6.1X12.2X1.5						2	
36	D	G5243340000		ARM						1	
37		G5240340000		PIVOT PIN						1	
38		SM6050802TP		SCREW M5X0.8 L=8						1	
39	D	G5264340000		SNAPPER RUBBER						1	
40	D	G5262340000		SPRING						1	
41	D	G5241340000		STUD						1	
42		WP0641601SC		WASHER						1	
43		NM6060001SC		NUT M6						2	
44		G5263340000		SNAPPER STOPPER						1	
45		SM6052502TP		SCREW M5X0.8 L=25						2	
46		WS0510002KN		SPRING WASHER						2	

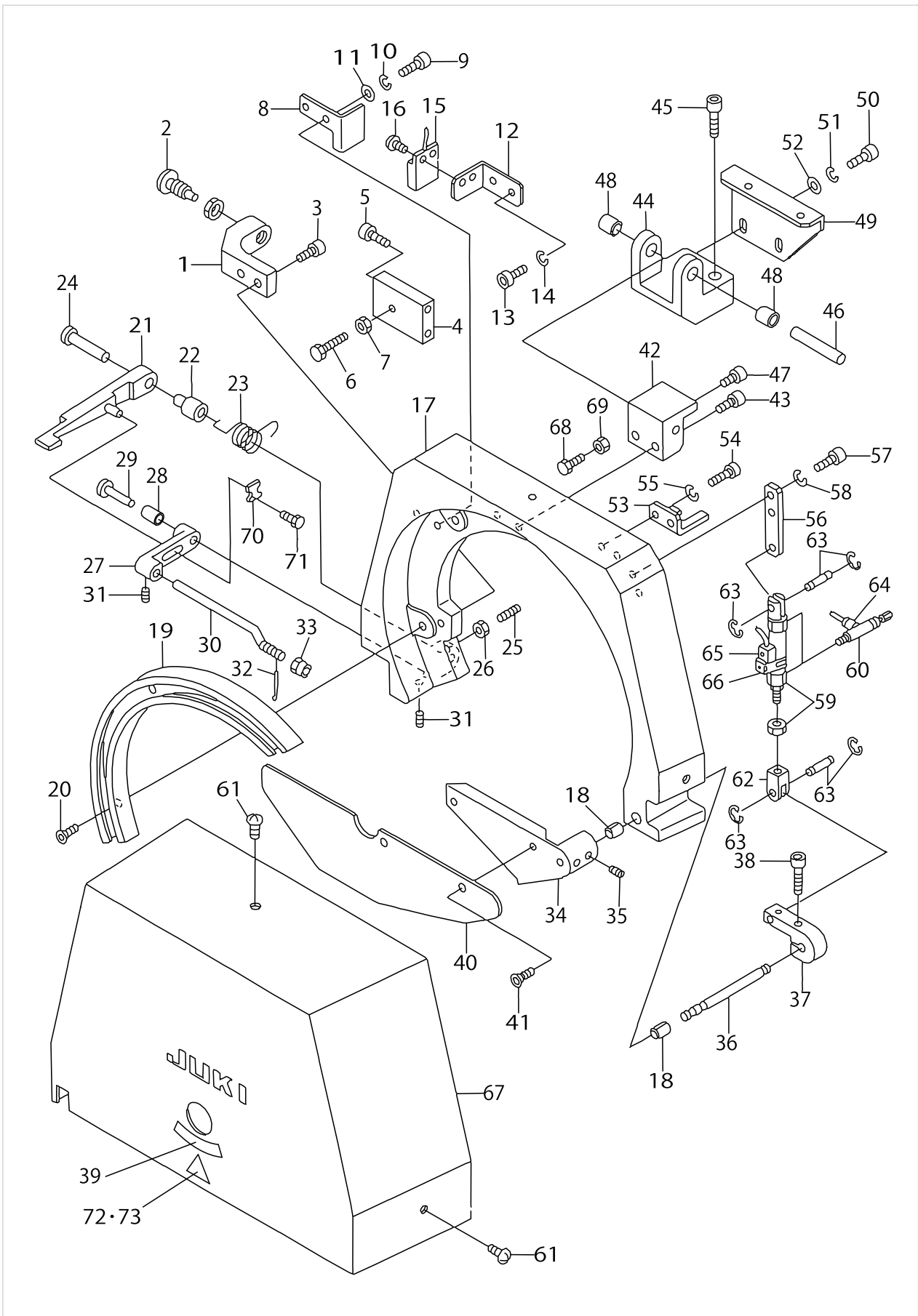
SNAPPER COMPONENTS



SNAPPER COMPONENTS

No.	Supply Code	Parts No.	Replacement	Parts name	Remarks	Choice	Step	Level	Cons	Qty	Rep. QTY
47		WP0531000SC		WASHER 5.3X10X1						2	
48	D	G5242340000		ANCHOR						1	
49		SM8040602TP		SCREW M4X0.7 L=6						1	
50		G5236340000		SPRING						1	
51		G5235340000		ANCHOR						1	
52		NM6040001SC		NUT M4						2	
53		17784901		CYLINDER BASE						1	
54		SM6051552TP		SCREW M5 L=15						2	
55		WS0510002KN		SPRING WASHER						2	
56		WP0531000SC		WASHER 5.3X10X1						2	
57		SM6054002TN		SCREW M5X0.8 L=40						2	
58		WS0510002KN		SPRING WASHER						2	
59	D	PA200200200		SNAPPER CYLINDER						1	
60		PJ304040504		ELBOW UNION						2	
61		G5233340000		KNOCK PIN						1	
62		G5267340000		KNOCK PIN GUIDE						1	
63		SM6041002TP		SCREW M4 L=10						2	
64		WS0410002KN		SPRING WASHER						2	

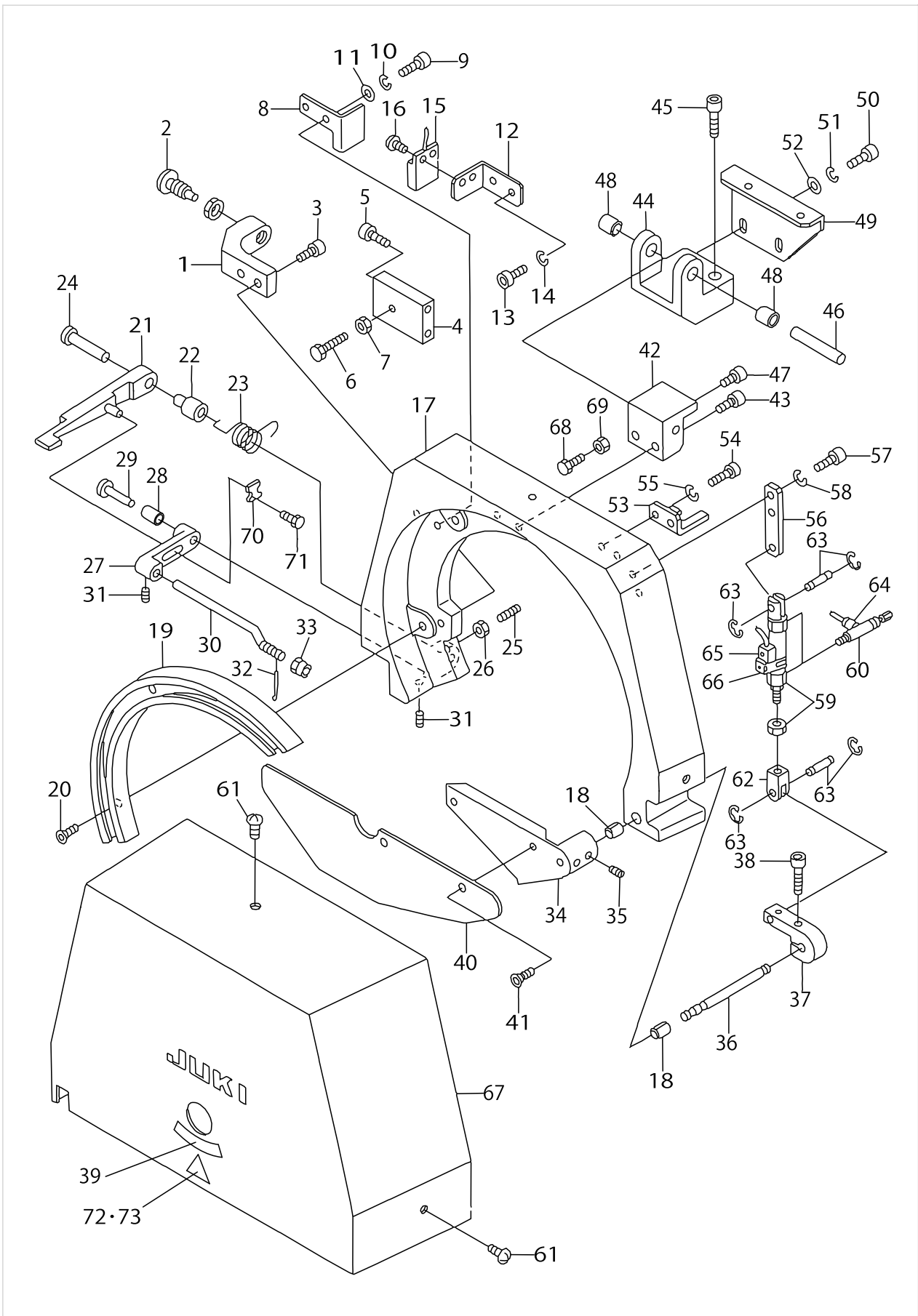
LOOPER COVER COMPONENTS



LOOPER COVER COMPONENTS

No.	Supply Code	Parts No.	Replacement	Parts name	Remarks	Choice	Step	Level	Cons	Qty	Rep. QTY
1	D	17785502		PLUNGER INSTALLING BASE						1	
2		16756108		PLUNGER						1	
3		SM6041202TP		SCREW M4X0.7 L=12						2	
4	D	17785403		LOCK BASE						1	
5		SM6041502TP		SCREW M4X0.7 L=15						2	
6		SM9052553CP		SCREW						1	
7		NM6050001SC		NUT M5						1	
8		17785809		SENSOR PLATE						1	
9		SM6040802TP		SCREW M4X0.7 L=8						2	
10		WS0410002KN		SPRING WASHER						2	
11		WP0430800SC		WASHER M4						2	
12		17785700		SENSOR BRACKET						1	
13		SM6041002TP		SCREW M4 L=10						2	
14		WS0410002KN		SPRING WASHER						2	
15	D	17771551		SET DETECT ASM.						1	
16		SM4031201SC		SCREW M3X12						2	
17		G5301340000		LOOPER COVER BASE						1	
18	D	G5301340A00		DRY METAL						2	
19		G5130340000		LOOPER RAIL						1	
20		G5178340000		SCREW						2	
21		G5316340000		THREADING ARM						1	
22	D	G5317340000		METAL 8						1	
23		G5325340000		SPRING						1	
24	D	G5318340000		SHAFT B						1	
25		SM8040802TP		SCREW M4X8						1	
26		NM6040001SC		NUT M4						1	
27		G5319340000		FEEDER ARM						1	
28	D	G5320340000		METAL						1	
29	D	G5321340000		PIVOT SHAFT						1	
30	D	17785601		THREADING BAR						1	
31		SM8040802TP		SCREW M4X8						2	
32		G5322340000		THREADING BAR						1	
33	D	G5324340000		LOCK NUT						1	
34		G5307340000		MOVABLE COVER A						1	
35		SM8040802TP		SCREW M4X8						2	
36		17785304		MOVABLE COVER PIVOT PIN						1	
37		G5309340000		ARM						1	
38		SM6051602TP		SCREW M5X0.8 L=16						1	
39		CM500200001		DIRECTION LABEL						1	
40	D	G5311340000		MOVABLE COVER B						1	
41		25149808		BOLT						2	
42		17777608		CONNECTING ARM						1	
43		SM6041502TP		SCREW M4X0.7 L=15						1	
44		17777806		BASE PLATE						1	
45		SM6051552TP		SCREW M5 L=15						2	
46		17779604		PARALLEL PIN						1	

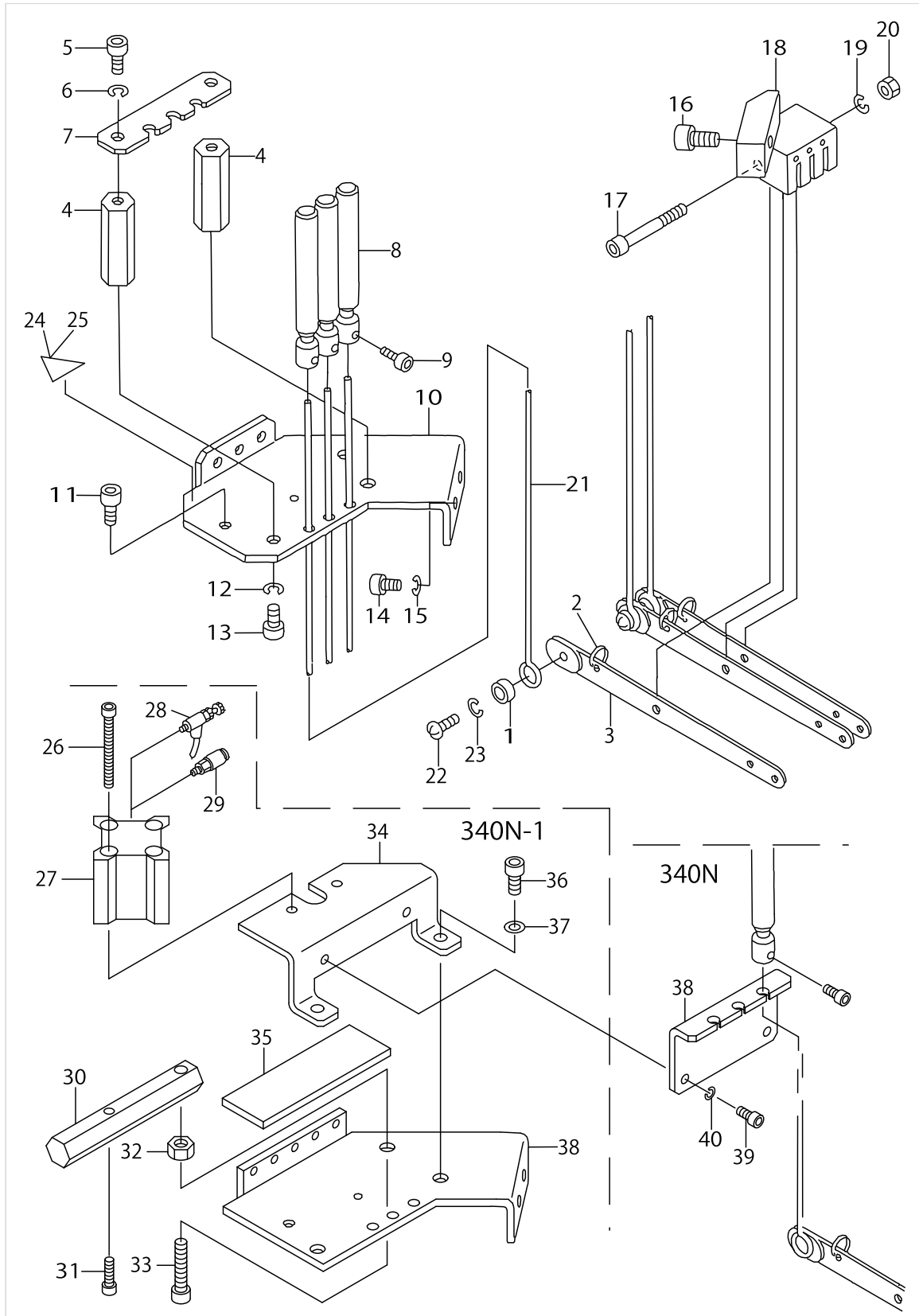
LOOPER COVER COMPONENTS



LOOPER COVER COMPONENTS

No.	Supply Code	Parts No.	Replacement	Parts name	Remarks	Choice	Step	Level	Cons	Qty	Rep. QTY
47		SM6040802TP		SCREW M4X0.7 L=8						1	
48		17779000		METAL						2	
49		G5305340000		COVER FIXING BASE						1	
50		SM6051002TP		SCREW M5X0.8 L=10						2	
51		WS0510002KN		SPRING WASHER						2	
52		WP0531000SC		WASHER 5.3X10X1						2	
53		17786401		LOCK BRACKET						1	
54		SM6051202TP		SCREW M5X0.8 L=12						2	
55		WS0510002KN		SPRING WASHER						2	
56		G5310340000		CYLINDER BRACKET						1	
57		SM6041502TP		SCREW M4X0.7 L=15						2	
58		WS0410002KN		SPRING WASHER						2	
59		PA1601010A0		CYLINDER						1	
60		PC010508000		SPEED CONTROLLER						2	
61		SM0050801SC		SCREW						3	
62		PX500020000		KNUCKLE JOINT						1	
63		PX5000280A0		PIN						1	
64		G5582340000		COIL TUBE						2	
65	D	17771650		DETECT CABLE ASM.						1	
66		PX5000480A0		SWITCH FITTING METAL						1	
67		17785908		LOOPER COVER						1	
68		SM9052003SC		SCREW M5 L=20						1	
69		NM6050001SC		NUT M5						1	
70		17777905		LEVER STOPPER						1	
71	D	SS7080820SP		SCREW 1/8-44 L=7.7						2	
72		CM3002000D1		LABEL(16)	FOR JAPAN					1	
73		CM300200001		ATTENTION SEAL	FOR EXPORT					1	

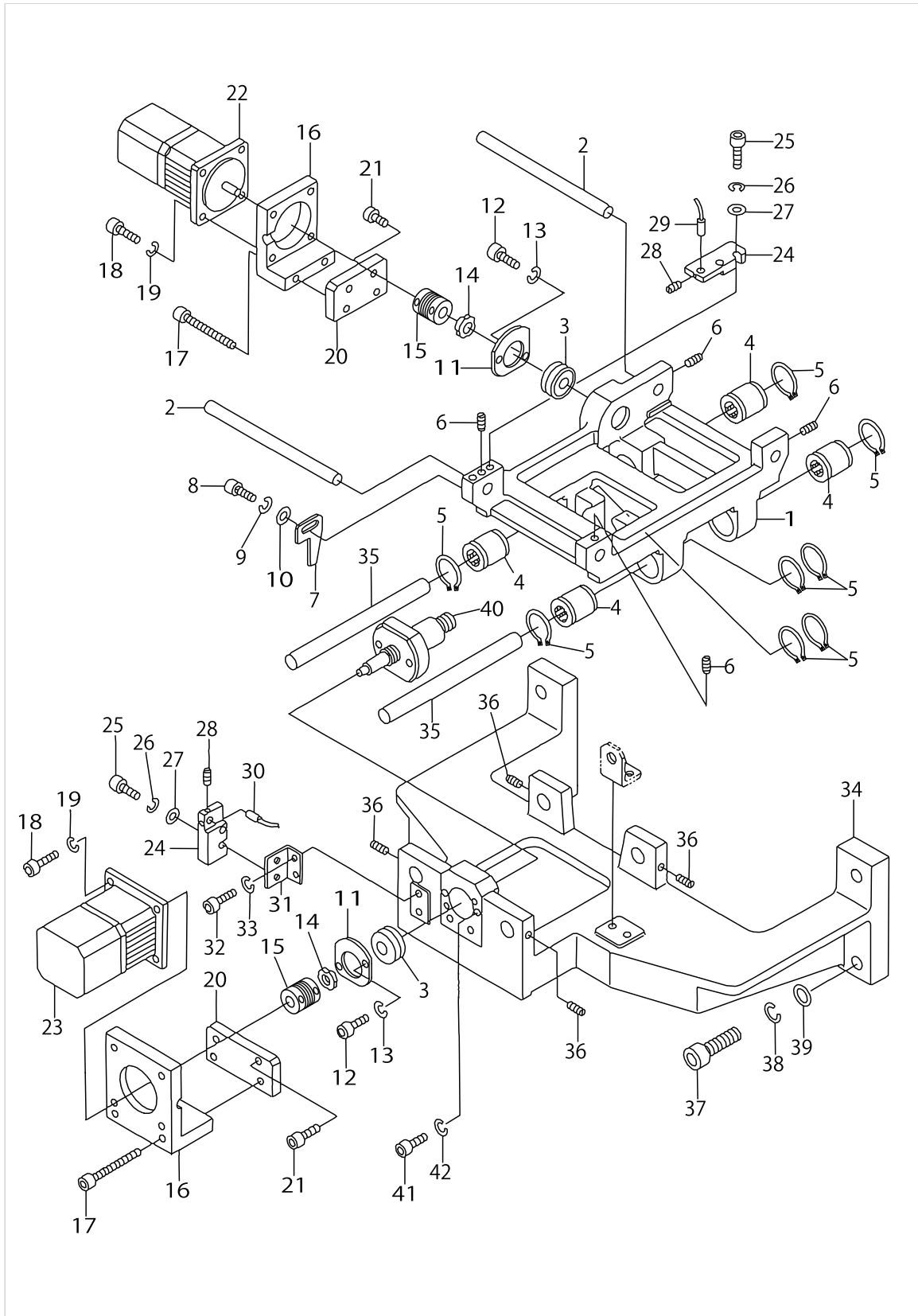
THREAD GUIDE COMPONENTS



THREAD GUIDE COMPONENTS

No.	Supply Code	Parts No.	Replacement	Parts name	Remarks	Choice	Step	Level	Cons	Qty	Rep. QTY
1		G5336340000		COLLAR						3	
2	D	G5338340000		THREAD GUIDE RING						3	
3		G5337340000		THREAD GUIDE PLATE						3	
4		G5329340000		STUD						2	
5		SM6041002TP		SCREW M4 L=10						2	
6		WS0410002KN		SPRING WASHER						2	
7	D	G5330340000		GRIP HOLDER PLATE						1	
8	D	G5334340000		GRIP						3	
9		SM6030402TP		SCREW M3X0.5 L=4						3	
10		G5328340000		BASE						1	
11		SM6040602TP		SCREW M4 L=6						2	
12		WS0410002KN		SPRING WASHER						2	
13		SM6041002TP		SCREW M4 L=10						2	
14		SM6040802TP		SCREW M4X0.7 L=8						2	
15		WS0410002KN		SPRING WASHER						2	
16		SM6061202TP		SCREW M6 L=12						1	
17	D	SM6043202TP		SCREW M4X0.7 L=32						1	
18	D	G5339340000		THREAD GUIDE BASE						1	
19		WS0410002KN		SPRING WASHER						1	
20		NM6040001SC		NUT M4						1	
21	D	G5335340000		BAR						3	
22	D	SM3040601SC		SCREW M4X0.7 L=6						3	
23		WS0410002KN		SPRING WASHER						3	
24		CM3002000B1		LABEL(16)	FOR JAPAN					1	
25		CM300200001		ATTENTION SEAL	FOR EXPORT					1	

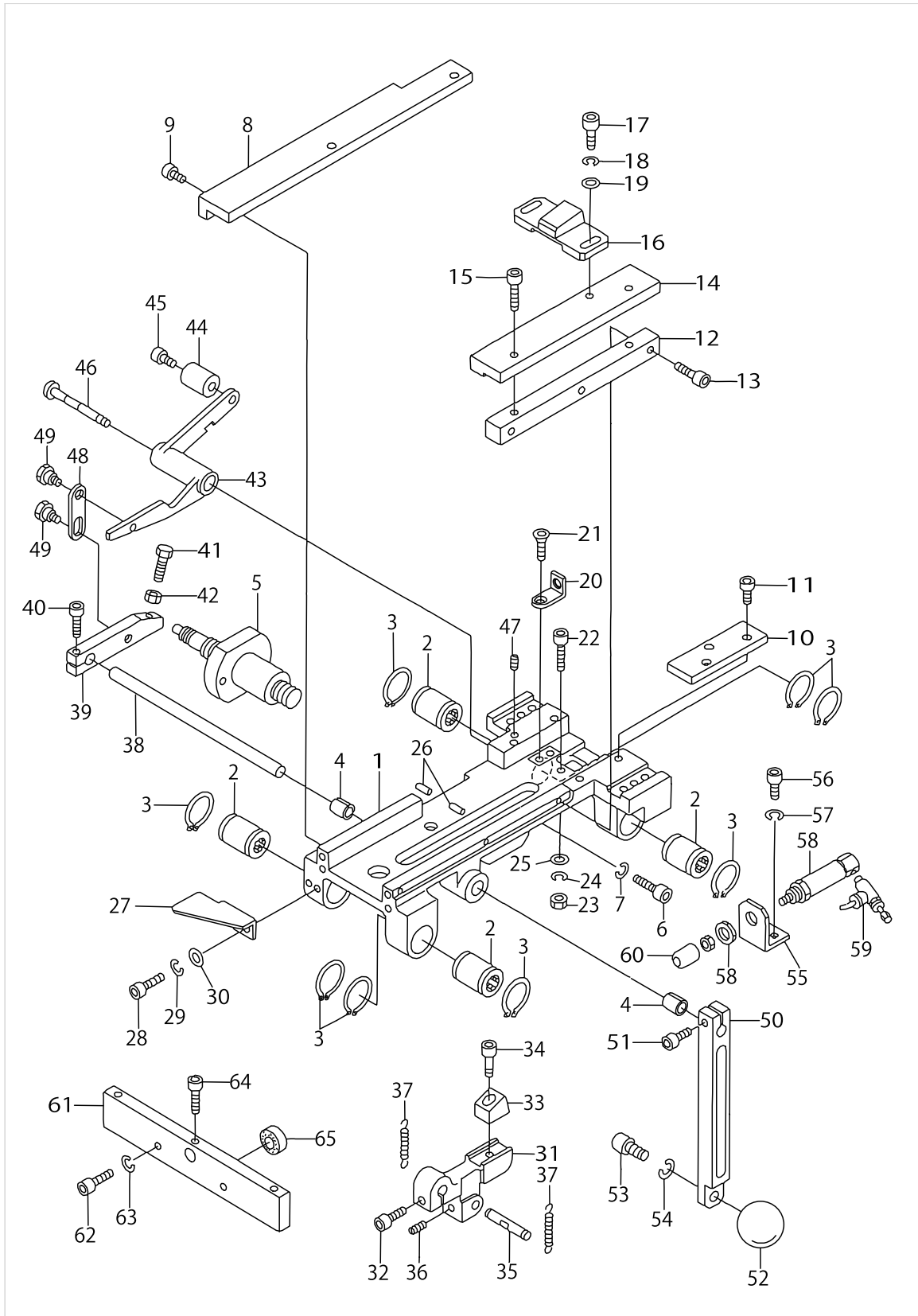
X-Y TABLE COMPONENTS



X-Y TABLE COMPONENTS

No.	Supply Code	Parts No.	Replacement	Parts name	Remarks	Choice	Step	Level	Cons	Qty	Rep. QTY
1		17785007		X-Y TABLE INTERMEDIATE						1	
2		G5485340000		STRAIGHT SHAFT						2	
3	D	17798109		SHAFT HOLDER						2	
4		G5486340000		SLIDE BEARING						4	
5	D	G5487340000		RETAINING RING						8	
6		SM8040602TP		SCREW M4X0.7 L=6						4	
7		G5430340000		SENSOR PLATE Y						1	
8		SM6040802TP		SCREW M4X0.7 L=8						2	
9		WS0410002KN		SPRING WASHER						2	
10		WP0430800SC		WASHER M4						2	
11		17787102		BEARING PRESSER PLATE						2	
12		SM6041002TP		SCREW M4 L=10						4	
13		WS0410002KN		SPRING WASHER						4	
14	D	G5491340000		U-SHAPED NUT						2	
15		18199703		COUPLING						2	
16		18199505		MOTOR INSTALLING PLATE (N)						2	
17		SM6053002TP		SCREW M5X0.8 L=30						4	
18		SM6041802TP		SCREW M4 L=18						8	
19		WS0410002KN		SPRING WASHER						8	
20		17786708		MOTOR INSTALLING PLATE B						2	
21		SM6051552TP		SCREW M5 L=15						4	
22	D	17770355		XSHAFTMOTORASM.						1	
23		17770454		YSHAFTMOTORASM.						1	
24		17788001		SENSOR INSTALLING PLATE A						2	
25		SM6041202TP		SCREW M4X0.7 L=12						4	
26		WS0410002KN		SPRING WASHER						4	
27		WP0430800SC		WASHER M4						2	
28		SM8030502TP		SCREW M3 L=5						2	
29		17771858		SENIOR CABLE ASM.						1	
30	D	17771759		SENSOR CABLE ASM.						1	
31		17788100		SENSOR INSTALLING PLATE B						1	
32		SM6041002TP		SCREW M4 L=10						2	
33		WS0410002KN		SPRING WASHER						2	
34		17777400		X-Y TABLE LOWER						1	
35		G5483340000		STRAIGHT SHAFT						2	
36		SM8040602TP		SCREW M4X0.7 L=6						4	
37		SM6104002TP		SCREW						4	
38		WS1020002KN		SPRING WASHER M10						4	
39		WP1002036SC		WASHER 10.0X21.0X2.0						4	
40	D	17785205		SCREW						1	
41		SM6042502TP		SCREW M4X0.7 L=25						2	
42		WS0410002KN		SPRING WASHER						2	

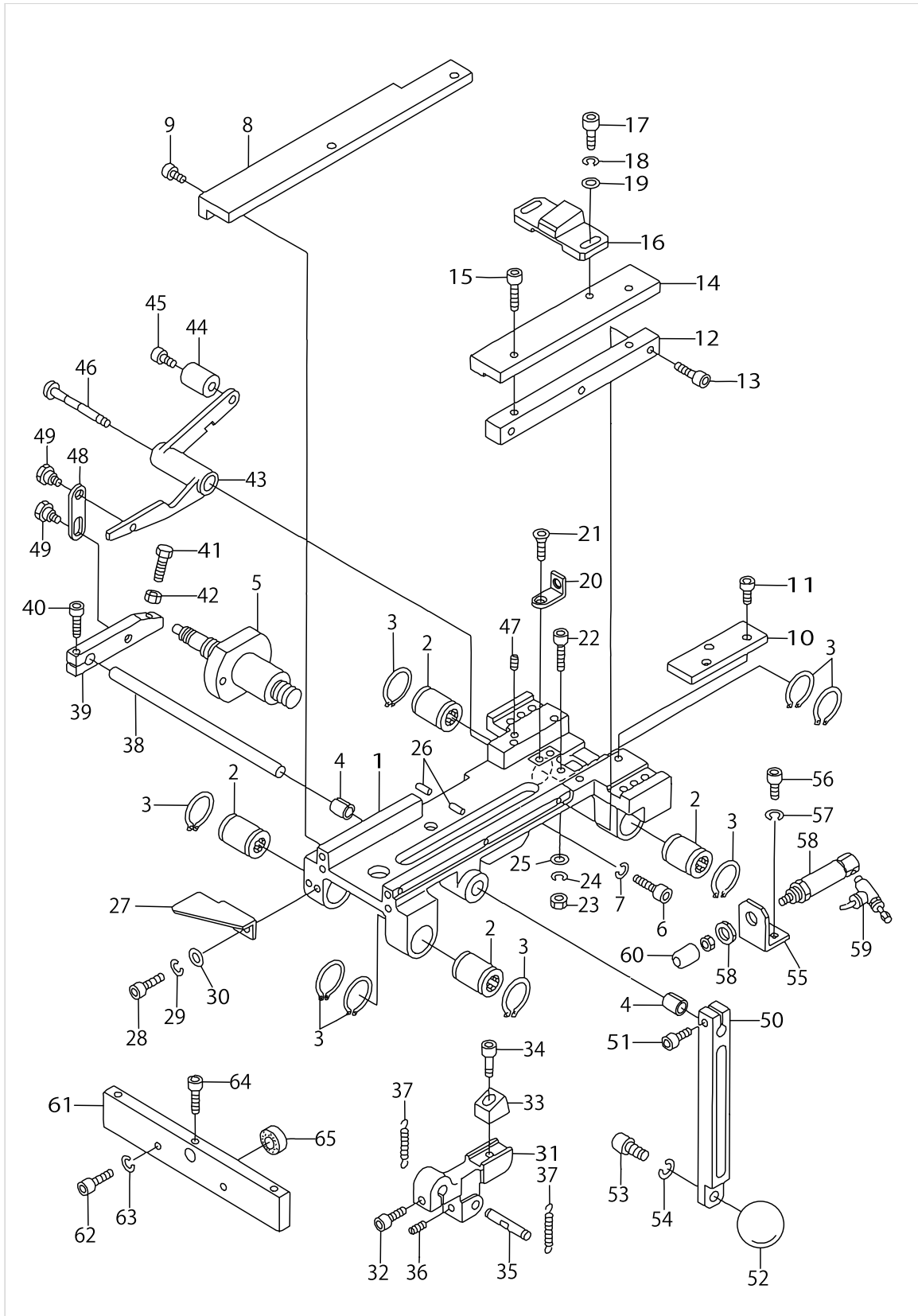
X-Y TABLE & TONGS RETURN COMPONENTS



X-Y TABLE & TONGS RETURN COMPONENTS

No.	Supply Code	Parts No.	Replacement	Parts name	Remarks	Choice	Step	Level	Cons	Qty	Rep. QTY
1		17785114		X-Y TABLE UPPER						1	
2	D	G5488340000		SLIDE BEARING						4	
3	D	G5489340000		RETAINING RING						8	
4	D	G5490340000		DRY METAL						2	
5	D	17785205		SCREW						1	
6		SM6042502TP		SCREW M4X0.7 L=25						2	
7		WS0410002KN		SPRING WASHER						2	
8		17787706		GUIDE LEFT						1	
9		SM6041402TP		SCREW M4 L=14						3	
10		17787508		GUIDE RIGHT UPPER FRONT						1	
11		SM6041002TP		SCREW M4 L=10						2	
12		17787409		GUIDE RIGHT LOWER						1	
13		SM6041402TP		SCREW M4 L=14						3	
14		17787607		GUIDE RIGHT UPPER REAR						1	
15		SM6041002TP		SCREW M4 L=10						2	
16	D	17789207		TONGS JUMPING PLATE						1	
17		SM6041402TP		SCREW M4 L=14						2	
18		WS0410002KN		SPRING WASHER						2	
19		WP0430800SC		WASHER M4						2	
20		17776709		SPRING HOLDER PLATE						2	
21		17796301		SCREW						2	
22		SM6041602TP		SCREW M4X0.7 L=16						1	
23		NM6040001SC		NUT M4						1	
24		WS0410002KN		SPRING WASHER						1	
25		WP0430801SC		WASHER 4.3X9X0.8						1	
26		G5415340000		ANCHOR						2	
27	D	G5429340000		SENSOR PLATE X						1	
28		SM6040802TP		SCREW M4X0.7 L=8						2	
29		WS0410002KN		SPRING WASHER						2	
30		WP0430800SC		WASHER M4						2	
31		G5416340000		STOPPER BASE						1	
32		SM6051802TP		SCREW M5 L=18						1	
33		G5417340000		STOPPER						1	
34		SM6051552TP		SCREW M5 L=15						1	
35		G5418340000		ANCHOR						1	
36		SM8040602TP		SCREW M4X0.7 L=6						1	
37	D	G5421340000		SPRING						2	
38		G5419340000		SHAFT						1	
39	D	G5420340000		STOPPER LEVER						1	
40		SM6051602TP		SCREW M5X0.8 L=16						1	
41		SM9052003SD		SCREW M5X0.8 L=20						1	
42		NM6050001SC		NUT M5						1	
43	D	G5422340000		WORKPIECE PRESSER LEVER						1	
44		G5424340000		BUSHING						1	
45		SM6051002TP		SCREW M5X0.8 L=10						1	
46		17787904		WORKPIECE PRESSER SHAFT						1	

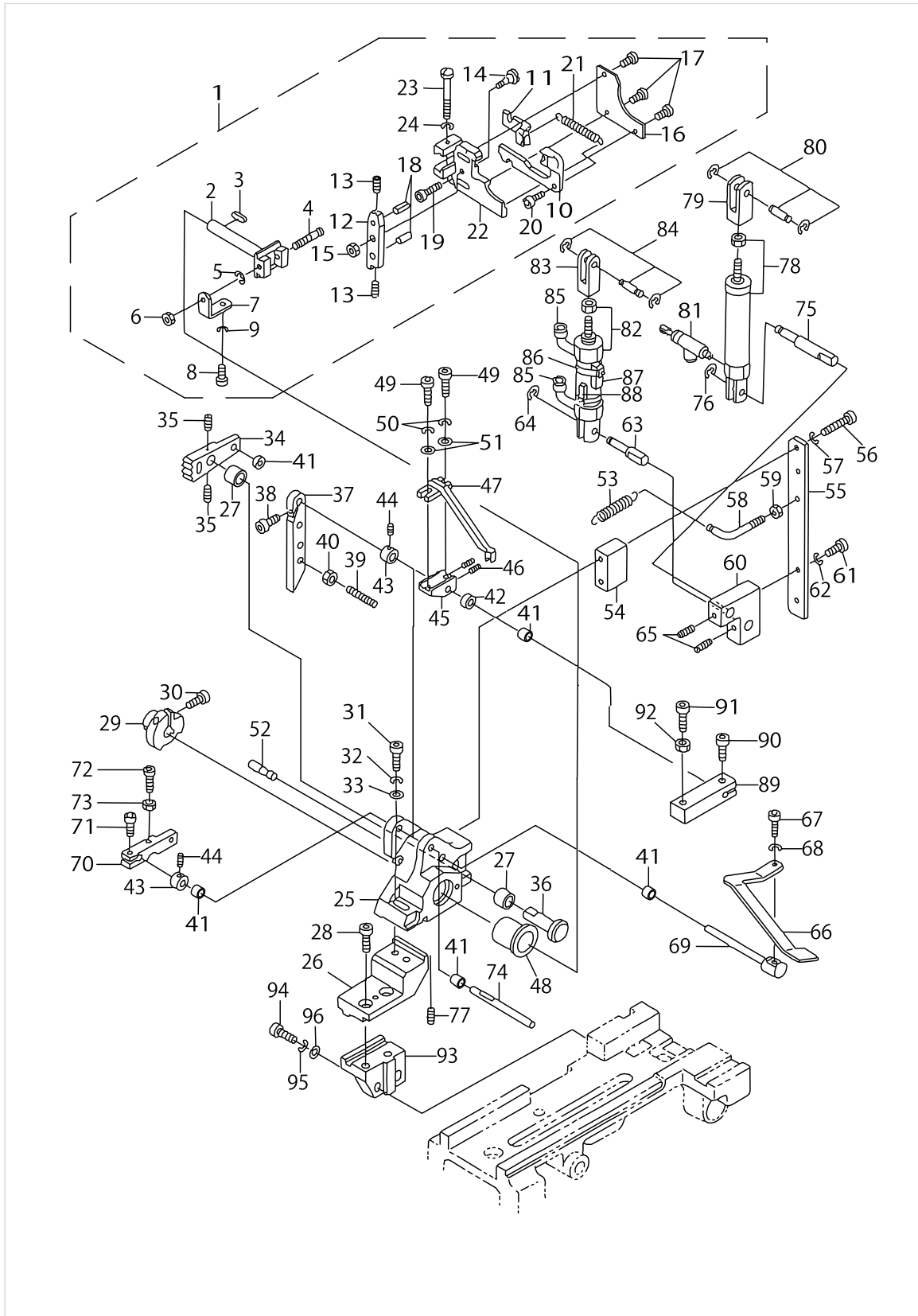
X-Y TABLE & TONGS RETURN COMPONENTS



X-Y TABLE & TONGS RETURN COMPONENTS

No.	Supply Code	Parts No.	Replacement	Parts name	Remarks	Choice	Step	Level	Cons	Qty	Rep. QTY
47		SM8041012TP		SCREW M4 L=10						1	
48		17795006		RETURN PLATE						1	
49		17795105		SCREW						2	
50		G5432340000		TONGS RETURN LEVER						1	
51		SM6051602TP		SCREW M5X0.8 L=16						1	
52	D	G5837116000		GRIP						1	
53		SM6082002TP		SCREW M8 L=20						1	
54		WS0820002KN		SPRING WASHER M8						1	
55	D	17791005		CYLINDER BASE						1	
56		SM6041202TP		SCREW M4X0.7 L=12						2	
57		WS0410002KN		SPRING WASHER						2	
58		PA1601517A0		CYLINDER						1	
59		PC010507000		SPEED CONTROLLER						1	
60	D	G5153340000		CYLINDER EDGE						1	
61		17787201		COVER INSTALLING PLATE						1	
62		SM6041802TP		SCREW M4 L=18						2	
63		WS0410002KN		SPRING WASHER						2	
64		SM6042002TP		SCREW M4X0.7 L=20						1	
65		G5410340000		RUBBER CUSHION						1	

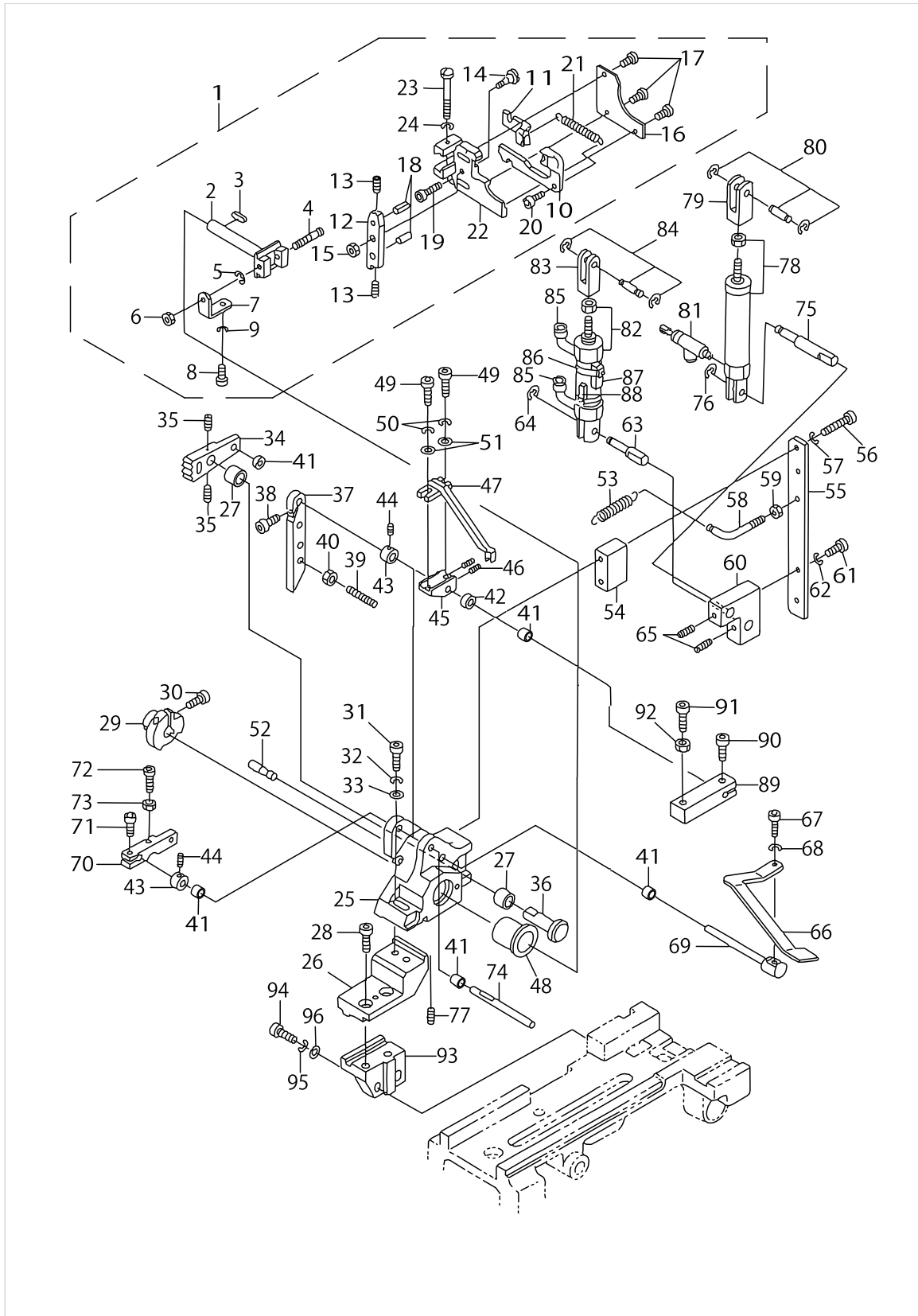
BUTTON CHUCK COMPONENTS



BUTTON CHUCK COMPONENTS

No.	Supply Code	Parts No.	Replacement	Parts name	Remarks	Choice	Step	Level	Cons	Qty	Rep. QTY
1		17784067		BUTTONCHUCKASM.						1	
2	D	17778606		TURN OVER SHAFT				*		1	
3	D	G5545340000		KEY				*		1	
4		17782103		PIN				*		1	
5		RE0300000K0		E-RING 3				*		1	
6		17798406		U NUT				*		1	
7		G5533340000		BRACKET				*		1	
8		SM6030802TP		SCREW M3X0.5 L=8				*		1	
9		WS0310002KN		SPRING WASHER M3				*		1	
10	D	17784000		PAWL LARGE				*		1	
11		17784109		PAWL SMALL				*		1	
12		17784307		LEVER				*		1	
13		SM8030502TP		SCREW M3 L=5				*		2	
14		17784406		LEVER STUD				*		1	
15		NS6110310SP		NUT 11/64-40				*		1	
16		G5527340000		COVER				*		1	
17	R	SS4080610SP	SS4080620TP	SCREW 1/8-44 L=6.4				*		3	1.00
18	D	G5529340000		PIN				*		2	
19	D	G5530340000		SPRING ANCHOR LARGE				*		1	
20	D	G5531340000		SPRING ANCHOR SMALL				*		1	
21		G5532340000		SPRING				*		1	
22		G5523340000A		SLIDE BASE				*		1	
23		SS7112420SP		SCREW 11/64-40L=24				*		1	
24		WS0451040KP		SPRING WASHER 4.5X8.5X1				*		1	
25		17788217		BUTTON CLAMP BRACKET						1	
26		17778507		ADJUSTING BASE UPPER						1	
27		G5495340000		NEEDLE BEARING						2	
28	R	SM6061552TP	SM6061552SP	SCREW M6 L=15						2	1.00
29		17778705		TURN OVER GEAR						1	
30		SM6041202TP		SCREW M4X0.7 L=12						1	
31		SM6051602TP		SCREW M5X0.8 L=16						2	
32		WS0510002KN		SPRING WASHER						2	
33		WP0531001SC		WASHER						2	
34		17788308		TURNING-OVER GEAR B						1	
35		SM8040602TP		SCREW M4X0.7 L=6						2	
36		G5442340000		PIN						1	
37		17788407		WORKPIECE PRESSER CAM						1	
38		SM6041202TP		SCREW M4X0.7 L=12						1	
39		G5448340000		ANCHOR A						1	
40		NM6050001SC		NUT M5						1	
41	D	G5445340000		METAL A						5	
42		G5447340000		COLLAR						1	
43		G5453340000		SET COLLAR						2	
44		SM8030502TP		SCREW M3 L=5						2	
45		G5450340000		NECK SUPPORT BRACKET						1	
46		SM8030602TP		SCREW M3X0.5 L=6						2	

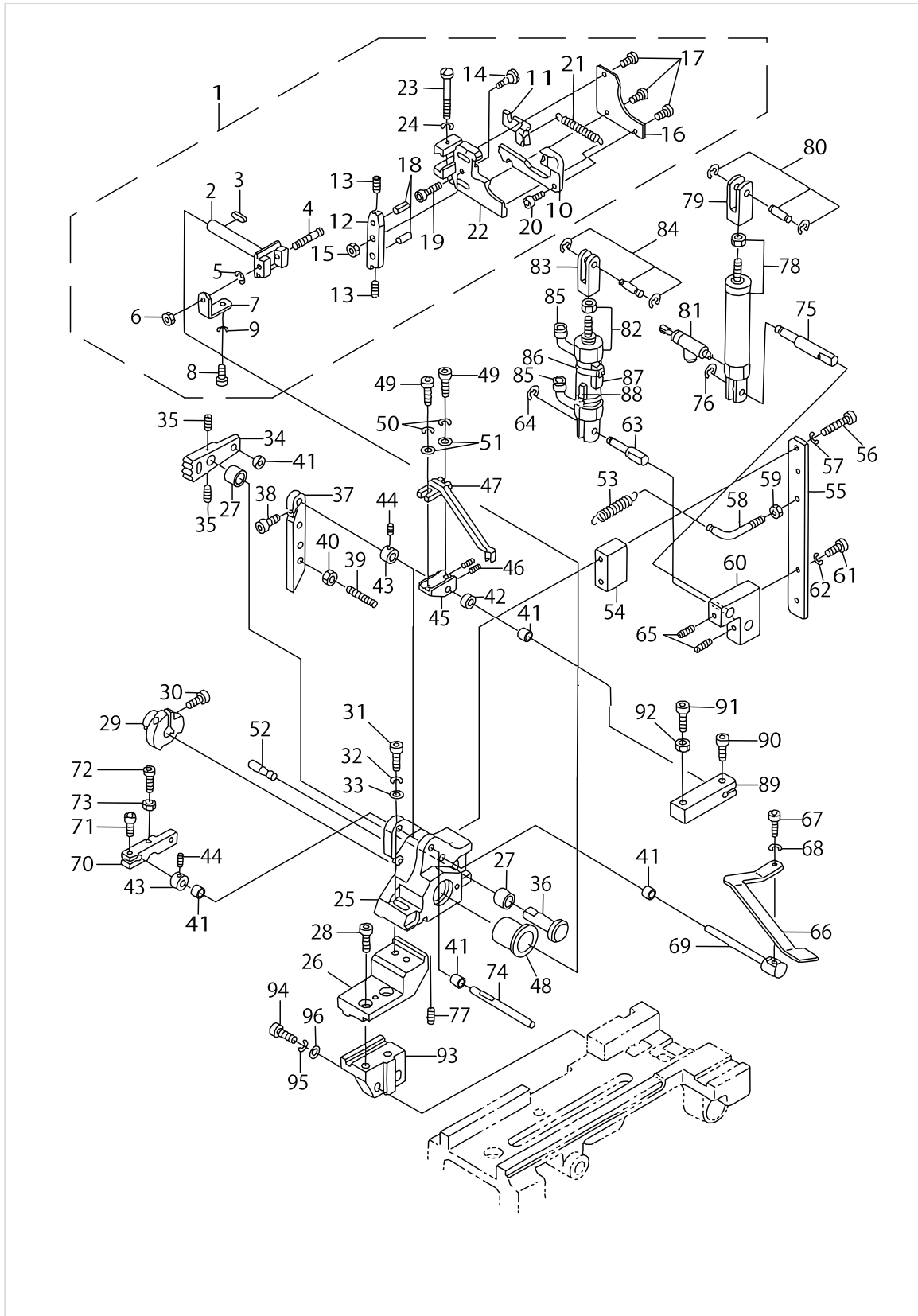
BUTTON CHUCK COMPONENTS



BUTTON CHUCK COMPONENTS

No.	Supply Code	Parts No.	Replacement	Parts name	Remarks	Choice	Step	Level	Cons	Qty	Rep. QTY
47	D	G5449340000		NECK SUPPORT						1	
48		17778804		METAL						1	
49		SM6031002TP		HEXAGONAL BOLT M3 X 10						2	
50		WS0310002KN		SPRING WASHER M3						2	
51		WP0320500SC		WASHER M3						2	
52	D	G5440340000		STOPPER PIN						1	
53		G5460340000		SPRING						1	
54		G5455340000		SPACER						1	
55		G5454340000		CONNECTING PLATE						1	
56		SM6043552TP		BOLT						2	
57		WS0410002KN		SPRING WASHER						2	
58		G5457340000		ANCHOR B						1	
59		NM6040001SC		NUT M4						1	
60	D	G5456340000		CYLINDER BASE						1	
61		SM6041502TP		SCREW M4X0.7 L=15						2	
62		WS0410002KN		SPRING WASHER						2	
63		17788506		CYLINDER PIN A						1	
64		RE0300000K0		E-RING 3						1	
65		SM8040602TP		SCREW M4X0.7 L=6						2	
66		17796202		WORK PIECE PRESSER						1	
67		SM8040802TP		SCREW M4X8						1	
68		WS0410002KN		SPRING WASHER						1	
69	D	G5444340000		WORKPIECE PRESSER SHAFT						1	
70		G5451340000		NECK SUPPORT ARM						1	
71		SM6041002TP		SCREW M4 L=10						1	
72		SM6042002TP		SCREW M4X0.7 L=20						1	
73		NM6040001SC		NUT M4						1	
74		G5452340000		NECK SUPPORT SHAFT						1	
75		17788605		CYLINDER PIN B						1	
76		RE0300000K0		E-RING 3						1	
77		SM8041012TP		SCREW M4 L=10						1	
78		PA1602508A0		CYLINDER						1	
79		PX500020000		KNUCKLE JOINT						1	
80		PX5000280A0		PIN						1	
81		PC010507000		SPEED CONTROLLER						1	
82		PA1601701A0		CYLINDER						1	
83		PX500020000		KNUCKLE JOINT						1	
84		PX5000280A0		PIN						1	
85		PJ304040504		ELBOW UNION						2	
86		PX5000480A0		SWITCH FITTING METAL						2	
87		17771155		DETECT CABLE ASM.						1	
88		17771254		DETECT CABLE ASM.						1	
89		17778101		NECKSUPPORTBASE						1	
90		SM6030802TP		SCREW M3X0.5 L=8						1	
91		SM6031202TP		SCREW M3X0.5 L=12						1	
92		NM6030001SC		NUT M3						1	

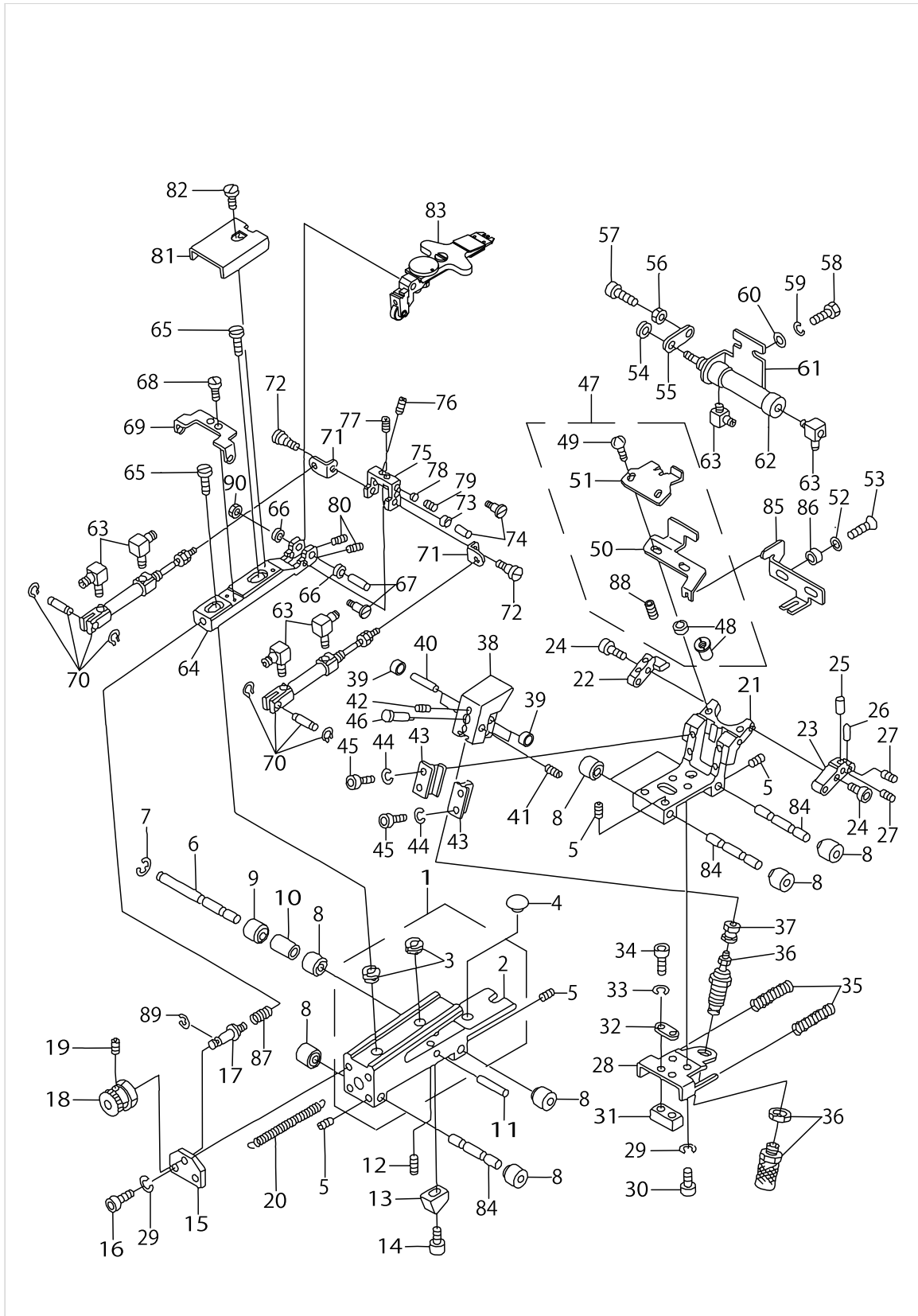
BUTTON CHUCK COMPONENTS



BUTTON CHUCK COMPONENTS

No.	Supply Code	Parts No.	Replacement	Parts name	Remarks	Choice	Step	Level	Cons	Qty	Rep. QTY
93		17778002		ADJUSTING BASE LOWER						1	
94		SM6062002TP		SCREW M6 L=20						2	
95		WS0610002KN		SPRING WASHER 6.1X12.2X1.5						2	
96		WP0641601SC		WASHER						2	

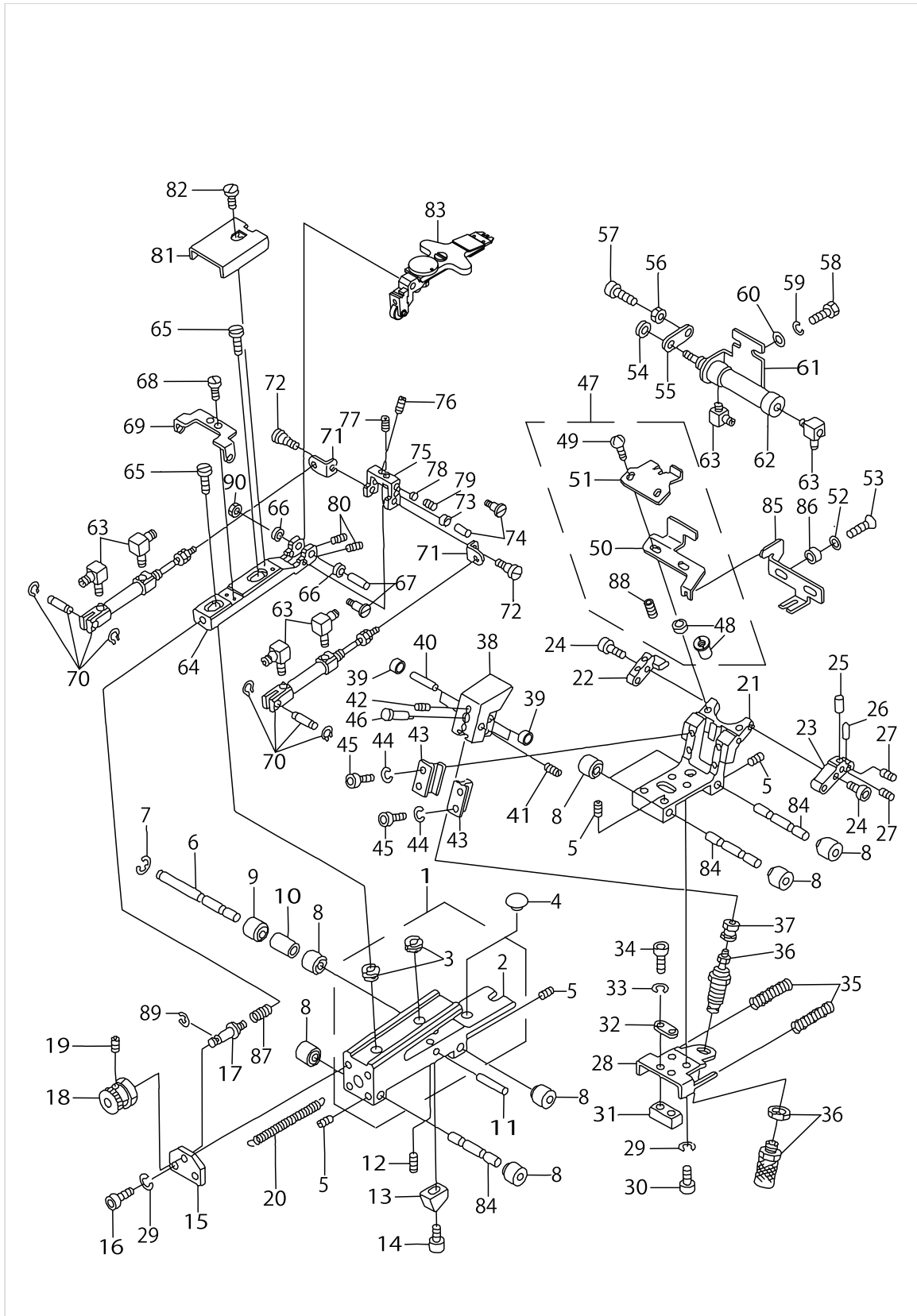
THROAT PLATE & TONGS COMPONENTS



THROAT PLATE & TONGS COMPONENTS

No.	Supply Code	Parts No.	Replacement	Parts name	Remarks	Choice	Step	Level	Cons	Qty	Rep. QTY
1		17790254		TONGS INSTALLING BASE ASM.						1	
2		17790205		TONGS INSTALLING BASE				*		1	
3		17789108		SCREW				*		2	
4		TA1450404R0		RUBBER PLUG D=14.5 L=4						1	
5		SM8030502TP		SCREW M3 L=5						6	
6		G5464340000		ROLLER SHAFT B						1	
7		RE0300000K0		E-RING 3						1	
8	D	G5465340000		ROLLER A						8	
9		G5466340000		ROLLER B						1	
10	D	G5467340000		SPACER						1	
11	D	G5468340000		ANCHOR						1	
12		SM8030502TP		SCREW M3 L=5						2	
13		G5417340000		STOPPER						1	
14		SM6051552TP		SCREW M5 L=15						1	
15		17789900		TONGS ADJUSTING PLATE						1	
16		SM6041002TP		SCREW M4 L=10						2	
17		17790007		TONGS ADJUSTING PIN						1	
18		17790106		ADJUSTING DIAL						1	
19		SM8030502TP		SCREW M3 L=5						2	
20	D	G5411340000		SPRING						1	
21	R	17790304	17790312	WORK PIECE HOLDER BASE		A				1	1.00
21	R	17790304	17794710	WORK PIECE HOLDER BASE		A				1	1.00
21	R	17790304	17777715	WORK PIECE HOLDER BASE		A				1	1.00
21	R	17790304	17794611	WORK PIECE HOLDER BASE		A				1	1.00
21	R	17790304	17791005	WORK PIECE HOLDER BASE		A				1	1.00
22	D	17794603		GUIDE LEFT A						1	
23		17794702		GUIDE RIGHT A						1	
24		SM6031002TP		HEXAGONAL BOLT M3 X 10						4	
25		G5254340000		GUIDE PIN						1	
26		G5255340000		PIN						1	
27		SM8030502TP		SCREW M3 L=5						2	
28		17776600		PRESSER CYLINDER BASE						1	
29		WS0410002KN		SPRING WASHER						4	
30		SM6040802TP		SCREW M4X0.7 L=8						2	
31		17776808		STOPPER BLOCK						1	
32		B4122052000		WASHER						1	
33		WS0310002KN		SPRING WASHER M3						2	
34		SM6031002TP		HEXAGONAL BOLT M3 X 10						2	
35	D	G5414340000		SPRING						2	
36		PA0601001A0		PIN CYLINDER						1	
37		17777103		PUSH ROD						1	
38		17790403		AUXILIARY PRESSER						1	
39		17777202		AUXILIARY PRESSER ROLLER						4	
40		17799701		NEEDLE GAUGE						2	
41		SM8030602TP		SCREW M3X0.5 L=6						1	
42		SM8030602TP		SCREW M3X0.5 L=6						2	

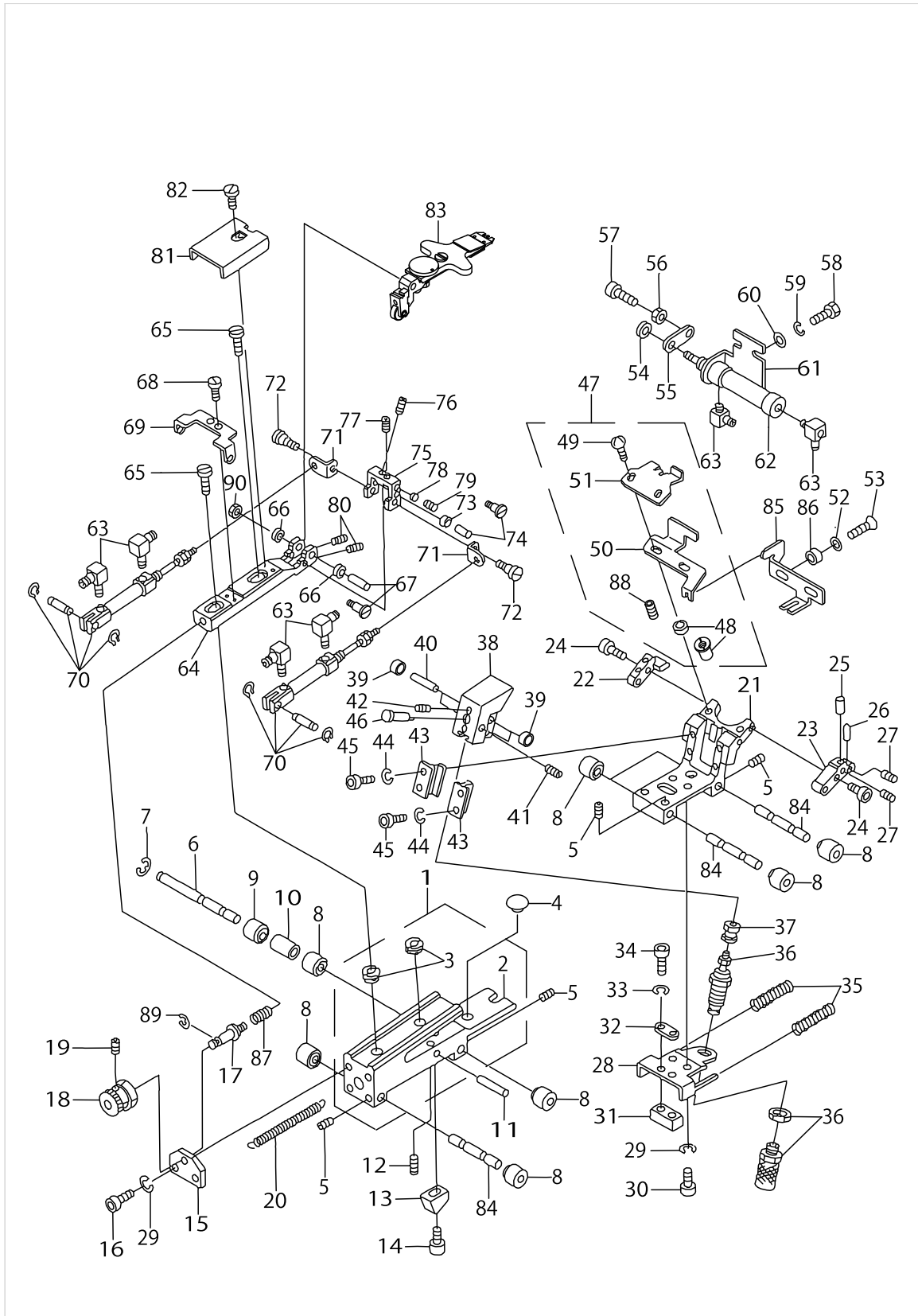
THROAT PLATE & TONGS COMPONENTS



THROAT PLATE & TONGS COMPONENTS

No.	Supply Code	Parts No.	Replacement	Parts name	Remarks	Choice	Step	Level	Cons	Qty	Rep. QTY
43		17776907		AUXILIARY PRESSER HOLDER						2	
44		WS0310002KN		SPRING WASHER M3						4	
45		SM6031002TP		HEXAGONAL BOLT M3 X 10						4	
46		17777004		PRESSER ADJUSTING PIN						1	
47		17791450		THROAT PLATE ASM.						1	
48	D	17791104		COLLAR				*		2	
49	D	G5499340000		SCREW				*		2	
50		17777707		SLIDE THROAT PLATE				*		1	
51		17791401		THROAT PLATE				*		1	
52		17798802		DISH WASHER (QWE03008ZC)						2	
53		17799404		DISH SCREW KDS-0308						2	
54		B1707555000		WASHER						1	
55	D	17778408		STOPPER PLATE						1	
56		NM6030001SC		NUT M3						1	
57		SM6031202TP		SCREW M3X0.5 L=12						1	
58		SM9040803SE		SCREW M4 L=8						2	
59		WS0410002KN		SPRING WASHER						2	
60		WP0430801SC		WASHER 4.3X9X0.8						2	
61		17778309		CYLINDER BASE						1	
62		PA0600801A0		CYLINDER						1	
63		PJ046052503		HOSE ELBOW						6	
64	D	17789801		TONGS R						1	
65		SS6121860SP		SCREW 3/16-28 L=18						2	
66	D	G5445340000		METAL A						2	
67		G5472340000		TONGS PIVOT SHAFT						1	
68		SS6080720SP		SCREW						2	
69		17776204		CYLINDER BRACKET						1	
70		PA100080100		AIR CYLINDER						2	
71		17776303		CHANGING KNUCKLE						2	
72		SD0500204TP		HINGE SCREW						2	
73	D	17799800		LEVER BUSH						2	
74		G5254340000		GUIDE PIN						2	
75		17776105		TONGS CHANGING LEVER						1	
76		SM8041012TP		SCREW M4 L=10						1	
77		SM8040802TP		SCREW M4X8						1	
78		17789603		RUBBER						2	
79		SM8030402TP		SCREW M3X0.5 L=4						2	
80		SM8030302TP		SCREW M3X0.5 L=3						2	
81		17789306		TONGS COVER						1	
82		SS6080610TP		SCREW 1/8-44 L=6						2	
83		17788761		TONGS ASM.	FOR DETAILS SEE OPTIONAL PART COMPONENTS (P.51)					1	
84		G5463340000		ROLLER SHAFT A						3	
85		17778200		DRIVING LINK PLATE						1	
86		G5539340000		LOOPER METAL						2	

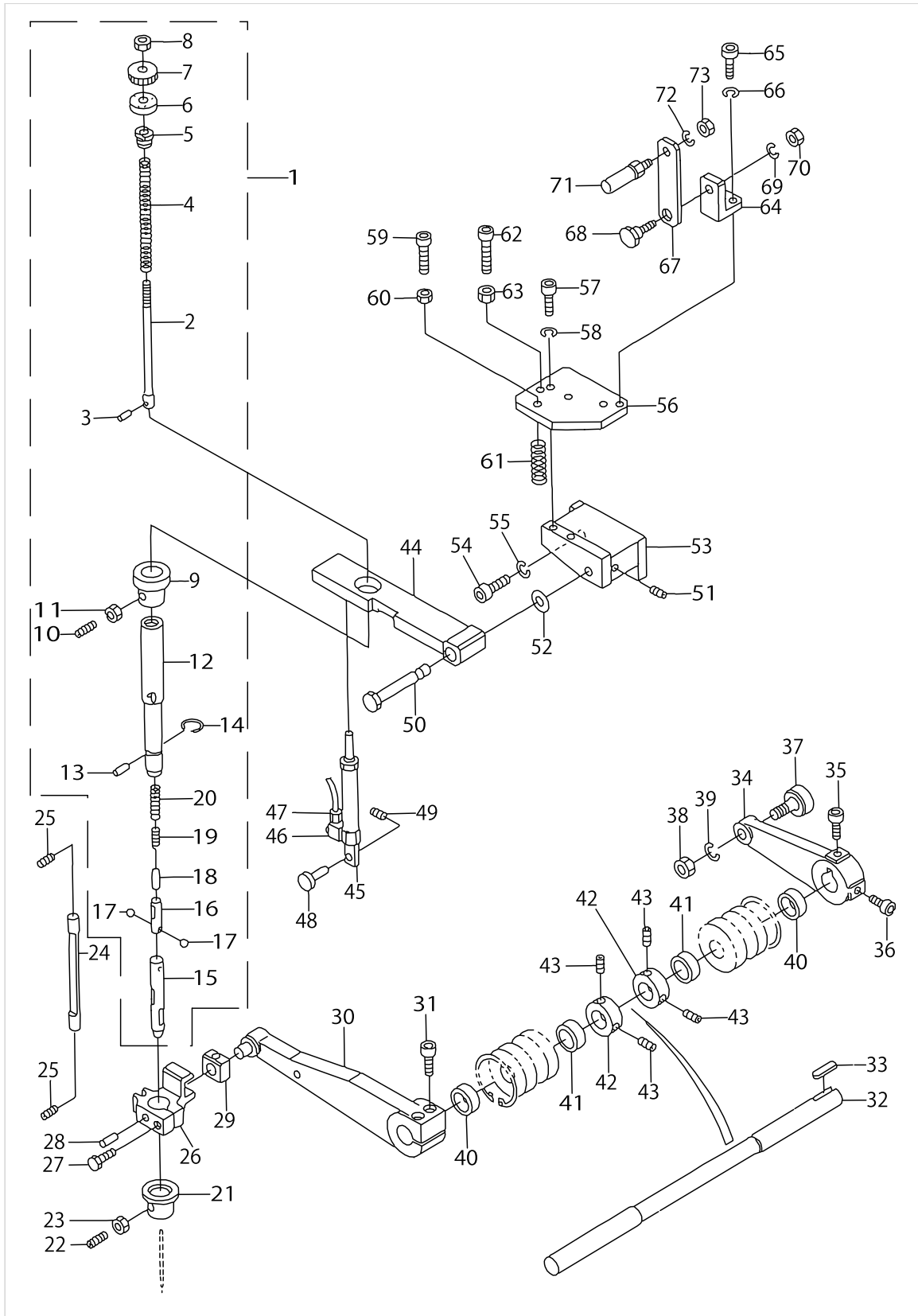
THROAT PLATE & TONGS COMPONENTS



THROAT PLATE & TONGS COMPONENTS

No.	Supply Code	Parts No.	Replacement	Parts name	Remarks	Choice	Step	Level	Cons	Qty	Rep. QTY
87	R	B1652704000	31256803	SPRING						1	1.00

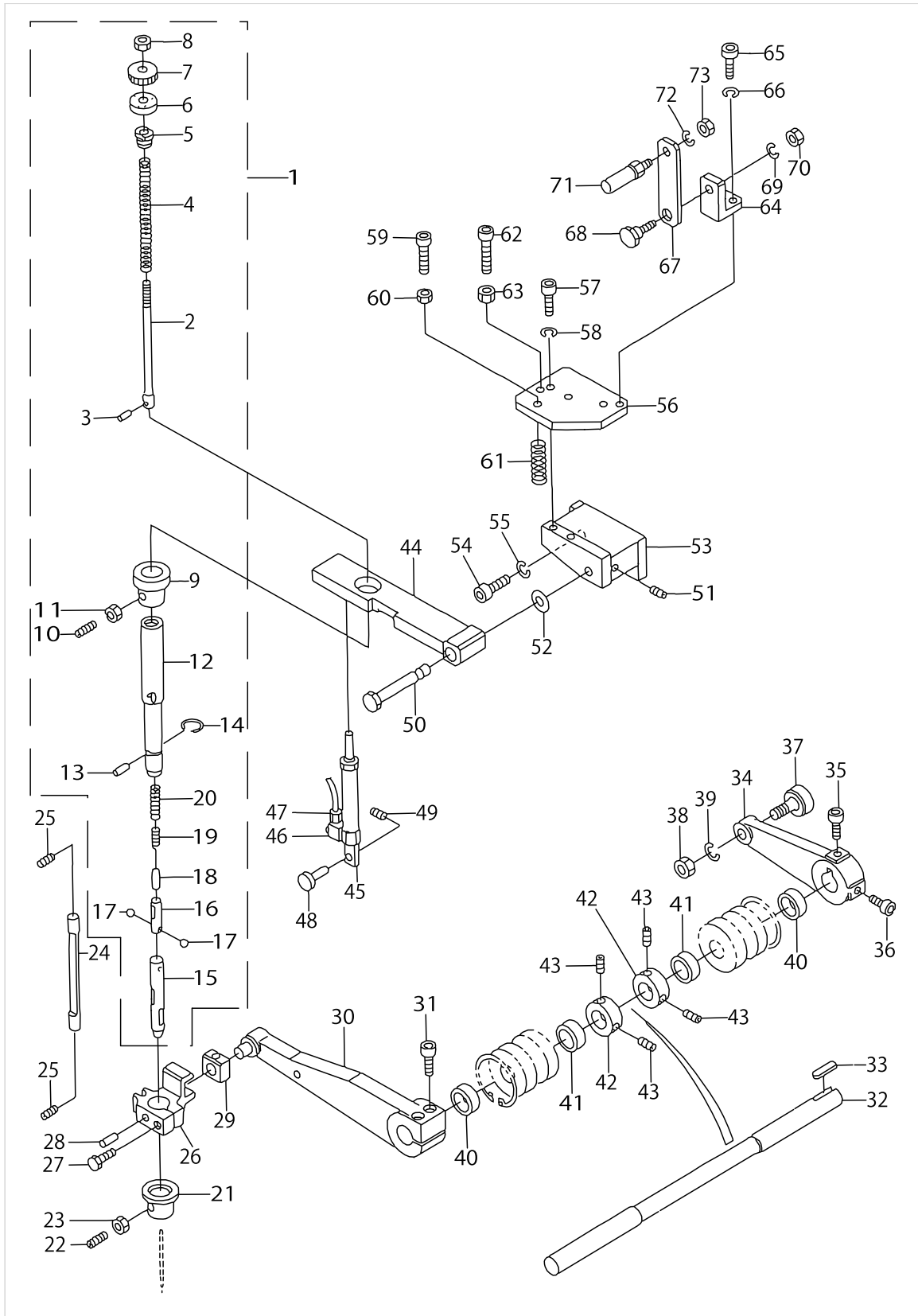
NEEDLE BAR COMPONENTS (1)



NEEDLE BAR COMPONENTS (1)

No.	Supply Code	Parts No.	Replacement	Parts name	Remarks	Choice	Step	Level	Cons	Qty	Rep. QTY
1	D	17782053		NEEDLEBAR#38ASM.						1	
2	D	G5505340000		SUPPORT SLEEVE ROD				*		2	
3		G5514340000		PIN				*		2	
4	D	G5508340000		BAR SPRING				*		2	
5		G5509340000		BOLT				*		2	
6	D	G5511340000		RUBBER WASHER				*		2	
7		G5510340000		NEEDLE BAR				*		2	
8	D	G5515340000		NUT				*		1	
9	D	G5516340000A		BUSHING A				*		1	
10		SM8041012TP		SCREW M4 L=10				*		1	
11		NM6040001SC		NUT M4				*		1	
12		G5501340000		SUPPORT CYLINDER				*		1	
13	D	G5512340000		STOP PIN				*		1	
14		G5513340000		RING				*		1	
15	D	17782004		SUPPORT SLEEVE				*		1	
16	D	G5503340000		STEEL BALL HOLDER				*		1	
17	D	G5542340000		STEEL BALL				*		2	
18		G5504340000		PIN				*		1	
19		G5506340000		STOP SPRING				*		1	
20		G5507340000		LOCK SPRING				*		1	
21		G5517340000A		BUSHING B						1	
22		SM8041012TP		SCREW M4 L=10						1	
23		NM6040001SC		NUT M4						1	
24		G5226340000		BOSS A						1	
25		SM8040802TP		SCREW M4X8						1	
26	D	G5521340000		LIFTING BLOCK UPPER						1	
27	D	G5583340000		BOSS CLAMP BOLT						1	
28		G5543340000		PIN						1	
29	D	G5522340000		SLIDE BLOCK						1	
30	D	G5119340000		CAM LEVER						1	
31		SM6052502TP		SCREW M5X0.8 L=25						2	
32		G5116340000		AUXILIARY SHAFT						1	
33	D	G5173340000		KEY						1	
34	D	G5117340000		CAM FOLLOWER LEVER						1	
35		SM6041202TP		SCREW M4X0.7 L=12						1	
36		SM6041602TP		SCREW M4X0.7 L=16						1	
37		G5174340000		CAM FOLLOWER						1	
38		NM6050001SC		NUT M5						1	
39		WS0510002KN		SPRING WASHER						1	
40		G5121340000		COLLAR						2	
41		G5120340000		COLLAR						2	
42		G5122340000		COLLAR						2	
43		SM8050602TP		SCREW M5 L=6						4	
44		G5157340000		LIFTER ARM						1	
45		PA160151600		CYLINDER						1	
46		PJ042050002		ELBOW						1	

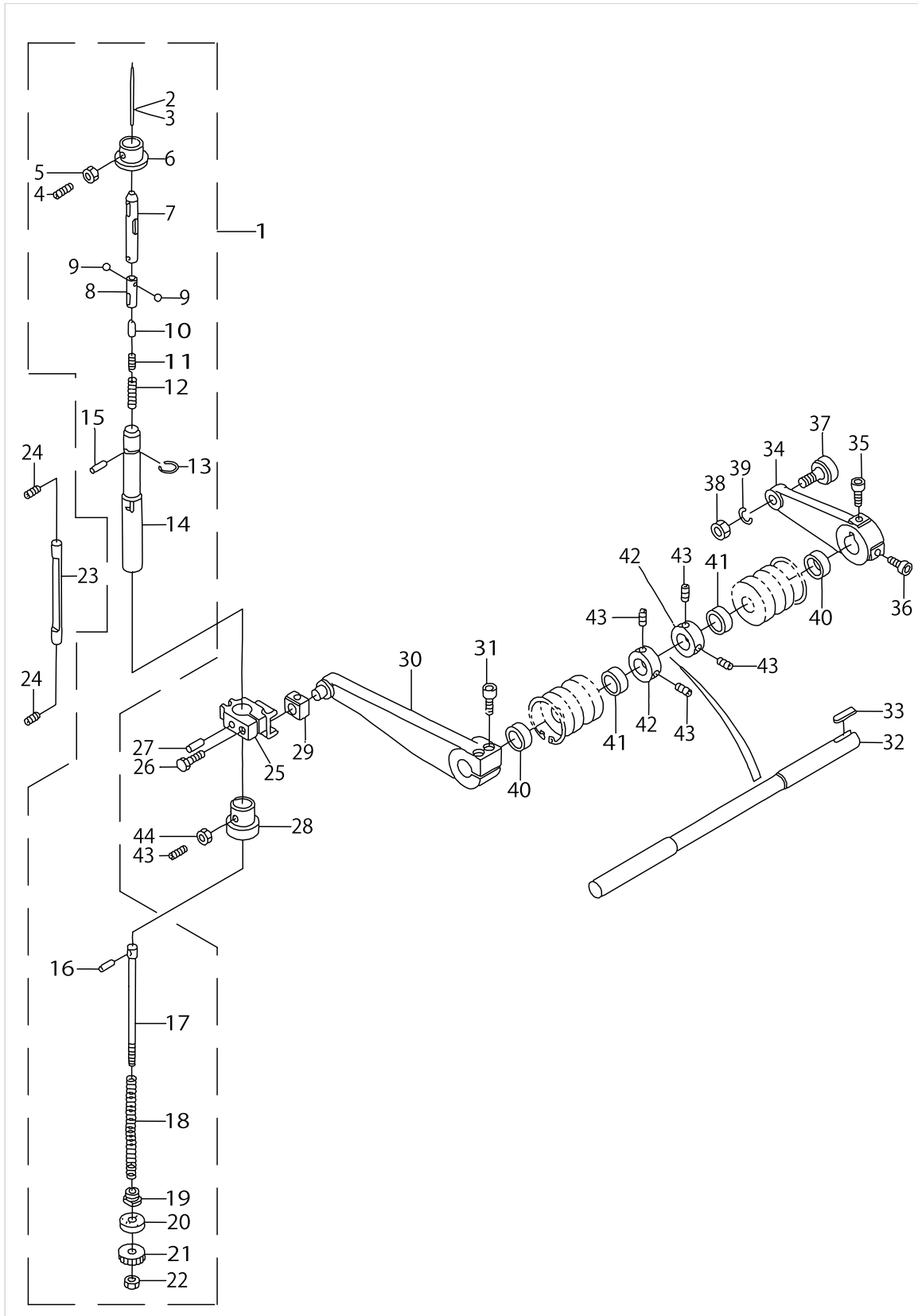
NEEDLE BAR COMPONENTS (1)



NEEDLE BAR COMPONENTS (1)

No.	Supply Code	Parts No.	Replacement	Parts name	Remarks	Choice	Step	Level	Cons	Qty	Rep. QTY
47		PJ301040502		HALF UNION 4XM5						1	
48		G5158340000		CYLINDER PIVOT PIN						1	
49		SM8050812TP		SCREW M5X8						1	
50		G5155340000		PIVOT PIN						1	
51		SM8050602TP		SCREW M5 L=6						1	
52		G5156340000		WASHER						1	
53		G5154340000		BASE						1	
54		SM6061802TP		SCREW M6 L=18						2	
55		WS0610002KN		SPRING WASHER 6.1X12.2X1.5						2	
56		17786104		PRESSER PLATE						1	
57		SM6041502TP		SCREW M4X0.7 L=15						2	
58		WS0410002KN		SPRING WASHER						2	
59		SM6062502TP		SCREW M6 L=25						1	
60		NM6060001SC		NUT M6						1	
61		G5160340000		SPRING						1	
62		SM6041802TP		SCREW M4 L=18						1	
63		NM6040001SC		NUT M4						1	
64		17786005		PIVOT BASE						1	
65		SM6041502TP		SCREW M4X0.7 L=15						2	
66		WS0510002KN		SPRING WASHER						2	
67		17786302		COVER PRESSER ARM						1	
68		17786203		ARM PIVOT PIN						1	
69		WS0610002KN		SPRING WASHER 6.1X12.2X1.5						1	
70		NM6060001SC		NUT M6						1	
71		17786500		PICK-UP SHAFT						1	
72		WS0610002KN		SPRING WASHER 6.1X12.2X1.5						1	
73		NM6060001SC		NUT M6						1	

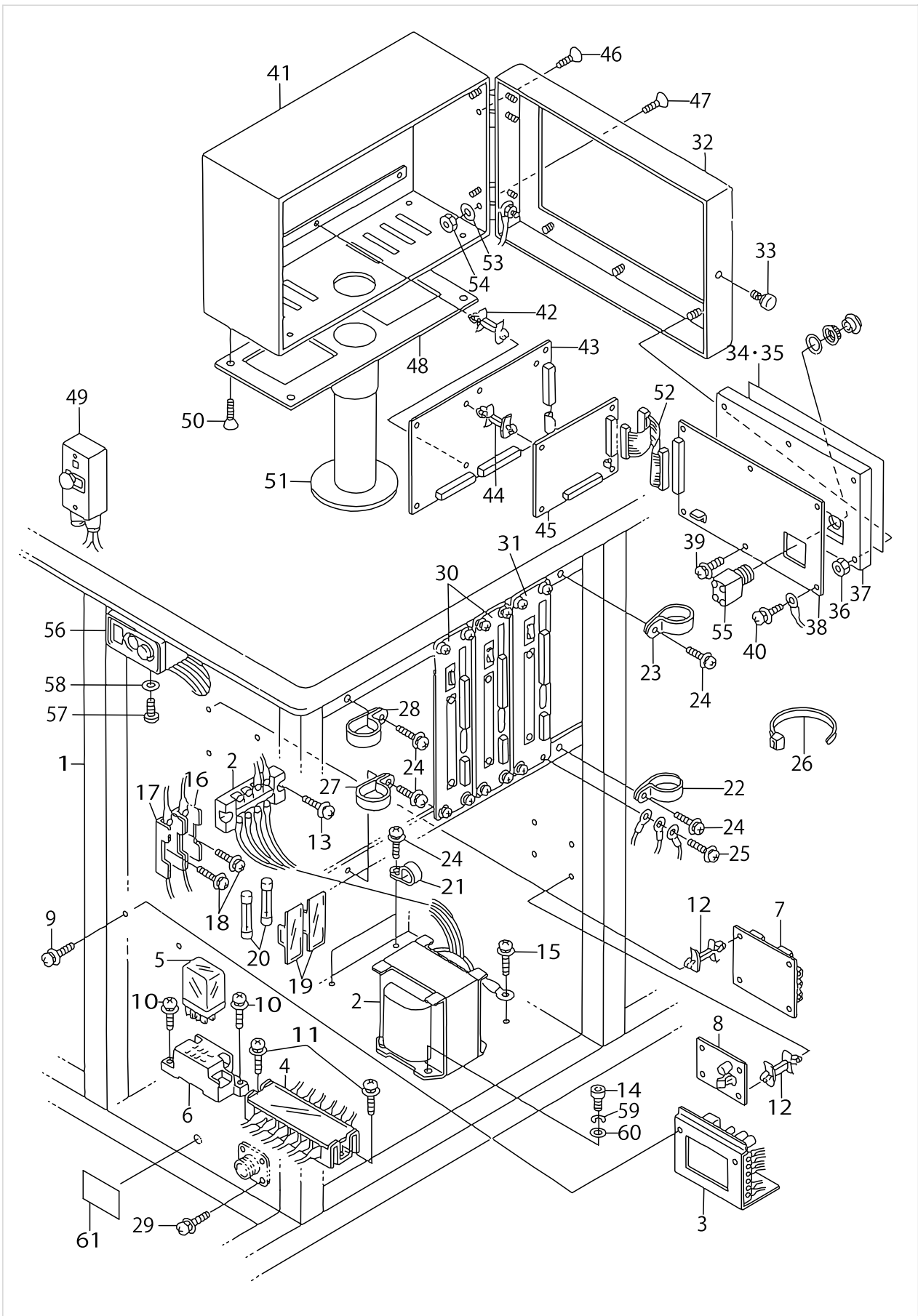
NEEDLE BAR COMPONENTS (2)



NEEDLE BAR COMPONENTS (2)

No.	Supply Code	Parts No.	Replacement	Parts name	Remarks	Choice	Step	Level	Cons	Qty	Rep. QTY
1	D	17782053		NEEDLEBAR#38ASM.						1	
2	D	MDPN20A1000		NEEDLE DPN-2000A38	FOR JAPAN			*		1	
3	D	MC901001000		NEEDLE 7877-40-2000A/38	FOR EXPORT			*		1	
4		SM8041012TP		SCREW M4 L=10				*		2	
5		NM6040001SC		NUT M4				*		1	
6		G5518340000A		BUSH C				*		1	
7	D	17782004		SUPPORT SLEEVE				*		1	
8	D	G5503340000		STEEL BALL HOLDER				*		1	
9	D	G5542340000		STEEL BALL				*		2	
10		G5504340000		PIN				*		1	
11		G5506340000		STOP SPRING				*		1	
12		G5507340000		LOCK SPRING				*		1	
13		G5513340000		RING				*		1	
14		G5501340000		SUPPORT CYLINDER				*		1	
15	D	G5512340000		STOP PIN				*		1	
16		G5514340000		PIN				*		1	
17	D	G5505340000		SUPPORT SLEEVE ROD				*		1	
18	D	G5508340000		BAR SPRING				*		1	
19		G5509340000		BOLT				*		1	
20	D	G5511340000		RUBBER WASHER				*		1	
21		G5510340000		NEEDLE BAR				*		1	
22	D	G5515340000		NUT				*		1	
23		G5226340000		BOSS A						1	
24		SM8040802TP		SCREW M4X8						2	
25	D	G5520340000		LIFTING BLOCK LOWER						1	
26	D	G5583340000		BOSS CLAMP BOLT						1	
27		G5543340000		PIN						1	
28		G5519340000A		BUSH D						1	
29	D	G5522340000		SLIDE BLOCK						1	
30		G5118340000		CAM LEVER LOWER						1	
31		SM6052502TP		SCREW M5X0.8 L=25						2	
32		G5116340000		AUXILIARY SHAFT						1	
33	D	G5173340000		KEY						1	
34	D	G5117340000		CAM FOLLOWER LEVER						1	
35		SM6041202TP		SCREW M4X0.7 L=12						1	
36		SM6041602TP		SCREW M4X0.7 L=16						1	
37		G5174340000		CAM FOLLOWER						1	
38		NM6080001SC		NUT M8X1.25						1	
39		WS0820002KN		SPRING WASHER M8						1	
40		G5121340000		COLLAR						2	
41		G5120340000		COLLAR						2	
42		G5122340000		COLLAR						2	
43		SM8050602TP		SCREW M5 L=6						4	

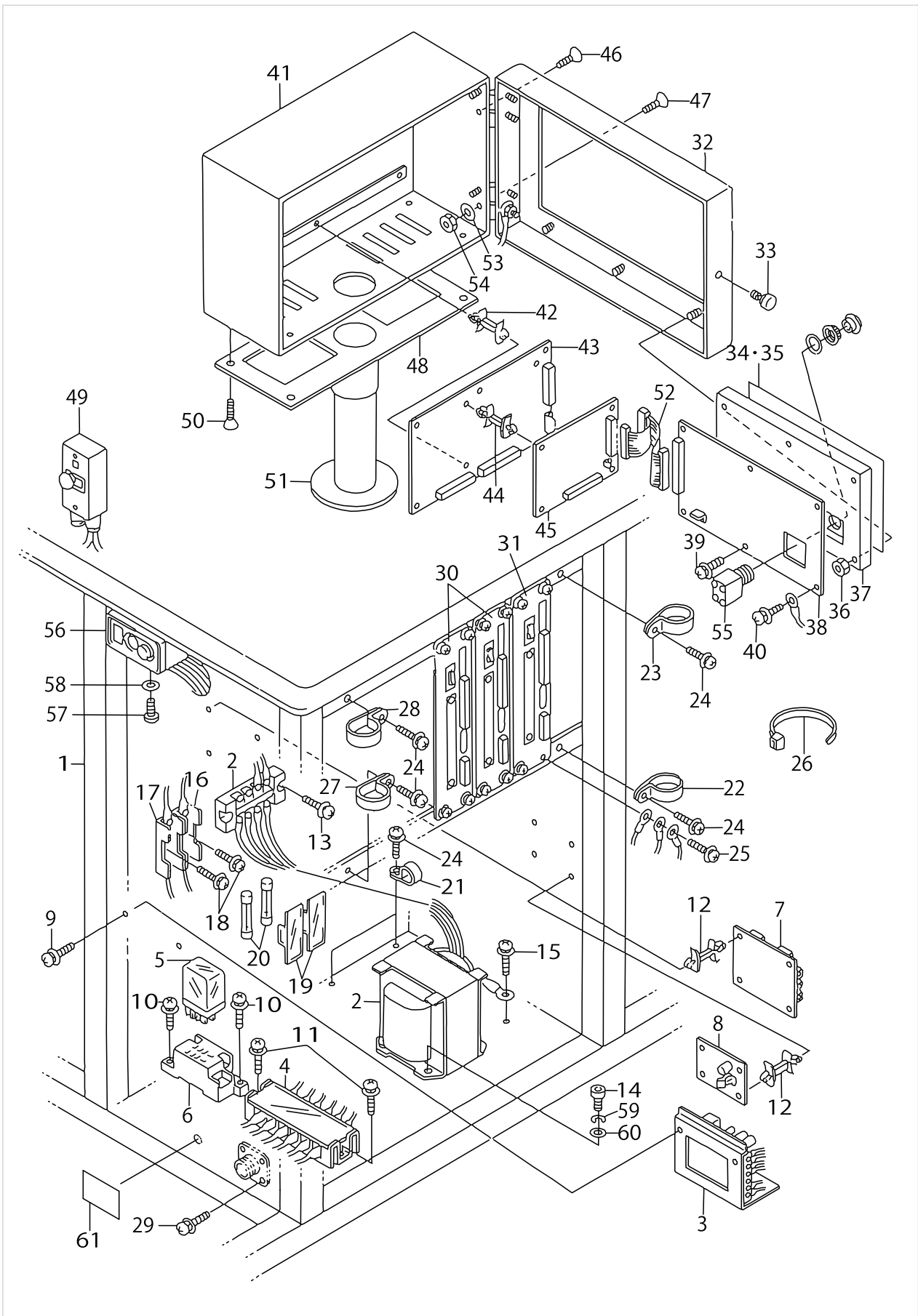
CONTROL BOX COMPONENTS



CONTROL BOX COMPONENTS

No.	Supply Code	Parts No.	Replacement	Parts name	Remarks	Choice	Step	Level	Cons	Qty	Rep. QTY
1		17768102		TRANSMISSION BOX						1	
2		17763558		TRANSFORMER ASM.						1	
3		HX003690000		POWER SOURCE						1	
4		17763350		TERMINALBASEASM.						1	
5	D	HB000330000		RELAY						1	
6	D	HB000310010		RELAY SOCKET						1	
7	D	17769753		SPEED CONTROL BOARD ASM.						1	
8	D	17769852		MOTOR CONTROL I- /F BOARD ASM.						1	
9		SL4040891SC		SCREW M4 L=8						2	
10		SM4041401SC		SCREW M4X0.7 L=14						2	
11		SL4041081SC		SCREW M4 L=10						2	
12	D	HX00115000D		CIRCUIT BOARD SUPPORT						8	
13		SL4041081SC		SCREW M4 L=10						2	
14		SM6051002TP		SCREW M5X0.8 L=10						4	
15		SL4040691SC		SCREW M4 L=6						1	
16		HF005111000		FUSE HOLDER	FOR JAPAN & EXPORT (240V OR LESS)					1	
17		HF00511100A		FUSE HOLDER	FOR JAPAN & EXPORT (240V OR LESS)					1	
18		SM4041001SC		SCREW M4X0.7 L=10	FOR JAPAN & EXPORT (240V OR LESS)					2	
19	D	HF00511100B		FUSEHOLDERCOVER	FOR JAPAN & EXPORT (240V OR LESS)					2	
20		E8523304000		FUSE 10A	FOR JAPAN & EXPORT (240V OR LESS)					2	
21		HX00150000B		CABLE CLIP						2	
22		HX00150000K		CABLE CLIP						1	
23		HX00150000N		CABLE CLIP						1	
24		SL4041091SC		SCREW M4 L=10						6	
25		SL4040691SC		SCREW M4 L=6						1	
26		HX000430000		CLIP						5	
27		HX00150000F		CABLE CLIP						1	
28		HX00150000H		CABLE CLIP						1	
29		SL4030691SC		SCREW M3X6						4	
30	D	17770009		X-Y SHAFT SERVO DRIVER						2	
31	D	17770108		MAIN SHAFT SERVO DRIVER						1	
32	D	16541005		OPERATION BOX FRONT						1	
33		16542508		SCREW						1	
34		17768805		PANEL SHEET	FOR JAPAN					1	
35		17768904		PANEL SHEET	FOR EXPORT					1	
36		17769001		STUD						6	
37		17768409		OPERATION BOX BASE PLATE						1	
38	D	17768755		PANEL BOARD ASM.						1	
39		SL4030691SC		SCREW M3X6						5	
40		SL4030891SC		SCREW M3X8						1	
41	D	16541104		OPERATION BOX REAR						1	

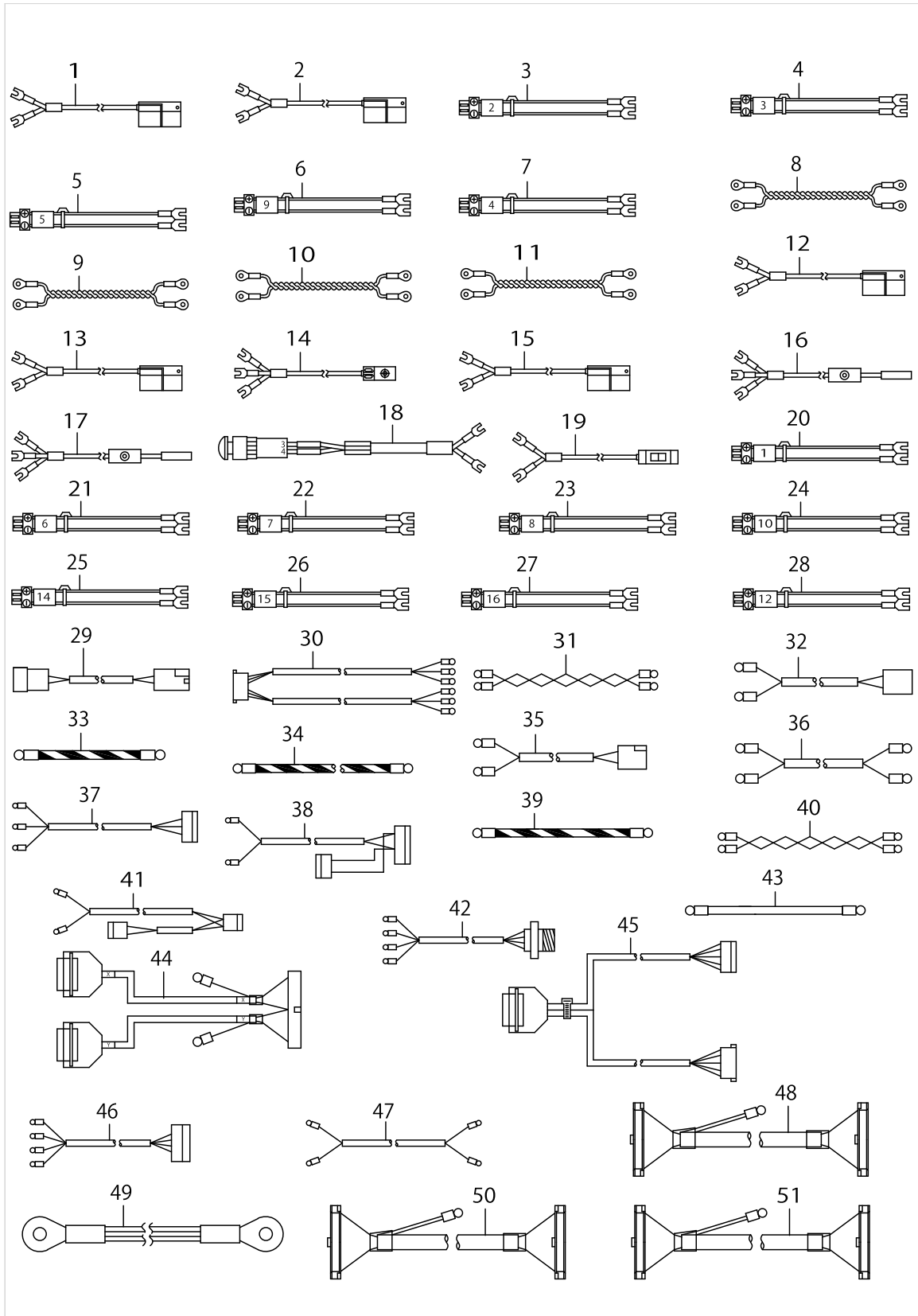
CONTROL BOX COMPONENTS



CONTROL BOX COMPONENTS

No.	Supply Code	Parts No.	Replacement	Parts name	Remarks	Choice	Step	Level	Cons	Qty	Rep. QTY
42		HX00115000A		PCB SUPPORT						5	
43	D	17768557		CPU BOARD ASM.						1	
44		HX00115000E		STUD						4	
45	D	17768656		MOTOR CONTROL BOARD ASM.						1	
46		SM1030501SC		SCREW M3 L=5						6	
47		SM1031601SC		SCREW M3X0.5 L=16						2	
48	D	16541203		OPERATION BOX IN- STALLING PLATE						1	
49		17769654		POWER SOURCE SWITCH ASM. 2	FOR EXPO- RT(380V OR MORE)					1	
50		SM1040801SC		SCREW M4X0.7 L=8						4	
51		17768201		OPERATION BOX BASE PLATE						1	
52	D	16520157		CONTROL BOARD I- NTERFACE CABLE						1	
53	R	WP0320500SF	WP0320500SC	WASHER 3.2X7X0.5						2	1.00
54		NM6030001SC		NUT M3						2	
55		HA003560000		SWITCH						1	
56		17769555		POWER SOURCE SWITCH ASM. 1	FOR JAPAN & EXPORT (240V OR LESS)					1	
57		SK3483200SE		WOOD SCREW D=4.8 L=32						2	
58		WP0531001SC		WASHER						2	
59		WS0510002KN		SPRING WASHER						4	
60		WP0531000SC		WASHER 5.3X10X1						4	
61		CM500000001		POWER SOURCE IN- DICATION LABEL	FOR EXPORT					1	

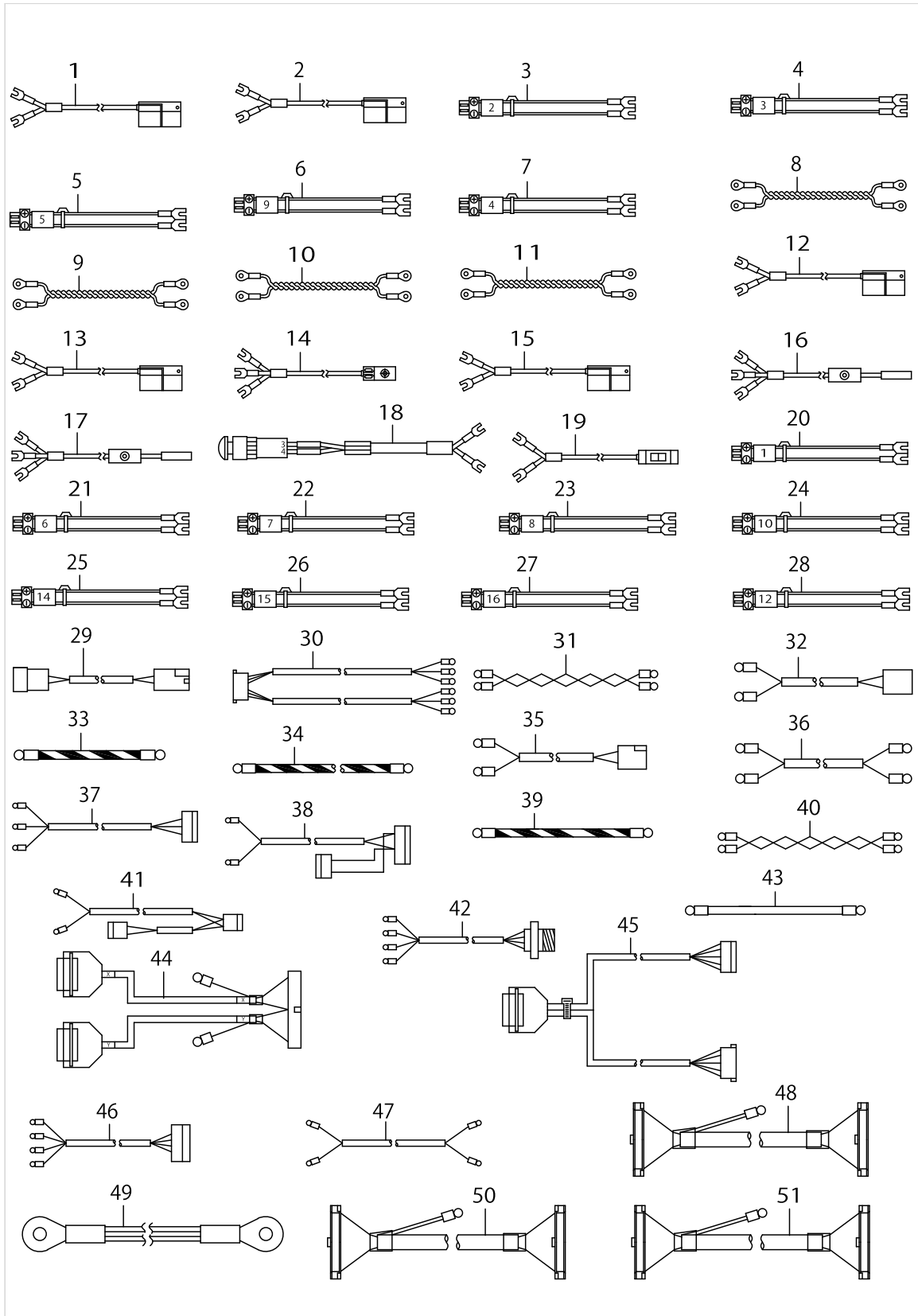
CABLE COMPONENTS



CABLE COMPONENTS

No.	Supply Code	Parts No.	Replacement	Parts name	Remarks	Choice	Step	Level	Cons	Qty	Rep. QTY
1	D	17771353		DETECT CABLE ASM.						1	
2		17771452		DETECT CABLE ASM.						1	
3		17772252		SOLENOID VALVE CABLE ASM.						1	
4		17772351		SOLENOID VALVE CABLE ASM.						1	
5		17772450		SOLENOID VALVE CABLE ASM.						1	
6		17772856		SOLENOID VALVE CABLE ASM.						1	
7		17773359		SOLENOID VALVE CABLE ASM.						1	
8		17770751		SERVO POWER CABLE ASM. 1						1	
9		17770850		SERVO POWER CABLE ASM. 2						1	
10		17770959		PASSAGE CABLE ASM. 1						1	
11		17771056		PASSAGE CABLE ASM. 2						1	
12		17771155		DETECT CABLE ASM.						1	
13		17771254		DETECT CABLE ASM.						1	
14	D	17771551		SET DETECT ASM.						1	
15	D	17771650		DETECT CABLE ASM.						1	
16	D	17771759		SENSOR CABLE ASM.						1	
17		17771858		SENROR CABLE ASM.						1	
18		17771957		START SWITCH CABLE ASM.						1	
19		17772054		AIR PRESSURE SWITCH CABLE ASM.						1	
20		17772153		SOLENOID VALVE CABLE						1	
21		17772559		SOLENOID VALVE CABLE ASM.						1	
22		17772658		SOLENOID VALVE CABLE ASM.						1	
23		17772757		SOLENOID VALVE CABLE ASM.						1	
24		17772955		SOLENOID VALVE CABLE						1	
25		17773052		SOLENOID VALVE CABLE ASM.						1	
26		17773151		SOLENOID VALVE CABLE ASM.						1	
27		17773250		SOLENOID VALVE CABLE ASM.						1	
28		17773458		SOLENOID VALVE CABLE ASM.						1	
29		17762956		TRUNKING CABLE ASM.						1	
30		17763152		CONTROL CABLE ASM. 2						1	
31		17763756		TRUNKING CABLE ASM.						1	
32		17763855		POWER SOURCE CABLE ASM.						1	
33		17764358		FG CABLE ASM. 1						1	
34		17764457		FG CABLE ASM. 2						1	
35		17767153		POWER SOURCE CABLE ASM.						1	
36		17767450		RELAY CABLE ASM. 1						1	
37		17767559		POWER SOURCE CABLE ASM.						1	
38		17767658		POWER SOURCE CABLE ASM.						1	
39		17767757		FG CABLE ASM.						1	
40		17767856		RELAY CABLE ASM. 2						1	
41		17767955		BOARD CABLE ASM.						1	
42		17768052		PEDAL CABLE ASM.						1	
43		17768359		GND TRUNKING CABLE ASM.						1	
44		17769159		X-Y CONTROL CABLE ASM.						1	
45		17769258		CONTROL CABLE ASM. 1						1	
46		17769357		SPEED CONTROL CABLE ASM.						1	

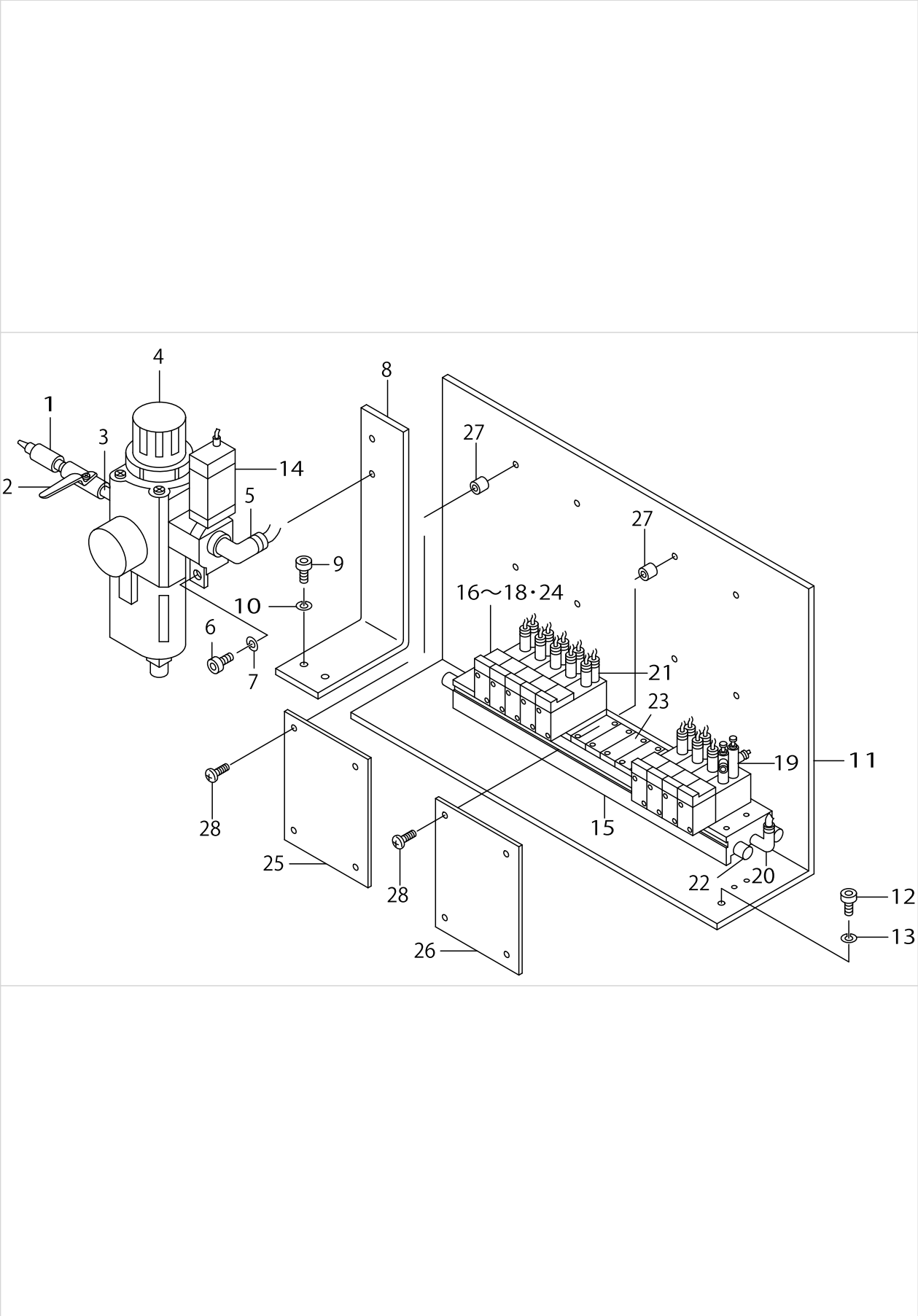
CABLE COMPONENTS



CABLE COMPONENTS

No.	Supply Code	Parts No.	Replacement	Parts name	Remarks	Choice	Step	Level	Cons	Qty	Rep. QTY
47		17769456		EMERGENCY STOP CABLE ASM.						1	
48		17769951		TRUNKING CABLE ASM.						1	
49		17764556		CONTROL FG CABLE ASM.						1	
50	D	16517559		INPUT CIRCUIT BOARD CABLE ASM.						1	
51		16517658		OUTPUT CIRCUIT BOARD CABLE ASM						1	

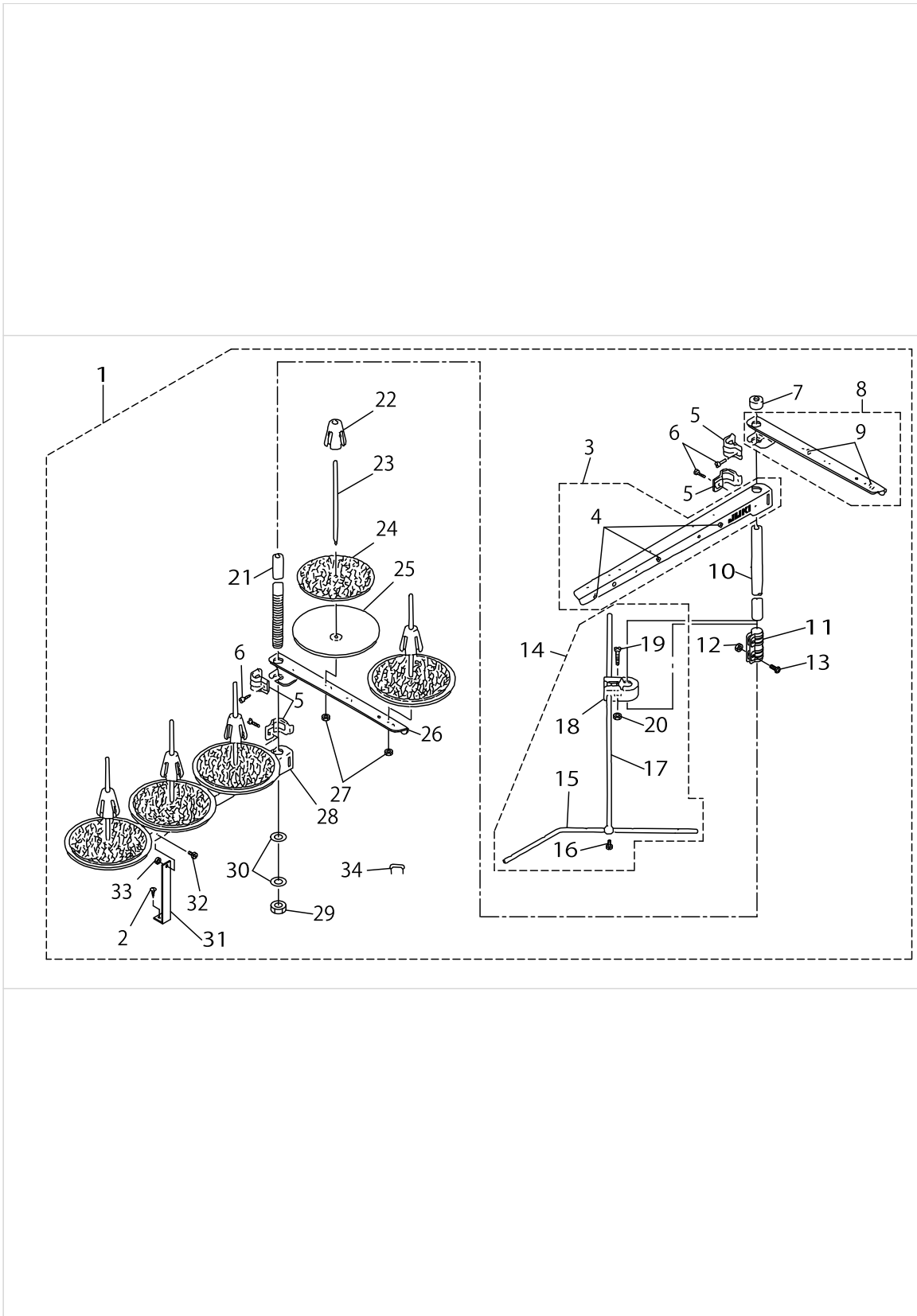
PNEUMATIC COMPONENTS



PNEUMATIC COMPONENTS

No.	Supply Code	Parts No.	Replacement	Parts name	Remarks	Choice	Step	Level	Cons	Qty	Rep. QTY
1	D	G6815150000		QUICK COUPLER						1	
2	R	G5430116000	40030951	AIR COCK						1	1.00
3		PJ030520003		1/4 NIPPLE						1	
4	D	PF0552130A0		AIR COMBINATION						1	
5		PJ304085201		ELBOW UNION 8XPT1/4						1	
6	R	SM6061552TP	SM6061552SP	SCREW M6 L=15						2	1.00
7		WS0610002KN		SPRING WASHER 6.1X12.2X1.5						2	
8		17780909		REGULATOR BRACKET						1	
9		SM6051202TP		SCREW M5X0.8 L=12						2	
10		WS0510002KN		SPRING WASHER						2	
11		17780800		SOLENOID VALVE I- NSTALLING BASE						1	
12		SM6051202TP		SCREW M5X0.8 L=12						3	
13		WS0510002KN		SPRING WASHER						3	
14		17772054		AIR PRESSURE SWI- TCH CABLE ASM.						1	
15		17798604		SOLENOID VALVE I- NSTALLING BASE						1	
16		PV150509000		5-WAY SOLENOID VALVE						7	
17		PV130508000		3-WAY SOLENOID VALVE						1	
18		PV130509000		5-WAY SOLENOID VALVE						3	
19		PF070501000		PRESSURE DECREASING VALVE						2	
20		PJ304085101		ELBOW UNION						1	
21		PJ301040502		HALF UNION 4XM5						17	
22		G5496116A00		SILENCER						4	
23	D	16726200		PLATE						5	
24		16726101		ADAPTER						4	
25		16450454		INPUT TERMINAL BASE ASM.						1	
26		16450355		OUTPUT TERMINAL BASE ASM.						1	
27		17779109		SUPPORT						8	
28		SM4042001SR		SCREW M4 L=20						8	

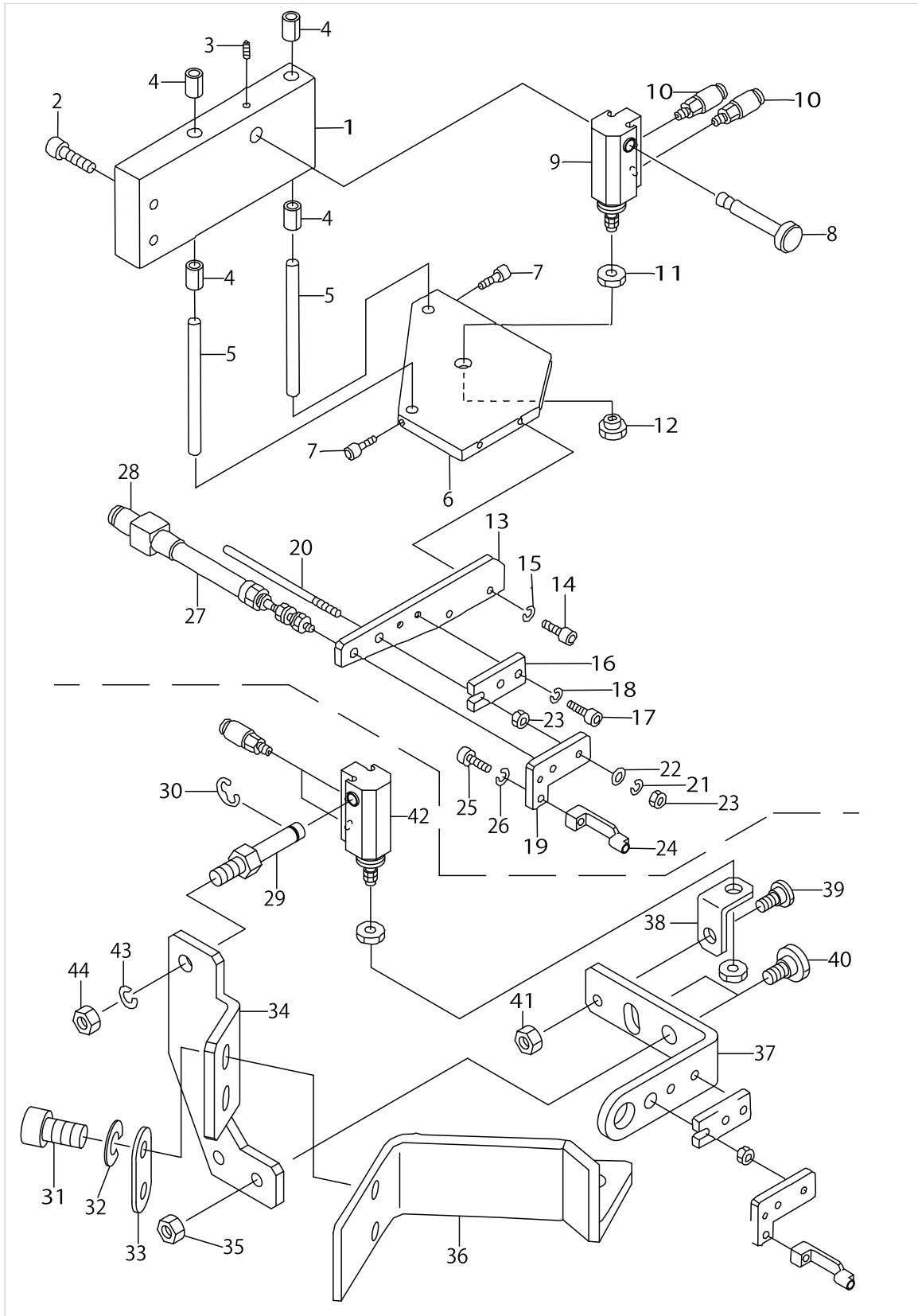
THREAD STAND UNIT COMPONENTS



THREAD STAND UNIT COMPONENTS

No.	Supply Code	Parts No.	Replacement	Parts name	Remarks	Choice	Step	Level	Cons	Qty	Rep. QTY
1	R	11969557	40106585	THREAD STANDING DEVICE ASM.						1	1.00
2		SK3382001SE		SCREW D=3.8 L=20				*		1	
3	D	11969565		SPOOL REST ARM A ASM.				*		1	
4	R	B3319704L00	22931208	THREAD GUIDE				*		3	1.00
5		B3318704L00A		THREAD GUIDE ARM JOINT				*		4	
6		SM6061610SC		SCREW M6 L=16				*		4	
7	R	B3311704000	22931406	SPOOL REST ROD CAP				*		1	1.00
8	D	11969466		THREAD GUIDE ARM B ASM.				*		1	
9	R	B3319704L00	22931208	THREAD GUIDE				*		2	1.00
10	R	11185204	40096354	SPOOL REST ROD UPPER				*		1	1.00
11	R	B3305704000A	40096354	SPOOL REST ROD JOINT				*		1	1.00
12		NM6050001SE		NUT M5				*		2	
13		SM4051405SE		SCREW M5 L=14				*		2	
14	R	B33097040A0	26910059	THREAD GUIDE ARM ASM.				*		1	1.00
15	R	B3311804000	26910059	LOWER THREAD GUIDE				*		1	1.00
16		SS7110540SP		SCREW 11/64-40 L=5				*		1	
17	R	B3309704000	26910059	THREAD GUIDE ARM				*		1	1.00
18	D	B3304704000A		THREAD GUIDE ARM HOLDER				*		1	
19	D	SM6053000SE		SCREW M5X0.8 L=30				*		1	
20		NM6050001SE		NUT M5				*		1	
21	R	11185105	40096354	SPOOL REST ROD LOWER				*		1	1.00
22	D	11185501		SPOOL RETAINER				*		5	
23	R	B3320704L00A	40085790	SPOOL PIN				*		5	1.00
24	D	B3311012000		SPOOL REST CUSHION				*		5	
25	R	11966504	22930804	SPOOL REST				*		5	1.00
26	D	11969409		THREADGUIDEARMB				*		1	
27		NM6050001SE		NUT M5				*		5	
28	R	11969508	13168802	SPOOL REST ARM A				*		1	1.00
29	R	B3317704000	NM6160511SE	NUT				*		1	1.00
30		WP1612616SE		WASHER 16X30X2.6				*		2	
31		B3321704L00		SPOOL REST ARM SUPPORT A				*		1	
32		SM4061201SE		SCREW M6 L=12				*		1	
33		NM6060001SE		NUT M6				*		1	
34		MAO11532000		CORD STAPLE				*		3	

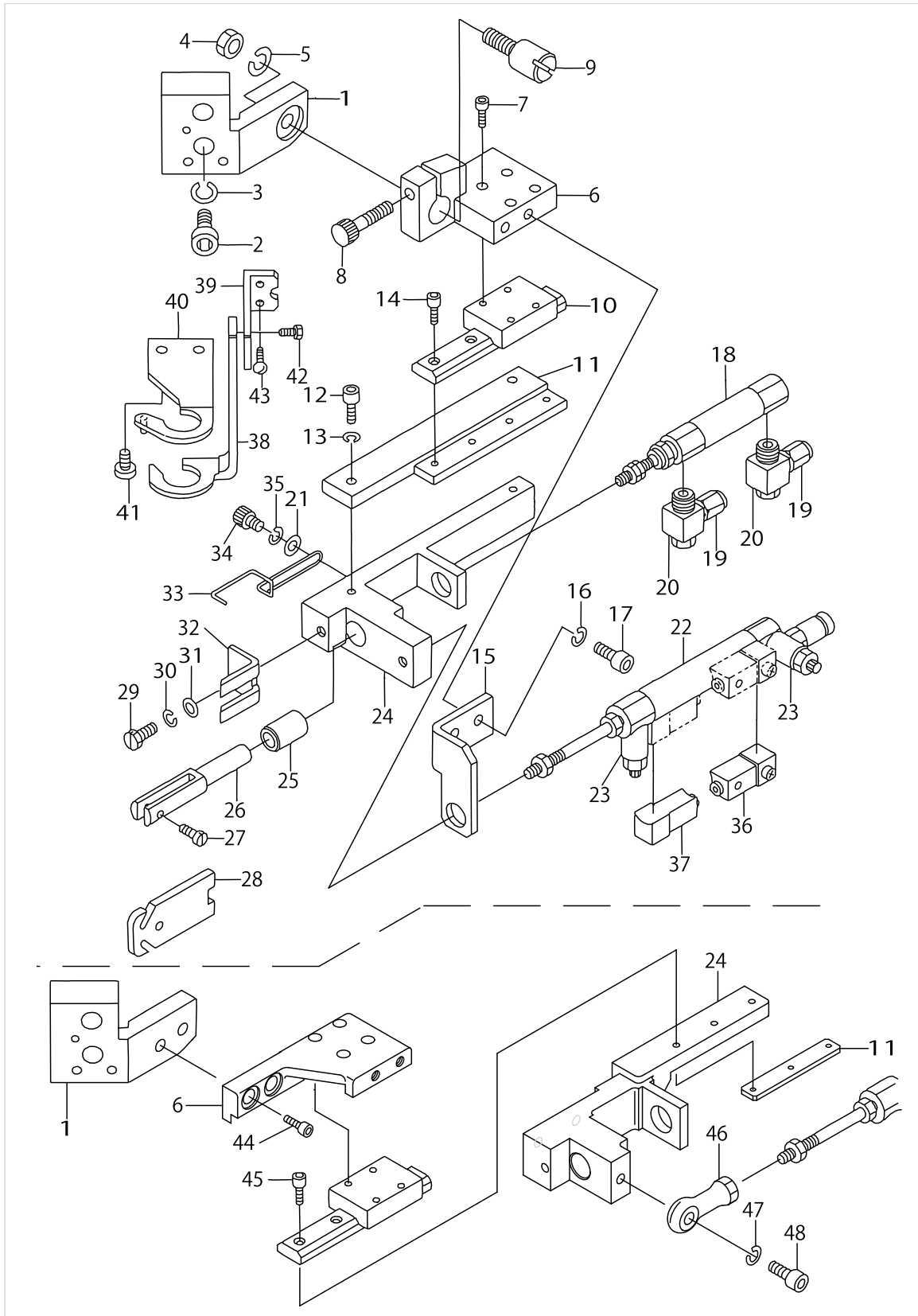
THREADING UNIT COMPONENTS (FOR 340N-1)



THREADING UNIT COMPONENTS (FOR 340N-1)

No.	Supply Code	Parts No.	Replacement	Parts name	Remarks	Choice	Step	Level	Cons	Qty	Rep. QTY
1		G5587340000		GUIDE BLOCK						1	
2		SM6041802TP		SCREW M4 L=18						2	
3		SM8051002TP		SCREW M5 L=10						1	
4	D	G5595340000		METAL						4	
5	D	G5588340000		GUIDE SHAFT						2	
6		G5590340000		GUIDE PLATE						1	
7		SM6031002TP		HEXAGONAL BOLT M3 X 10						2	
8	D	G5589340000		PIN						1	
9		PA1500504A0		AIR CYLINDER						1	
10		PJ301040502		HALF UNION 4XM5						2	
11	D	G5594340000		NUT 2						1	
12	D	G5593340000		NUT 1						1	
13	D	G5591340000		CYLINDER BRACKET						1	
14		SM6031002TP		HEXAGONAL BOLT M3 X 10						2	
15		WS0310002KN		SPRING WASHER M3						2	
16		G5557340000A		GUIDE PLATE						1	
17		SM6031002TP		HEXAGONAL BOLT M3 X 10						2	
18		WS0310002KN		SPRING WASHER M3						2	
19		G5592340000A		GUIDE BASE						1	
20	D	G5558340000A		GUIDE PIN						1	
21		WS0310002KN		SPRING WASHER M3						1	
22		WP0320500SC		WASHER M3						1	
23		NM6030001SC		NUT M3						2	
24	D	17787300		THREAD GUIDE						1	
25		SM6031002TP		HEXAGONAL BOLT M3 X 10						1	
26		WS0310002KN		SPRING WASHER M3						1	
27		PA100102000		AIR CYLINDER						1	
28		PJ301040502		HALF UNION 4XM5						1	

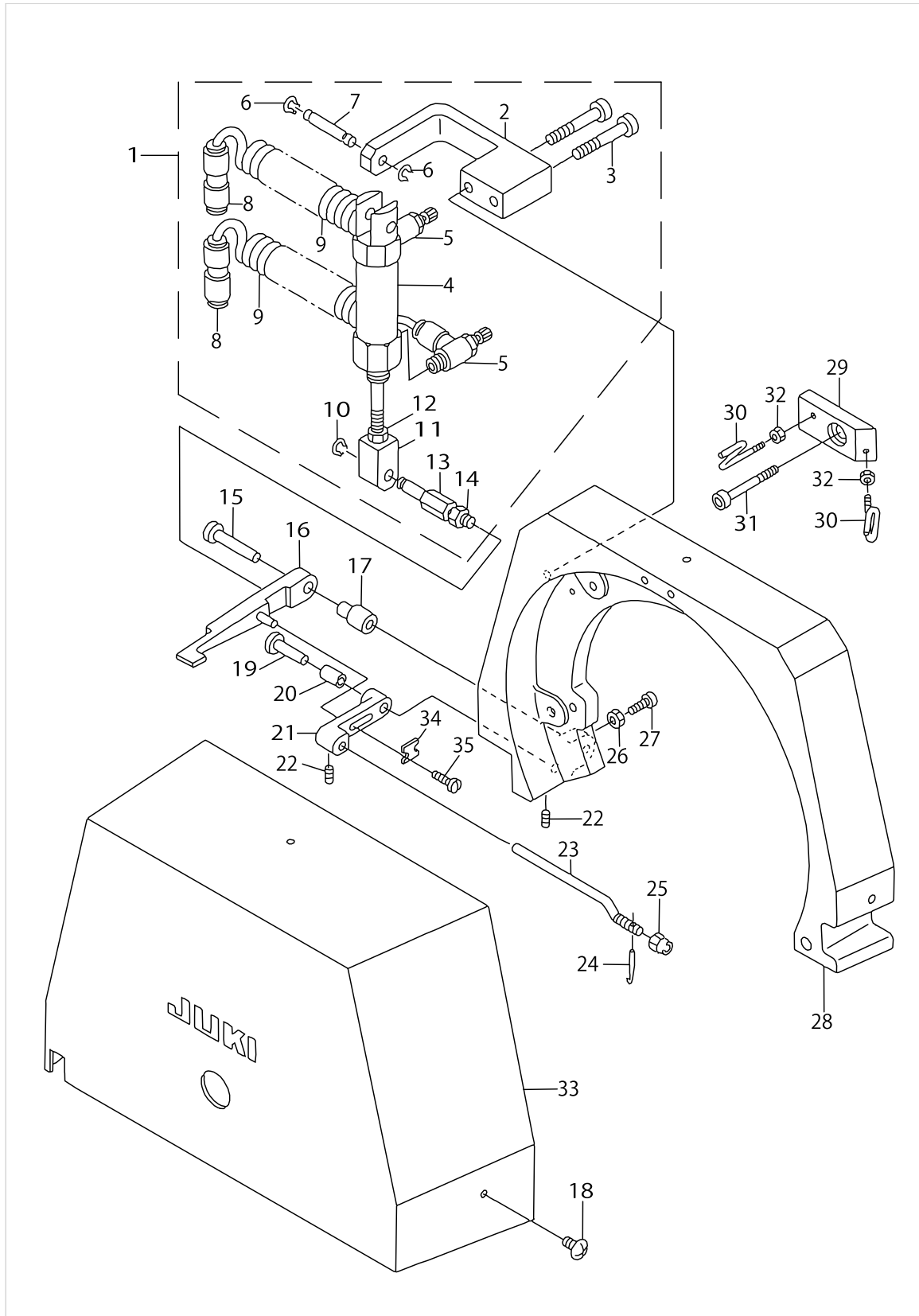
THREAD TRIMMER COMPONENTS (FOR 340N-1)



THREAD TRIMMER COMPONENTS (FOR 340N-1)

No.	Supply Code	Parts No.	Replacement	Parts name	Remarks	Choice	Step	Level	Cons	Qty	Rep. QTY
1		G5568340000		PIVOT BRACKET						1	
2		SM6052002TP		SCREW M5 L=20						2	
3		WS0510002KN		SPRING WASHER						2	
4		NM6060001SC		NUT M6						1	
5		WS0610002KN		SPRING WASHER 6.1X12.2X1.5						1	
6		G5569340000		SCISSORS MOUNTING BRACKET						1	
7		SM6020752TP		SCREW						4	
8		SM6052002TP		SCREW M5 L=20						1	
9		G5571340000		PIVOT PIN						1	
10	D	G5574340000		GUIDE BLOCK						1	
11		G5573340000		RAIL BASE						1	
12		SM6030802TP		SCREW M3X0.5 L=8						2	
13		WS0310002KN		SPRING WASHER M3						2	
14		SM6020502TN		SCREW M2 L=5						3	
15	D	G5576340000		CYLINDER BRACKET A						1	
16		WS0410002KN		SPRING WASHER						2	
17		SM6041002TP		SCREW M4 L=10						2	
18		PA160050400		AIR CYLINDER						1	
19		PJ301040502		HALF UNION 4XM5						2	
20		G5680116000		UNIVERSAL ELBOW						2	
21		WP0430800SC		WASHER M4						2	
22	D	PA1003502A0		AIR CYLINDER						1	
23		PC010508000		SPEED CONTROLLER						2	
24	D	G5575340000		GUIDE BRACKET						1	
25		G5570340000		BUSHING B						1	
26	D	G5572340000		KNIFE BAR						1	
27		SS6090810SP		SCREW 9/64-40 L=7.5						1	
28	D	G5626116000		NEEDLE THREAD RELEASE JOINT						1	
29		SS9091010SP		SCREW 9/64-40 L=10						1	
30		WS0410002KN		SPRING WASHER						1	
31		WP0450000SD		WASHER 4.5X8X0.5						1	
32		G5630116000		NEEDLE THREAD COUNTER KNIFE						1	
33		G5577340000		THREAD HOOK						1	
34		SM6040602TP		SCREW M4 L=6						2	
35		WS0610002KN		SPRING WASHER 6.1X12.2X1.5						2	
36		17771452		DETECT CABLE ASM.						1	
37	D	17771353		DETECT CABLE ASM.						1	
38	D	17794801		TENSION PLATE LOWER						1	
39	D	17794900		INSTALLING PLATE						1	
40	D	G5578340000		TENSION PLATE UPPER						1	
41		SM6041002TP		SCREW M4 L=10						2	
42		SS9090640SP		SCREW 9/64-40 L=6						2	
43		SS4091010SP		SCREW 9/64-40 L=10						2	

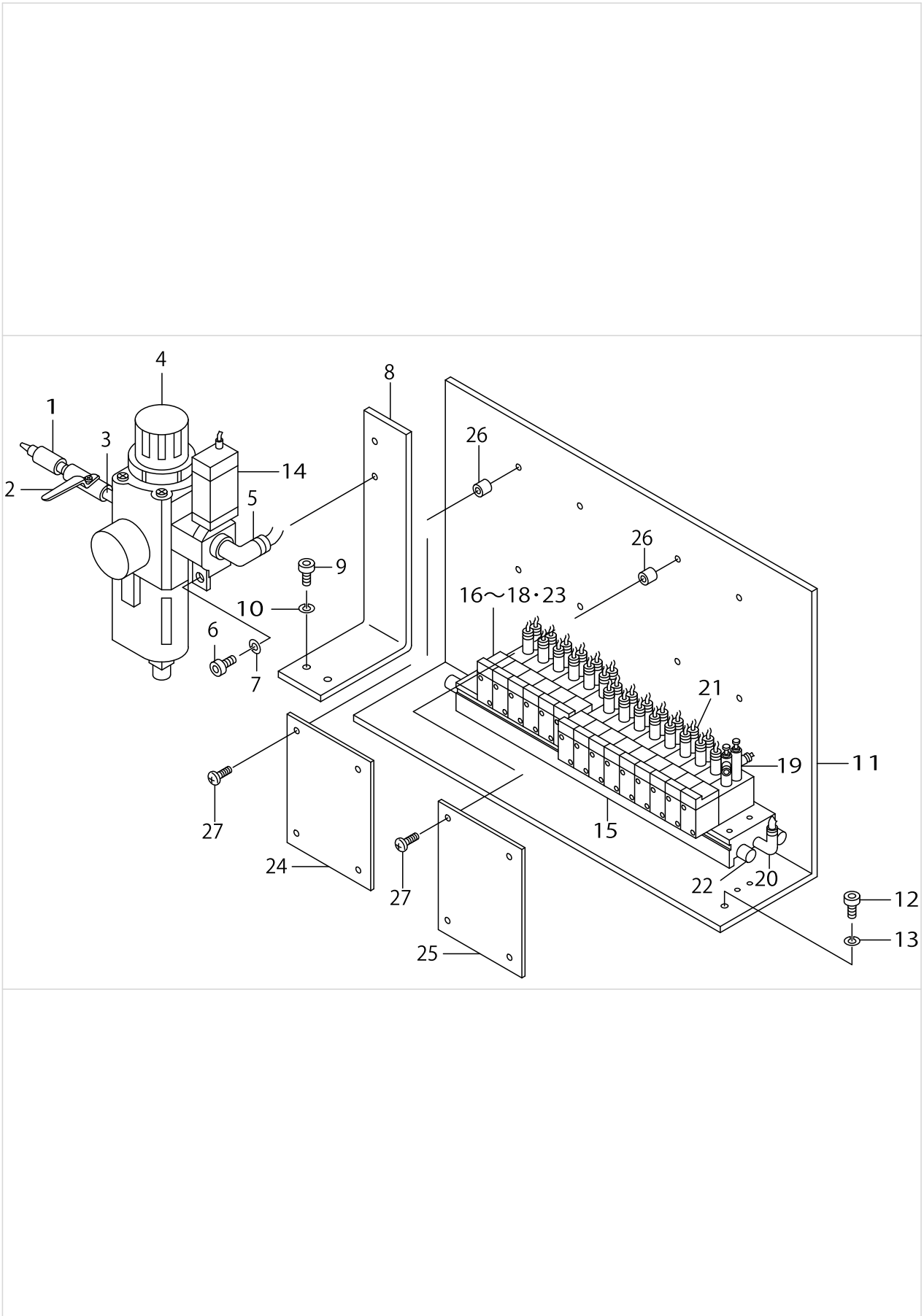
CYLTHREADING INDER COMPONENTS (FOR 340N-1)



CYLTHREADING INDER COMPONENTS (FOR 340N-1)

No.	Supply Code	Parts No.	Replacement	Parts name	Remarks	Choice	Step	Level	Cons	Qty	Rep. QTY
1		G55603400A0		THREADER CYLINDER UNIT						1	
2		G5560340000		CYLINDER BRACKET B				*		1	
3		SM6053502TP		BOLT				*		2	
4		PA1601512A0		AIR CYLINDER				*		1	
5		PC010508000		SPEED CONTROLLER				*		2	
6		RC0560711KP		RETAINING RING				*		2	
7	D	16752909		SPACER PIN				*		1	
8		PJ304040001		ELBOW				*		2	
9		G5582340000		COIL TUBE				*		2	
10	D	G5359340000		SENSOR BRACKET				*		1	
11	D	G5561340000		KNUCKLE JOINT				*		1	
12		NM6050001SC		NUT M5				*		1	
13	R	G5562340000	16752909	SPACER PIN				*		1	1.00
14		NM6050001SC		NUT M5				*		1	
15	D	G5318340000		SHAFT B						1	
16		G5316340000		THREADING ARM						1	
17	D	G5317340000		METAL 8						1	
18		SM0050801SC		SCREW						3	
19	D	G5321340000		PIVOT SHAFT						1	
20	D	G5320340000		METAL						1	
21		G5319340000		FEEDER ARM						1	
22		SM8040602TP		SCREW M4X0.7 L=6						2	
23	D	17785601		THREADING BAR						1	
24	D	G5323340000		THREADING NEEDLE						1	
25	D	G5324340000		LOCK NUT						1	
26		NM6040001SC		NUT M4						1	
27		SM6042502TP		SCREW M4X0.7 L=25						1	
28		G5301340000		LOOPER COVER BASE						1	
29		G5565340000		ARM THREAD GUIDE BASE						1	
30		B1121512000		FRAME THREAD GUIDE						2	
31		SM6061202TP		SCREW M6 L=12						1	
32		NS6060310SP		NUT 3/32-56						2	
33		17785908		LOOPER COVER						1	
34		17777905		LEVER STOPPER						1	
35	D	SS7080820SP		SCREW 1/8-44 L=7.7						2	

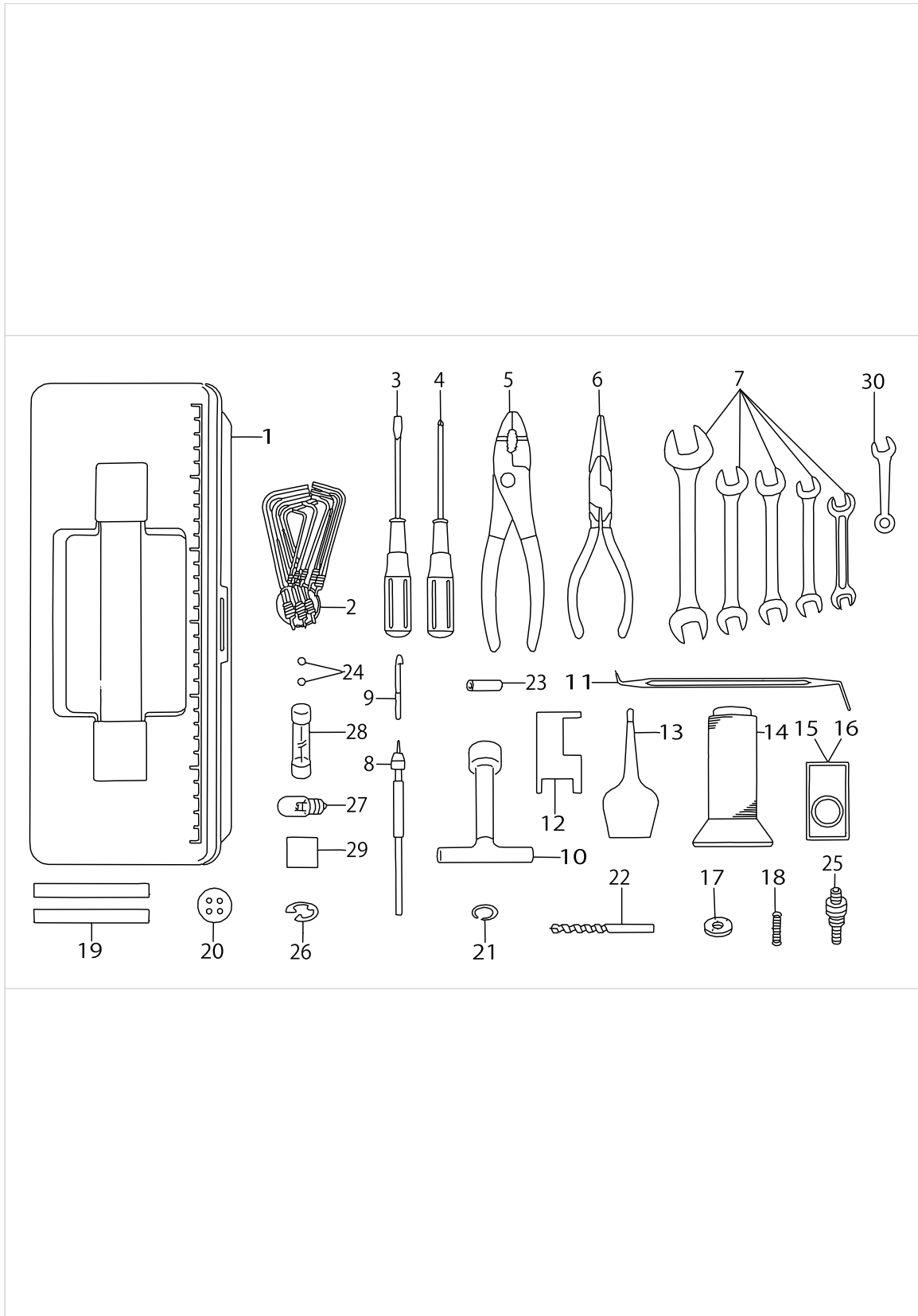
PNEUMATIC COMPONENTS (FOR 340N-1)



PNEUMATIC COMPONENTS (FOR 340N-1)

No.	Supply Code	Parts No.	Replacement	Parts name	Remarks	Choice	Step	Level	Cons	Qty	Rep. QTY
1	D	G6815150000		QUICK COUPLER						1	
2	R	G5430116000	40030951	AIR COCK						1	1.00
3		PJ030520003		1/4 NIPPLE						1	
4	D	PF0552130A0		AIR COMBINATION						1	
5		PJ301085201		HALF UNION						1	
6	R	SM6061552TP	SM6061552SP	SCREW M6 L=15						2	1.00
7		WS0610002KN		SPRING WASHER 6.1X12.2X1.5						2	
8		17780909		REGULATOR BRACKET						1	
9		SM6051202TP		SCREW M5X0.8 L=12						2	
10		WS0510002KN		SPRING WASHER						2	
11		17780800		SOLENOID VALVE I- NSTALLING BASE						1	
12		SM6051202TP		SCREW M5X0.8 L=12						3	
13		WS0510002KN		SPRING WASHER						3	
14		17772054		AIR PRESSURE SWI- TCH CABLE ASM.						1	
15		17798604		SOLENOID VALVE I- NSTALLING BASE						1	
16		PV150509000		5-WAY SOLENOID VALVE						11	
17		PV130508000		3-WAY SOLENOID VALVE						1	
18		PV130509000		5-WAY SOLENOID VALVE						4	
19		PF070501000		PRESSURE DECREASING VALVE						2	
20		PJ304085101		ELBOW UNION						1	
21		PJ301040502		HALF UNION 4XM5						26	
22		G5496116A00		SILENCER						4	
23		16726101		ADAPTER						6	
24		16450454		INPUT TERMINAL BASE ASM.						1	
25		16450355		OUTPUT TERMINAL BASE ASM.						1	
26		17779109		SUPPORT						8	
27		SM4042001SR		SCREW M4 L=20						8	

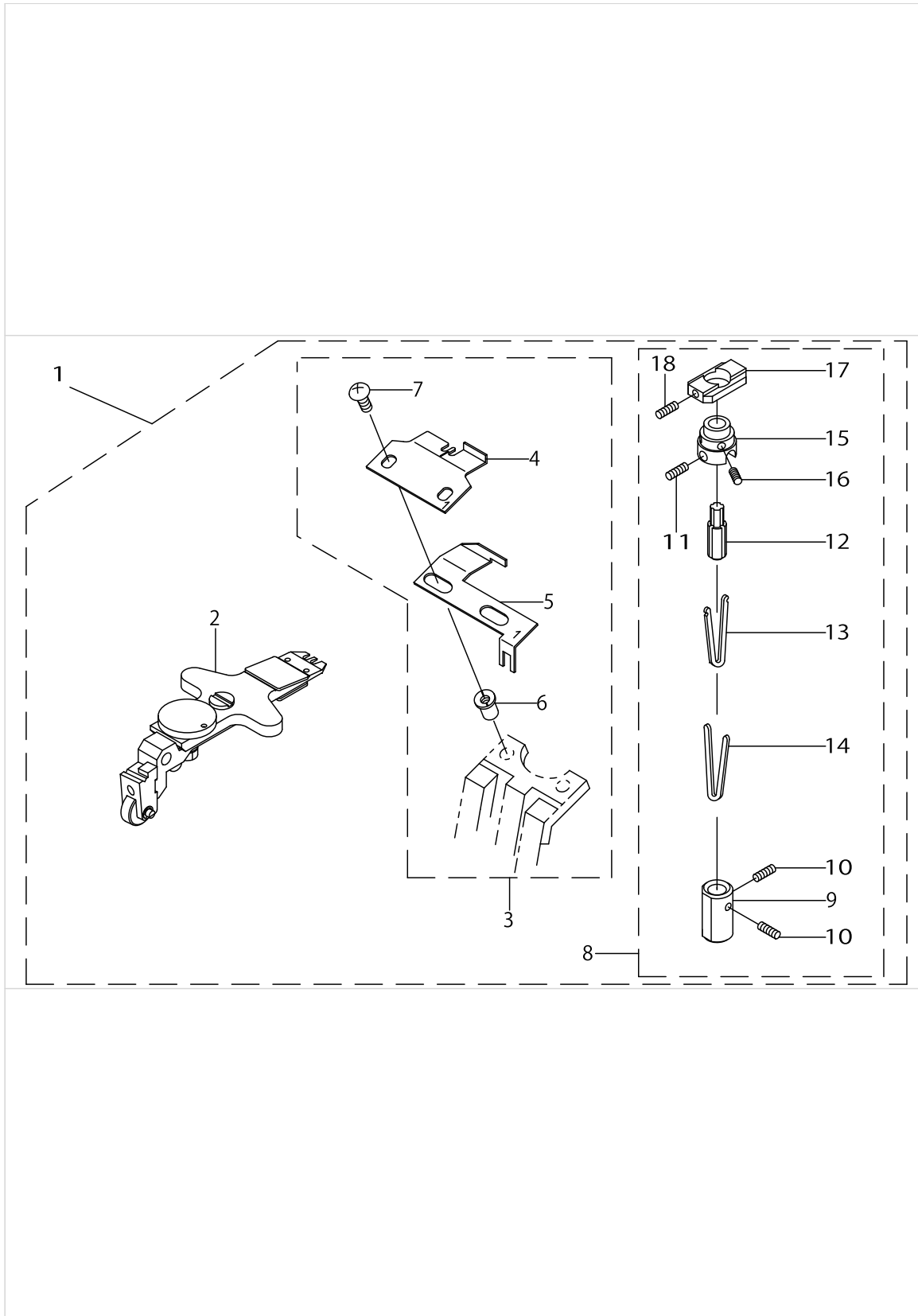
ACCESSORIES COMPONENTS



ACCESSORIES COMPONENTS

No.	Supply Code	Parts No.	Replacement	Parts name	Remarks	Choice	Step	Level	Cons	Qty	Rep. QTY
1		B8601WP10A0		TOOL BOX ASM.						1	
2		G91011160A0		L-SHAPED WRENCH ASM.						1	
3	R	B9110012000	22933105	SCREW DRIVER MIDDLE						1	1.00
4	D	G9119116000		DRIVER						1	
5	D	G5701340000		PLIER						1	
6	D	G5702340000		CUTTING PLIERS						1	
7		G91201160A0		SPANNER ASM.						1	
8	D	G5704340000		THREADING HOLDER						1	
9	D	G5323340000		THREADING NEEDLE						4	
10		16757106		WRENCH						1	
11		G5258340000		BUTTON HOOK						1	
12	D	G5709340000		NEEDLE BAR GAUGE						1	
13		A9102062BA0		OILER WITH OIL						1	
14		G5706340000		THREAD						1	
15	R	MDPN20A100T	MDPN20A1000	NEEDLE SET DPN-2000A38	FOR JAPAN					1	1.00
16		MC90100100T		NEEDLE SET 7877-40-2000A/38						1	
17	D	G5511340000		RUBBER WASHER						2	
18		G5506340000		STOP SPRING						4	
19		G5708340000		PIN						2	
20		G5707340000		BUTTON GAUGE						1	
21		G5513340000		RING						4	
22		17779802		DRILL (D=0.3)						1	
23		G5504340000		PIN						2	
24	D	G5542340000		STEEL BALL						2	
25		G5403139000		QUICK COUPLING						1	
26		RE0300000K0		E-RING 3						2	
27	D	HE000120000		LAMP						1	
28		E8523304000		FUSE 10A						2	
29		17776402		TONGS RUBBER						2	
30	D	25070103		SPANNER						1	

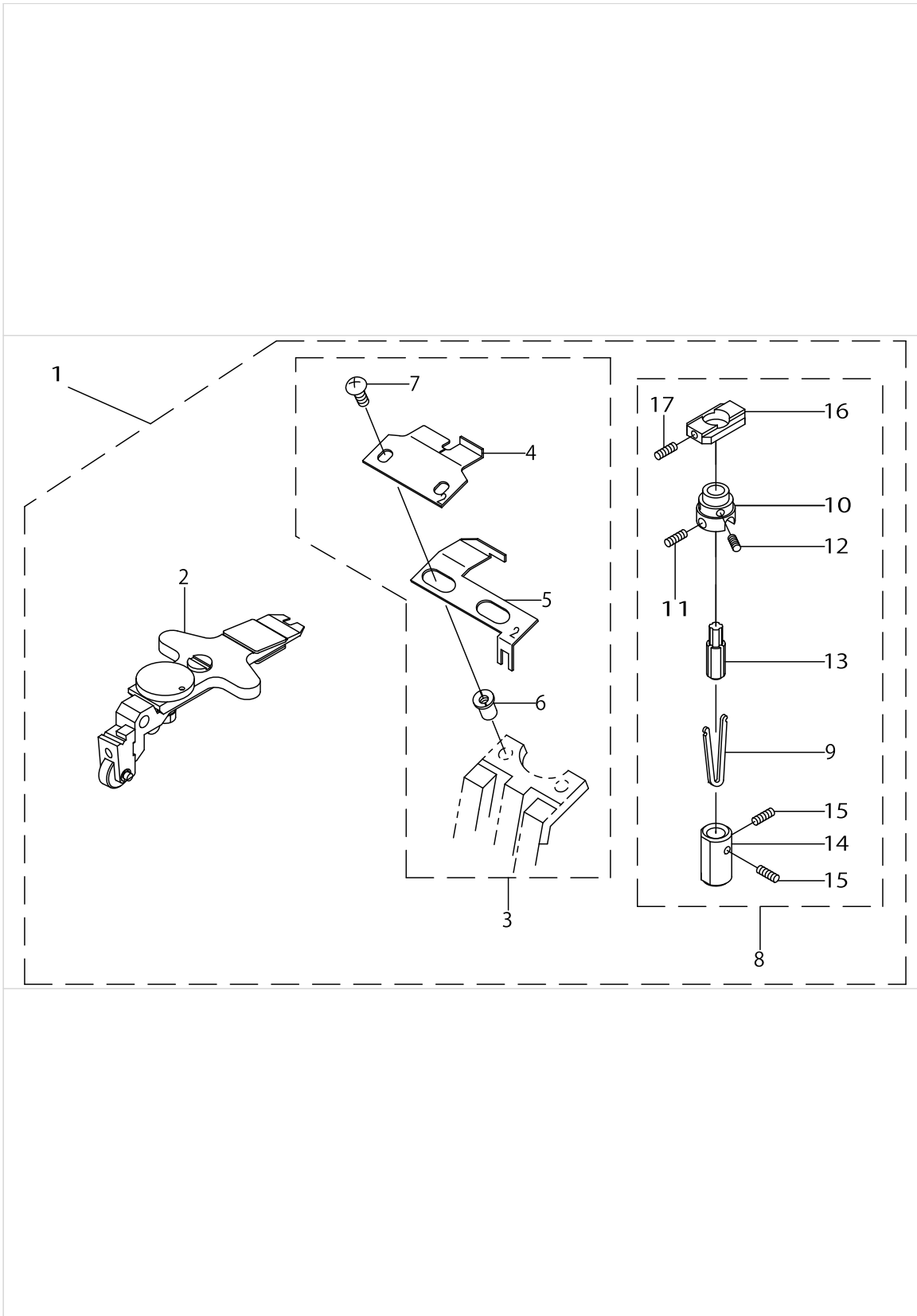
4-HOLED BUTTON ATTACHMENT (S151) COMPONENTS



4-HOLED BUTTON ATTACHMENT (S151) COMPONENTS

No.	Supply Code	Parts No.	Replacement	Parts name	Remarks	Choice	Step	Level	Cons	Qty	Rep. QTY
1		MAS151010A0A		ATTACHMENT 4 HOLE COUNT						1	
2		17788761		TONGS ASM.				*		1	
3		17791450		THROAT PLATE ASM.				*		1	
4		17791401		THROAT PLATE				*		1	
5		17777715		SLIDE THROAT PLATE (4 HOLE)				*		1	
6		18196808		ECCENTRIC BUSHING				*		2	
7	D	G5499340000		SCREW				*		2	
8	D	18196550		BUTTON HOLDER ASM.				*		1	
9		G5226340000		BOSS A				*		1	
10		SM8030502TP		SCREW M3 L=5				*		2	
11		SM8040602TP		SCREW M4X0.7 L=6				*		1	
12		G5227340000		BOSS B				*		1	
13		G5228340000		HOLDING PIN A				*		1	
14		G5229340000		HOLDING PIN B				*		1	
15		G5230340000		SPACER LINK				*		1	
16		SM8030502TP		SCREW M3 L=5				*		2	
17		G5265340000		BUTTON HOLDER CAP				*		1	
18		SM8030502TP		SCREW M3 L=5				*		1	

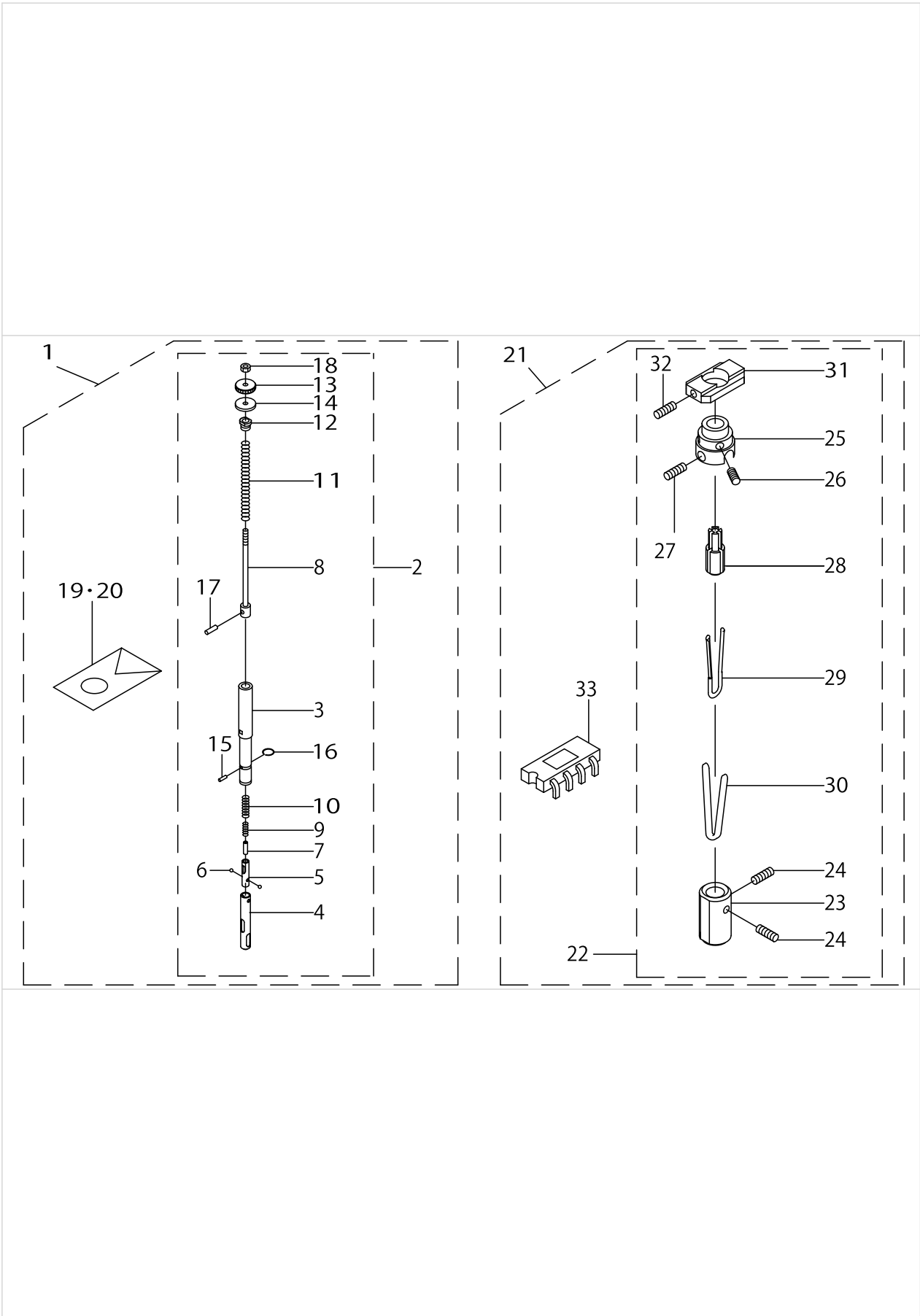
2-HOLED BUTTON ATTACHMENT (S152) COMPONENTS



2-HOLED BUTTON ATTACHMENT (S152) COMPONENTS

No.	Supply Code	Parts No.	Replacement	Parts name	Remarks	Choice	Step	Level	Cons	Qty	Rep. QTY
1		MAS152010A0A		ATTACHMENT 2 HO- LE COUNT ASM.						1	
2		17792052		TONGS ASM.				*		1	
3	D	17792151		THROAT PLATE ASM.				*		1	
4	D	17792102		THROAT PLATE				*		1	
5		17792219		SLIDE THROAT PLATE(2 HOLE)				*		1	
6		18196808		ECCENTRIC BUSHING						1	
7	D	G5499340000		SCREW				*		2	
8		18195156		BOTTON HOLDER ASM.				*		1	
9		G5228340000		HOLDING PIN A				*		1	
10		18195107		SPACER LINK				*		1	
11		SM8040602TP		SCREW M4X0.7 L=6				*		1	
12		SM8030502TP		SCREW M3 L=5				*		2	
13		G5227340000		BOSS B				*		1	
14		G5226340000		BOSS A				*		1	
15		SM8030502TP		SCREW M3 L=5				*		2	
16		G5265340000		BUTTON HOLDER CAP				*		1	
17		SM8030502TP		SCREW M3 L=5				*		1	

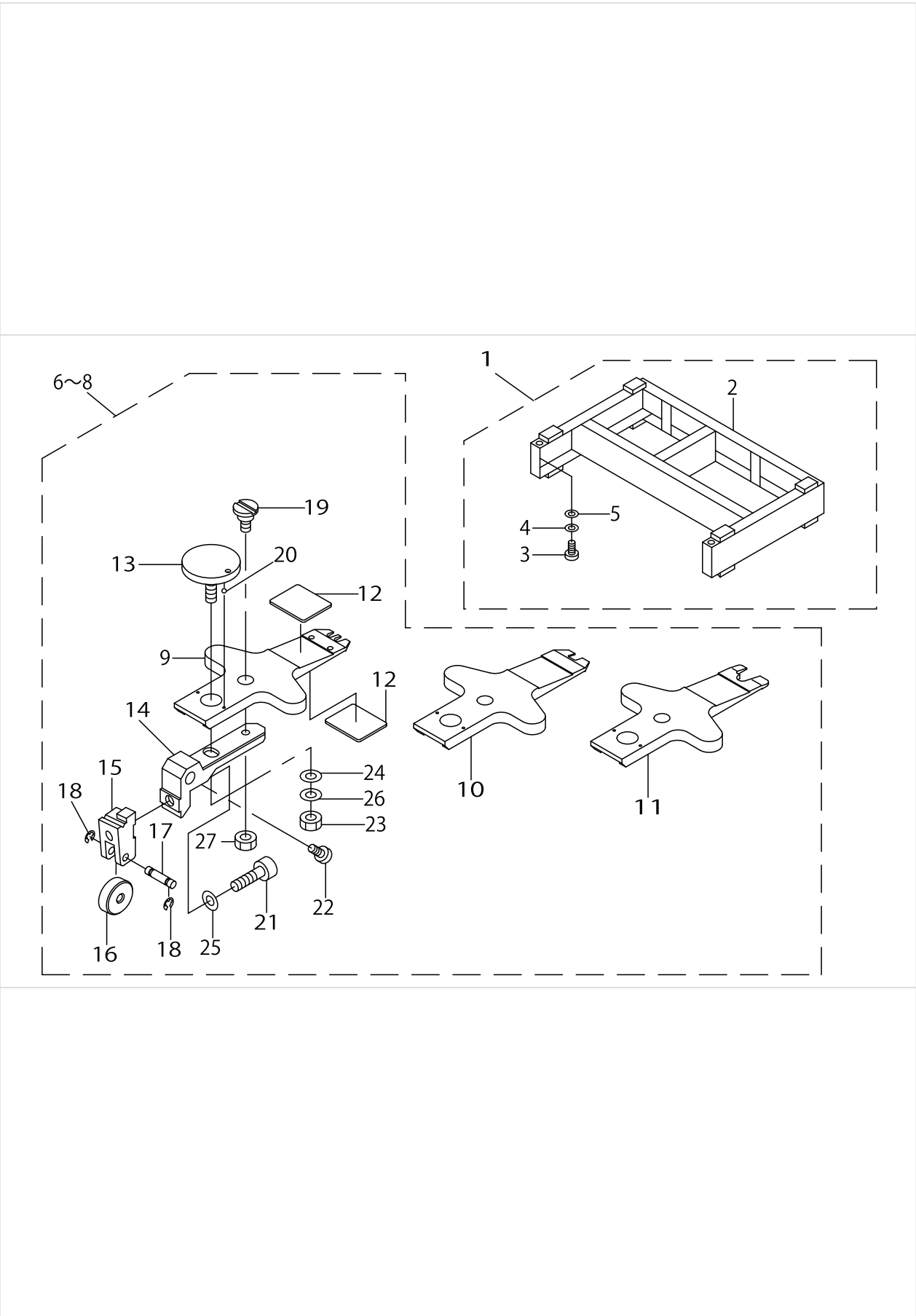
OPTIONAL PART COMPONENTS (1)



OPTIONAL PART COMPONENTS (1)

No.	Supply Code	Parts No.	Replacement	Parts name	Remarks	Choice	Step	Level	Cons	Qty	Rep. QTY
1		17795865		NEEDLE BAR #49 COMPL.						1	
2		17795857		NEEDLE ROD ASM.				*		2	
3		G5501340000		SUPPORT CYLINDER				*		2	
4		17795808		SUPPORT SLEEVE				*		2	
5	D	G5503340000		STEEL BALL HOLDER				*		2	
6	D	G5542340000		STEEL BALL				*		4	
7		G5504340000		PIN				*		2	
8	D	G5505340000		SUPPORT SLEEVE ROD				*		2	
9		G5506340000		STOP SPRING				*		2	
10		G5507340000		LOCK SPRING				*		2	
11	D	G5508340000		BAR SPRING				*		2	
12		G5509340000		BOLT				*		2	
13		18195909		NEEDLE BAR				*		2	
14	D	G5511340000		RUBBER WASHER				*		2	
15	D	G5512340000		STOP PIN				*		2	
16		G5513340000		RING				*		2	
17		G5514340000		PIN				*		2	
18	D	G5515340000		NUT				*		2	
19	D	MDPN20B1150		NEEDLE DPN-2000A/49	SELECTIVE PARTS(FOR JAPAN)			*		1	
20	D	MC901001150		NEEDLE 2000A/49				*		1	
21	D	18195560		HOLDER COMPL.						1	
22		18195552		HOLDER ASM.				*		1	
23		18195206		BOSS C				*		1	
24		SM8030502TP		SCREW M3 L=5				*		2	
25		18195305		SPACER LINK				*		1	
26		SM8030502TP		SCREW M3 L=5				*		4	
27		SM8040602TP		SCREW M4X0.7 L=6				*		1	
28		18195404		BOSS D				*		1	
29		18195503		HOLDING PIN C				*		1	
30		18195602		HOLDING PIN D				*		1	
31		G5265340000		BUTTON HOLDER CAP				*		1	
32		SM8030502TP		SCREW M3 L=5				*		1	
33		HL007170334		IC				*		1	

OPTIONAL PART COMPONENTS (2)



OPTIONAL PART COMPONENTS (2)

No.	Supply Code	Parts No.	Replacement	Parts name	Remarks	Choice	Step	Level	Cons	Qty	Rep. QTY
1		18196659		TABLE STAND ASM.						1	
2	R	G5034340000	G50343400A0	STAND ASM.				*		1	1.00
3	D	SM6123002TP		SCREW M12 L=30				*		4	
4	R	WS1220002KN	WS1220002KP	SPRING WASHER				*		4	1.00
5		WP1302501SC		WASHER 13X24X2.5				*		4	
6	R	18196253	18196261	TANG ASM.	FOR 4-HO- LED BUTTON					1	1.00
7	D	18196451		AUXILIARY TONGS ASM. (2 HOLE)						1	
8	R	18196352	18196360	AUXILIARY TONGS METAL ASM.						1	1.00
9	R	18196204	18196261	AUXILIARY TONGS	FOR 4-HO- LED BUTTON			*		1	1.00
10		18196402		AUXILIARY TONGS				*		1	
11		18196303		AUXILIARY TONGS METAL				*		1	
12		17776402		TONGS RUBBER				*		2	
13	D	18196105		AUXILIARY TONGS ADJUSTING CAM				*		1	
14		18196006		AUXILIARY TONGS BASE				*		1	
15	D	17776006		TONGS CHANGING CAM				*		1	
16	D	17776501		TONGS CHANGING CAM				*		1	
17		G5473340000		ROLLER SHAFT				*		1	
18		RE0200000K0		E-RING				*		2	
19		SD0450211SP		HINGE SCREW D=4.50 H=2.1				*		1	
20		17779505		STEEL BALL				*		2	
21		SM6041002TP		SCREW M4 L=10				*		1	
22		SM6030602TP		SCREW M3X0.5 L=6				*		1	
23		17798406		U NUT				*		1	
24		WZ0430200KH		WAVED WASHER				*		1	
25		WP0430800SC		WASHER M4				*		1	
26		WP0430801SC		WASHER 4.3X9X0.8				*		1	

LIST FOR INFORMATION OF CHANGE

As to the place changed, refer to the corresponding Rev.No.
 When previous parts(Obsoleted part)and new parts(Added parts)are not interchangeable with each other:
 In this case,even obsoleted parts(D.)can be ordered with the obsoleted part number,so select the parts with changed dates and place your orders.

変更箇所は、該当Rev.No.版をご参照ください。
 部品の互換性がない変更の場合は、削除された品番でも、ご注文できます。

290947037
 No.0770-03 Rev.No.

*A:Added parts追加部品/D:Obsoleted parts削除部品/E:Erratum訂正

* Rev. No.	Page No.	Ref. No.	Parts No. 品番	* Rev. No.	Page No.	Ref. No.	Parts No. 品番
D 02	4	2	SM-6102002-TP	A 03	4	2	SM-6041602-TP
D 02	4	3	WS-1002560-KR	A 03	4	3	WS-0410002-KN
D 02	4	4	177-83507	A 03	4	4	181-99406
D 02	22	15	177-98208	A 03	22	15	181-99703
D 02	22	16	177-86609	A 03	22	16	181-99505
D 02	40	9	PA-1501006-A0	A 03	40	9	PA-1500504-A0
D 02	47	1	MAS-151010A0	A 03	47	1	MAS-151010A0-A
D 02	47	5	177-77707	A 03	47	5	177-77715
D 02	48	1	MAS-152010A0	A 03	48	1	MAS-152010A0-A
D 02	48	5	177-92201	A 03	48	5	177-92219
D 03	48	6	177-91104	A 03	48	6	181-96808
D 02	49	1	MAS-153010A0	A 03	49	1	MAS-153010A0-A
D 02	49	5	181-95800				

HOW TO MAKE USE OF THIS PARTS LIST

1.Explanation of codes

1)"*"mark.....means this part is changed from the previous parts book.

As to the details of the change, refer to the "List for information of change".

2)"#01".....refer to "Note" explanation at bottom of page.

2.Codes on the "Qty" column

- Each numeral indicates the number of parts required.
- "0.1" and "2.5" indicate the length (in meters) of the respective parts.

3.Parentheses mean that the corresponding part is a subpart that constructs an assembly part.

4.Dotted lines on the Figures indicate assembly parts.

1."注記"欄の記号説明

1) "*"印.....前回のパーツブックに比較して今回変更された部品を意味します。

変更内容は、"変更情報リスト"を参照してください。

2) "#01".....ページ下の"注記"の説明を参照してください。

2.数量欄の数字は、個数を表し、0.1、2.5等の数値は、長さ（単位メートル）を表します。

3.数量欄の（ ）は、組部品を構成している子部品であることを意味します。

4.イラストページの-----枠は、組構成であることを意味します。

NUMERICAL INDEX OF PARTS

PART NO	PAGE	REF NO.	PART NO	PAGE	REF NO.	PART NO	PAGE	REF NO.
11159001	10	47	17767450	64	36	17771650	32	65
11185105	70	21	17767559	64	37	17771650	64	15
11185204	70	10	17767658	64	38	17771759	36	30
11185501	70	22	17767757	64	39	17771759	64	16
11966504	70	25	17767856	64	40	17771858	36	29
11969409	70	26	17767955	64	41	17771858	64	17
11969466	70	8	17768052	64	42	17771957	4	63
11969508	70	28	17768102	60	1	17771957	64	18
11969557	70	1	17768201	62	51	17772054	64	19
11969565	70	3	17768359	64	43	17772054	68	14
16450355	68	26	17768409	60	37	17772054	78	14
16450355	78	25	17768557	62	43	17772153	64	20
16450454	68	25	17768656	62	45	17772252	64	3
16450454	78	24	17768755	60	38	17772351	64	4
16517559	66	50	17768805	60	34·35	17772450	64	5
16517658	66	51	17768904	60	34·35	17772559	64	21
16520157	62	52	17769001	60	36	17772658	64	22
16541005	60	32	17769159	64	44	17772757	64	23
16541104	60	41	17769258	64	45	17772856	64	6
16541203	62	48	17769357	64	46	17772955	64	24
16542508	60	33	17769456	66	47	17773052	64	25
16721102	8	30	17769555	62	56	17773151	64	26
16726101	68	16~ 18·24	17769654	62	49	17773250	64	27
16726101	78	16~ 18·23	17769753	60	7	17773359	64	7
16726200	68	23	17769852	60	8	17773458	64	28
16748204	8	35	17769951	66	48	17773508	4	64
16749418	8	29	17770009	60	30	17773607	4	62
16752909	76	7	17770108	60	31	17773953	8	22·23
16756108	30	2	17770355	36	22	17773961	8	1·2
16757106	16	26	17770454	36	23	17774050	8	22·23
16757106	80	10	17770553	6	1	17774068	8	1·2
16781205	2	41	17770751	64	8	17776006	88	15
16870206	4	50	17770850	64	9	17776105	50	75
17762956	64	29	17770959	64	10	17776204	50	69
17763152	64	30	17771056	64	11	17776303	50	71
17763350	60	4	17771155	44	87	17776402	80	29
17763558	60	2	17771155	64	12	17776402	88	12
17763756	64	31	17771254	44	88	17776501	88	16
17763855	64	32	17771254	64	13	17776600	48	28
17764358	64	33	17771353	64	1	17776709	38	20
17764457	64	34	17771353	74	37	17776808	48	31
17764556	66	49	17771452	64	2	17776907	50	43
17767054	12	9	17771452	74	36	17777004	50	46
17767153	64	35	17771551	30	15	17777103	48	37
			17771551	64	14	17777202	48	39

NUMERICAL INDEX OF PARTS

PART NO	PAGE	REF NO.	PART NO	PAGE	REF NO.	PART NO	PAGE	REF NO.
17777301	2	34	17782004	54	15	17785908	76	33
17777400	36	34	17782004	58	7	17786005	56	64
17777509	24	57	17782053	54	1	17786104	56	56
17777608	30	42	17782053	58	1	17786203	56	68
17777707	50	50	17782103	42	4	17786302	56	67
17777715	82	5	17782202	16	3	17786401	32	53
17777806	30	44	17782301	12	29	17786500	56	71
17777905	32	70	17782400	6	22	17786708	36	20
17777905	76	34	17782509	6	11	17786807	12	16
17778002	46	93	17782608	12	26	17786906	12	3
17778101	44	89	17782707	16	1	17787003	12	10
17778200	50	85	17782806	12	38	17787102	36	11
17778309	50	61	17782905	16	7	17787201	40	61
17778408	50	55	17783002	12	40	17787300	72	24
17778507	42	26	17783101	12	32	17787409	38	12
17778606	42	2	17783200	6	14	17787508	38	10
17778705	42	29	17783309	6	12	17787607	38	14
17778804	44	48	17783408	6	8	17787706	38	8
17779000	32	48	17783606	12	23	17787904	38	46
17779109	68	27	17783705	16	22	17788001	36	24
17779109	78	26	17783804	16	25	17788100	36	31
17779307	24	58	17783903	6	17	17788217	42	25
17779505	88	20	17784000	42	10	17788308	42	34
17779604	30	46	17784067	42	1	17788407	42	37
17779802	80	22	17784109	42	11	17788506	44	63
17780008	2	37	17784208	20	47	17788605	44	75
17780107	4	48	17784307	42	12	17788761	50	83
17780206	2	21	17784406	42	14	17788761	82	2
17780305	2	17	17784505	22	15	17789108	48	3
17780404	2	29	17784604	22	32	17789207	38	16
17780503	2	27	17784703	24	69	17789306	50	81
17780602	2	7	17784802	24	59	17789405	2	14
17780701	2	8	17784901	28	53	17789454	2	9
17780800	68	11	17785007	36	1	17789504	2	13
17780800	78	11	17785114	38	1	17789603	50	78
17780909	68	8	17785205	36	40	17789801	50	64
17780909	78	8	17785205	38	5	17789900	48	15
17781006	2	25	17785304	30	36	17790007	48	17
17781105	2	44	17785403	30	4	17790106	48	18
17781204	2	45	17785502	30	1	17790205	48	2
17781303	4	54	17785601	30	30	17790254	48	1
17781402	2	23	17785601	76	23	17790304	48	21
17781501	2	19	17785700	30	12	17790403	48	38
17781600	4	52·53	17785809	30	8	17791005	40	55
17781709	4	52·53	17785908	32	67	17791104	50	48

NUMERICAL INDEX OF PARTS

PART NO	PAGE	REF NO.	PART NO	PAGE	REF NO.	PART NO	PAGE	REF NO.
17791401	50	51	17798109	36	3	25149105	22	4
17791401	82	4	17798406	42	6	25149808	30	41
17791450	50	47	17798406	88	23	25152109	16	40
17791450	82	3	17798604	68	15	25152208	24	55
17792052	84	2	17798604	78	15	A602020201B	16	35
17792102	84	4	17798703	18	19	A9102062BA0	80	13
17792151	84	3	17798802	18	14	B1121512000	76	30
17792219	84	5	17798802	50	52	B1652704000	52	87
17793605	18	24	17799008	6	36	B1707555000	50	54
17793704	18	27	17799107	6	25	B3304704000A	70	18
17793803	18	21	17799206	16	4	B3305704000A	70	11
17793902	18	13	17799404	18	15	B3309704000	70	17
17794009	18	4	17799404	50	53	B33097040A0	70	14
17794108	18	2	17799602	18	33	B3311012000	70	24
17794207	18	32	17799701	48	40	B3311704000	70	7
17794306	20	55	17799800	50	73	B3311804000	70	15
17794405	18	8	17848458	2	1	B3317704000	70	29
17794504	20	56	17848508	2	3	B3318704L00A	70	5
17794603	48	22	18195107	84	10	B3319704L00	70	9
17794702	48	23	18195156	84	8	B3320704L00A	70	23
17794801	74	38	18195206	86	23	B3321704L00	70	31
17794900	74	39	18195305	86	25	B4122052000	48	32
17795006	40	48	18195404	86	28	B8153771000	10	54
17795105	40	49	18195503	86	29	B8601WP10A0	80	1
17795808	86	4	18195552	86	22	B9110012000	80	3
17795857	86	2	18195560	86	21	CM300100102	4	56
17795865	86	1	18195602	86	30	CM300200001	4	72
17796103	26	1	18195909	86	13	CM300200001	32	72·73
17796202	44	66	18196006	88	14	CM300200001	34	25
17796301	38	21	18196105	88	13	CM3002000A3	4	71
17796400	4	51	18196204	88	9	CM3002000B1	34	24
17796509	18	20	18196253	88	6~8	CM3002000D1	32	72·73
17796608	18	5	18196303	88	11	CM300200301	4	73
17796707	18	6	18196352	88	6~8	CM3002003A1	4	74
17797101	12	37	18196402	88	10	CM300600102	4	70
17797101	16	2	18196451	88	6~8	CM500000001	4	57
17797200	12	31	18196550	22	21	CM500000001	62	61
17797309	12	36	18196550	82	8	CM500200001	30	39
17797408	12	28	18196659	88	1	D8113555B00	10	48
17797507	6	27	18196808	82	6	E8523304000	60	20
17797606	6	19	18196808	84	6	E8523304000	80	28
17797705	6	16	18199406	6	4	G5010340000	2	31
17797804	6	18	18199505	36	16	G5019340000	2	36
17797903	6	10	18199703	36	15	G5021116000	2	6
17798000	20	59	25070103	80	30	G5027340000	2	43

NUMERICAL INDEX OF PARTS

PART NO	PAGE	REF NO.	PART NO	PAGE	REF NO.	PART NO	PAGE	REF NO.
G5029340000	8	20·21	G5149340000	18	35	G5222340000	22	41
G5034340000	88	2	G5151340000	16	34	G5223340000	22	40
G5064116000	8	26	G5152340000	20	48	G5224340000	22	45
G5065116A00	8	17	G5153340000	20	51	G5225340000	22	46
G5067116A00	8	13	G5153340000	40	60	G5226340000	22	30
G5069116A00	8	14	G5154340000	56	53	G5226340000	54	24
G5072116000	8	27	G5155340000	56	50	G5226340000	58	23
G5073116000	8	28	G5156340000	56	52	G5226340000	82	9
G5074116000	8	7	G5157340000	54	44	G5226340000	84	14
G5075116A00	8	10	G5158340000	56	48	G5227340000	22	29
G5077116A00	8	3	G5160340000	56	61	G5227340000	82	12
G5078116000	8	9	G5161340000	16	37	G5227340000	84	13
G5087116A00	8	19	G5162340000	6	30	G5228340000	22	27
G5088116A00	8	11	G5163340000	6	31	G5228340000	82	13
G5101340000	6	35	G5165340000	6	32	G5228340000	84	9
G5109340000	12	45	G5166340000	6	34	G5229340000	22	28
G5109340000	16	13	G5173340000	54	33	G5229340000	82	14
G5110340000	12	39	G5173340000	58	33	G5230340000	22	24
G5110340000	16	8	G5174340000	54	37	G5230340000	82	15
G5112340000	12	43	G5174340000	58	37	G5231340000	26	33
G5112340000	16	11	G5178340000	24	65	G5233340000	28	61
G5116340000	54	32	G5178340000	30	20	G5235340000	28	51
G5116340000	58	32	G5179340000	16	27	G5236340000	28	50
G5117340000	54	34	G5179340000	26	30	G5237340000	26	27
G5117340000	58	34	G5180340000	18	1	G5238340000	26	29
G5118340000	58	30	G5180340000	26	20	G5239340000	26	32
G5119340000	54	30	G5181340000	26	22	G5240340000	26	37
G5120340000	54	41	G5182340000	26	21	G5241340000	26	41
G5120340000	58	41	G5183340000	26	23	G5242340000	28	48
G5121340000	54	40	G5201340000	24	60	G5243340000	26	36
G5121340000	58	40	G5204340000	22	7	G5244340000	26	24
G5122340000	54	42	G52043400A0	22	6	G5245340000	26	14
G5122340000	58	42	G5205340000	24	54	G5246340000	26	11
G5130340000	24	64	G5206340000	24	52	G5247340000	26	13
G5130340000	30	19	G5207340000	24	50	G5248340000	26	17
G5131340000	24	66	G5208340000	22	5	G5249340000	26	12
G5134340000	6	39	G5209340000	22	1	G5250340000	26	3
G5135340000	18	45	G5212340000	22	10	G5254340000	48	74
G5137340000	18	25	G5213340000	24	75	G5254340000	50	74
G5141340000	18	43	G5216340000	24	62	G5255340000	48	26
G5142340000	18	41	G5218340000	22	34	G5256340000	26	4
G5144340000	16	28	G52183400A0	22	33	G5257340000	26	7
G5146340000	16	9	G5219340000	22	42	G5258340000	80	11
G5147340000	16	32	G5220340000	22	43	G5259340000	22	18
G5148340000	18	34	G5221340000	22	36	G5261340000	12	4

NUMERICAL INDEX OF PARTS

PART NO	PAGE	REF NO.	PART NO	PAGE	REF NO.	PART NO	PAGE	REF NO.
G5261340000	24	47	G5345340000	12	1	G5467340000	48	10
G5262340000	26	40	G5346340000	12	41	G5468340000	48	11
G5263340000	26	44	G5358340000	12	7	G5472340000	50	67
G5264340000	26	39	G5359340000	76	10	G5473340000	88	17
G5265340000	22	22	G5403139000	80	25	G5480340000	2	10
G5265340000	82	17	G5410340000	40	65	G5481340000	2	11
G5265340000	84	16	G5411340000	48	20	G5482340000	2	12
G5265340000	86	31	G5414340000	48	35	G5483340000	36	35
G5267340000	28	62	G5415340000	38	26	G5485340000	36	2
G5301340000	30	17	G5416340000	38	31	G5486340000	36	4
G5301340000	76	28	G5417340000	38	33	G5487340000	36	5
G5301340A00	30	18	G5417340000	48	13	G5488340000	38	2
G5305340000	32	49	G5418340000	38	35	G5489340000	38	3
G5307340000	30	34	G5419340000	38	38	G5490340000	38	4
G5309340000	30	37	G5420340000	38	39	G5491340000	36	14
G5310340000	32	56	G5421340000	38	37	G5495340000	42	27
G5311340000	30	40	G5422340000	38	43	G5496116A00	68	22
G5316340000	30	21	G5424340000	38	44	G5496116A00	78	22
G5316340000	76	16	G5429340000	38	27	G5499340000	50	49
G5317340000	30	22	G5430116000	68	2	G5499340000	82	7
G5317340000	76	17	G5430116000	78	2	G5499340000	84	7
G5318340000	30	24	G5430340000	36	7	G5501340000	54	12
G5318340000	76	15	G5432340000	40	50	G5501340000	58	14
G5319340000	30	27	G5440340000	44	52	G5501340000	86	3
G5319340000	76	21	G5442340000	42	36	G5503340000	54	16
G5320340000	30	28	G5444340000	44	69	G5503340000	58	8
G5320340000	76	20	G5445340000	18	12	G5503340000	86	5
G5321340000	30	29	G5445340000	42	41	G5504340000	54	18
G5321340000	76	19	G5445340000	50	66	G5504340000	58	10
G5322340000	30	32	G5447340000	42	42	G5504340000	80	23
G5323340000	76	24	G5448340000	42	39	G5504340000	86	7
G5323340000	80	9	G5449340000	44	47	G5505340000	54	2
G5324340000	30	33	G5450340000	42	45	G5505340000	58	17
G5324340000	76	25	G5451340000	44	70	G5505340000	86	8
G5325340000	30	23	G5452340000	44	74	G5506340000	54	19
G5328340000	34	10	G5453340000	42	43	G5506340000	58	11
G5329340000	34	4	G5454340000	44	55	G5506340000	80	18
G5330340000	34	7	G5455340000	44	54	G5506340000	86	9
G5334340000	34	8	G5456340000	44	60	G5507340000	54	20
G5335340000	34	21	G5457340000	44	58	G5507340000	58	12
G5336340000	34	1	G5460340000	44	53	G5507340000	86	10
G5337340000	34	3	G5463340000	50	84	G5508340000	54	4
G5338340000	34	2	G5464340000	48	6	G5508340000	58	18
G5339340000	34	18	G5465340000	48	8	G5508340000	86	11
G5343340000	12	5	G5466340000	48	9	G5509340000	54	5

NUMERICAL INDEX OF PARTS

PART NO	PAGE	REF NO.	PART NO	PAGE	REF NO.	PART NO	PAGE	REF NO.
G5509340000	58	19	G5541340000	14	51	G5702340000	80	6
G5509340000	86	12	G5541340000	16	19	G5704340000	80	8
G5510340000	54	7	G5542340000	54	17	G5706340000	80	14
G5510340000	58	21	G5542340000	58	9	G5707340000	80	20
G5511340000	54	6	G5542340000	80	24	G5708340000	80	19
G5511340000	58	20	G5542340000	86	6	G5709340000	80	12
G5511340000	80	17	G5543340000	54	28	G5837116000	40	52
G5511340000	86	14	G5543340000	58	27	G5840116000	8	38
G5512340000	54	13	G5545340000	42	3	G5846116000	2	38
G5512340000	58	15	G5557340000A	72	16	G5854116000	8	15
G5512340000	86	15	G5558340000A	72	20	G60733400A0	4	58
G5513340000	54	14	G5560340000	76	2	G60773400A0	4	59
G5513340000	58	13	G55603400A0	76	1	G6815150000	68	1
G5513340000	80	21	G5561340000	76	11	G6815150000	78	1
G5513340000	86	16	G5562340000	76	13	G91011160A0	80	2
G5514340000	54	3	G5565340000	76	29	G9119116000	80	4
G5514340000	58	16	G5568340000	74	1	G91201160A0	80	7
G5514340000	86	17	G5569340000	74	6	GPF06060000	10	52
G5515340000	54	8	G5570340000	74	25	GPF06070000	10	53
G5515340000	58	22	G5571340000	74	9	GPF06080000	8	43
G5515340000	86	18	G5572340000	74	26	GPK12027000	4	69
G5516340000A	54	9	G5573340000	74	11	HA000700000	8	24·25
G5517340000A	54	21	G5574340000	74	10	HA003560000	62	55
G5518340000A	58	6	G5575340000	74	24	HB000310010	60	6
G5519340000A	58	28	G5576340000	74	15	HB000330000	60	5
G5520340000	58	25	G5577340000	74	33	HE000120000	16	36
G5521340000	54	26	G5578340000	18	30	HE000120000	80	27
G5522340000	54	29	G5578340000	74	40	HF005111000	60	16
G5522340000	58	29	G5582340000	32	64	HF00511100A	60	17
G5523340000A	42	22	G5582340000	76	9	HF00511100B	60	19
G5527340000	42	16	G5583340000	54	27	HL007170334	86	33
G5529340000	42	18	G5583340000	58	26	HX000430000	60	26
G5530340000	42	19	G5587340000	72	1	HX00115000A	62	42
G5531340000	42	20	G5588340000	72	5	HX00115000D	60	12
G5532340000	42	21	G5589340000	72	8	HX00115000E	62	44
G5533340000	42	7	G5590340000	72	6	HX00123000A	8	5
G5537340000	14	48	G5591340000	72	13	HX00150000B	60	21
G5537340000	16	16	G5592340000A	72	19	HX00150000F	60	27
G5538340000	14	49	G5593340000	72	12	HX00150000H	60	28
G5538340000	16	17	G5594340000	72	11	HX00150000K	60	22
G5539340000	14	50	G5595340000	72	4	HX00150000N	60	23
G5539340000	16	18	G5626116000	74	28	HX003690000	60	3
G5539340000	50	86	G5630116000	74	32	MAO11532000	70	34
G5540340000	14	47	G5680116000	74	20	MAS151010A0A	82	1
G5540340000	16	15	G5701340000	80	5	MAS152010A0A	84	1

NUMERICAL INDEX OF PARTS

PART NO	PAGE	REF NO.	PART NO	PAGE	REF NO.	PART NO	PAGE	REF NO.
MC901001000	58	3	NM6100001SC	6	29	PJ304040504	28	60
MC90100100T	80	16	NM6120001SC	2	42	PJ304040504	44	85
MC901001150	86	19·20	NM6120001SC	12	25	PJ304085101	68	20
MDPN20A1000	58	2	NS6060310SP	76	32	PJ304085101	78	20
MDPN20A100T	80	15	NS6110310SP	42	15	PJ304085201	68	5
MDPN20B1150	86	19·20	PA0600801A0	50	62	PV130508000	68	16~ 18·24
NM6030001SC	14	53	PA0601001A0	48	36	PV130508000	78	16~ 18·23
NM6030001SC	16	21	PA100080100	50	70	PV130509000	68	16~ 18·24
NM6030001SC	44	92	PA100102000	72	27	PV130509000	78	16~ 18·23
NM6030001SC	50	56	PA1003502A0	74	22	PV130509000	78	16~ 18·23
NM6030001SC	62	54	PA1500504A0	72	9	PV150509000	68	16~ 18·24
NM6030001SC	72	23	PA160050400	74	18	PV150509000	78	16~ 18·23
NM6040001SC	4	65	PA1601010A0	32	59	PV150509000	78	16~ 18·24
NM6040001SC	18	38	PA1601512A0	76	4	PV150509000	78	16~ 18·23
NM6040001SC	28	52	PA160151600	54	45	PX500020000	32	62
NM6040001SC	30	26	PA1601517A0	20	52	PX500020000	44	83
NM6040001SC	34	20	PA1601517A0	40	58	PX5000280A0	32	63
NM6040001SC	38	23	PA1601701A0	44	82	PX5000280A0	44	84
NM6040001SC	44	73	PA1602508A0	44	78	PX5000300A0	22	14
NM6040001SC	54	63	PA200200200	28	59	PX5000480A0	32	66
NM6040001SC	56	63	PA2002519A0	22	12	PX5000480A0	44	86
NM6040001SC	58	5	PA800015000	24	73	RC0560711KP	76	6
NM6040001SC	76	26	PC010507000	40	59	RC3200002K0	6	15
NM6050001SC	16	33	PC010507000	44	81	RE0200000K0	88	18
NM6050001SC	18	23	PC010508000	24	74	RE0300000K0	42	76
NM6050001SC	22	3	PC010508000	32	60	RE0300000K0	44	76
NM6050001SC	26	6	PC010508000	74	23	RE0300000K0	48	7
NM6050001SC	30	69	PC010508000	76	5	RE0300000K0	80	26
NM6050001SC	32	69	PC015104000	22	13	RE0500000K0	12	6
NM6050001SC	38	42	PF0552130A0	68	4	SB115000200	6	33
NM6050001SC	42	40	PF0552130A0	78	4	SD0450211SP	88	19
NM6050001SC	54	38	PF070501000	68	19	SD0500204TP	50	72
NM6050001SC	76	14	PF070501000	78	19	SK3382001SE	70	2
NM6050001SE	70	27	PJ030520003	68	3	SK3412000SC	2	4
NM6050003SC	20	54	PJ030520003	78	3	SK3483200SE	62	57
NM6060001SC	6	26	PJ042050002	54	46	SL4030681SC	4	60
NM6060001SC	8	50	PJ046052503	50	63	SL4030691SC	60	39
NM6060001SC	10	50	PJ301040502	56	47	SL4030891SC	60	40
NM6060001SC	26	43	PJ301040502	68	21	SL4040691SC	60	25
NM6060001SC	56	73	PJ301040502	72	28	SL4040891SC	60	9
NM6060001SC	74	4	PJ301040502	74	19	SL4041081SC	60	13
NM6060001SE	70	33	PJ301040502	78	21	SL4041091SC	60	24
NM6080001SC	6	41	PJ301085201	78	5	SM0030601SC	16	24
NM6080001SC	8	31	PJ304040001	76	8	SM0030601SC	18	16
NM6080001SC	58	38	PJ304040504	20	53			

NUMERICAL INDEX OF PARTS

PART NO	PAGE	REF NO.	PART NO	PAGE	REF NO.	PART NO	PAGE	REF NO.
SM0040601SC	8	6	SM6040802TR	20	49	SM6043202TP	34	17
SM0041001SC	4	55	SM6041002TP	2	32	SM6043552TP	44	56
SM0041201SA	2	15	SM6041002TP	8	39	SM6050802TP	26	38
SM0042501SN	2	16	SM6041002TP	18	36	SM6051002TP	24	78
SM0050801SC	2	49	SM6041002TP	28	63	SM6051002TP	32	50
SM0050801SC	4	49	SM6041002TP	30	13	SM6051002TP	38	45
SM0050801SC	32	61	SM6041002TP	34	13	SM6051002TP	60	14
SM0050801SC	76	18	SM6041002TP	36	32	SM6051202TP	2	46
SM0051001SC	2	24	SM6041002TP	38	15	SM6051202TP	22	35
SM1030501SC	62	46	SM6041002TP	44	71	SM6051202TP	32	54
SM1031601SC	62	47	SM6041002TP	48	16	SM6051202TP	68	12
SM1040801SC	62	50	SM6041002TP	74	41	SM6051202TP	78	12
SM1045001SB	2	5	SM6041002TP	88	21	SM6051552TP	8	12
SM3040601SC	34	22	SM6041202TP	12	19	SM6051552TP	12	21
SM4031201SC	30	16	SM6041202TP	18	9	SM6051552TP	18	42
SM4040801SC	12	13	SM6041202TP	22	37	SM6051552TP	22	16
SM4041001SC	60	18	SM6041202TP	30	3	SM6051552TP	28	54
SM4041401SC	60	10	SM6041202TP	36	25	SM6051552TP	30	45
SM4042001SR	68	28	SM6041202TP	40	56	SM6051552TP	36	21
SM4042001SR	78	27	SM6041202TP	42	38	SM6051552TP	38	34
SM4044001SF	4	68	SM6041202TP	54	35	SM6051552TP	48	14
SM4051405SE	70	13	SM6041202TP	58	35	SM6051602TP	30	38
SM4061201SE	70	32	SM6041402TP	38	17	SM6051602TP	38	51
SM6020502TN	74	14	SM6041502TP	6	13	SM6051602TP	40	51
SM6020752TP	74	7	SM6041502TP	12	18	SM6051602TP	42	31
SM6030402TP	34	9	SM6041502TP	18	39	SM6051802TP	12	33
SM6030602TP	88	22	SM6041502TP	30	57	SM6051802TP	26	25
SM6030802TP	42	90	SM6041502TP	32	57	SM6051802TP	38	32
SM6030802TP	44	90	SM6041502TP	44	61	SM6052002TP	16	29
SM6030802TP	74	12	SM6041502TP	56	65	SM6052002TP	18	46
SM6031002TP	18	17	SM6041602TP	6	2	SM6052002TP	24	71
SM6031002TP	44	49	SM6041602TP	20	57	SM6052002TP	26	18
SM6031002TP	48	45	SM6041602TP	38	22	SM6052002TP	74	8
SM6031002TP	50	45	SM6041602TP	54	36	SM6052502TP	12	30
SM6031002TP	72	25	SM6041602TP	58	36	SM6052502TP	24	53
SM6031202TP	44	91	SM6041802TP	26	15	SM6052502TP	26	45
SM6031202TP	50	57	SM6041802TP	36	18	SM6052502TP	54	31
SM6040602TP	34	11	SM6041802TP	40	62	SM6052502TP	58	31
SM6040602TP	74	34	SM6041802TP	56	62	SM6053000SE	70	19
SM6040802TP	30	47	SM6041802TP	72	2	SM6053002TP	36	17
SM6040802TP	32	47	SM6042002TP	40	64	SM6053502TP	76	3
SM6040802TP	34	14	SM6042002TP	44	72	SM6054002TN	28	57
SM6040802TP	36	8	SM6042502TP	36	41	SM6061002TP	2	39
SM6040802TP	38	28	SM6042502TP	38	6	SM6061202TP	34	16
SM6040802TP	48	30	SM6042502TP	76	27	SM6061202TP	76	31

NUMERICAL INDEX OF PARTS

PART NO	PAGE	REF NO.	PART NO	PAGE	REF NO.	PART NO	PAGE	REF NO.
SM6061552TP	2	35	SM8040602TP	38	36	SS5090610SP	26	2
SM6061552TP	6	20	SM8040602TP	42	65	SS6080610TP	50	82
SM6061552TP	16	38	SM8040602TP	44	65	SS6080720SP	50	68
SM6061552TP	20	60	SM8040602TP	76	22	SS6090810SP	74	27
SM6061552TP	24	76	SM8040602TP	82	11	SS6121860SP	50	65
SM6061552TP	42	28	SM8040602TP	84	11	SS7080820SP	32	71
SM6061552TP	68	6	SM8040602TP	86	27	SS7080820SP	76	35
SM6061552TP	78	6	SM8040802TP	16	23	SS7110540SP	70	16
SM6061610SC	70	6	SM8040802TP	26	16	SS7112420SP	42	23
SM6061802TP	12	46	SM8040802TP	30	35	SS9090640SP	74	42
SM6061802TP	16	14	SM8040802TP	44	67	SS9091010SP	18	44
SM6061802TP	56	54	SM8040802TP	50	77	SS9091010SP	74	29
SM6062002TP	6	5	SM8040802TP	54	25	SS9151210TP	2	2
SM6062002TP	26	34	SM8040802TP	58	24	TA1450404R0	48	4
SM6062002TP	46	94	SM8041012TP	12	42	WP0320500SC	44	51
SM6062502TP	8	32	SM8041012TP	40	47	WP0320500SC	72	22
SM6062502TP	24	61	SM8041012TP	44	77	WP0320500SF	62	53
SM6062502TP	56	59	SM8041012TP	50	76	WP0430800SC	4	66
SM6082002TP	8	44	SM8041012TP	54	22	WP0430800SC	12	15
SM6082002TP	22	19	SM8041012TP	58	4	WP0430800SC	18	37
SM6082002TP	40	53	SM8050602TP	12	44	WP0430800SC	22	39
SM6082502TP	12	27	SM8050602TP	16	12	WP0430800SC	30	11
SM6102512TP	6	23	SM8050602TP	18	26	WP0430800SC	36	27
SM6104002TP	36	37	SM8050602TP	54	51	WP0430800SC	38	30
SM6123002TP	88	3	SM8050602TP	56	51	WP0430800SC	74	21
SM8030302TP	50	80	SM8050602TP	58	43	WP0430800SC	88	25
SM8030402TP	50	79	SM8050812TP	8	18	WP0430801SC	18	11
SM8030502TP	12	8	SM8050812TP	26	28	WP0430801SC	38	25
SM8030502TP	22	48	SM8050812TP	56	49	WP0430801SC	50	60
SM8030502TP	24	48	SM8051002TP	72	3	WP0430801SC	88	26
SM8030502TP	36	28	SM8052002TP	22	2	WP0450000SD	74	31
SM8030502TP	42	44	SM8060802TP	16	10	WP0531000SC	12	35
SM8030502TP	48	27	SM8061002TP	6	42	WP0531000SC	16	6
SM8030502TP	82	18	SM8061552TP	8	16	WP0531000SC	26	56
SM8030502TP	84	17	SM9040803SE	50	58	WP0531000SC	28	56
SM8030502TP	86	32	SM9052003SC	32	68	WP0531000SC	32	52
SM8030602TP	42	46	SM9052003SD	38	41	WP0531000SC	62	60
SM8030602TP	48	42	SM9052553CP	30	6	WP0531001SC	18	7
SM8040402TP	24	63	SM9062003SC	10	51	WP0531001SC	42	33
SM8040502TP	6	9	SM9062003SE	8	40	WP0531001SC	62	58
SM8040602TP	22	51	SM9065513SF	10	49	WP0641601SC	6	7
SM8040602TP	24	51	SM9081553SB	8	36	WP0641601SC	8	42
SM8040602TP	26	49	SM9083503SC	6	40	WP0641601SC	26	42
SM8040602TP	28	49	SS4080610SP	42	17	WP0641601SC	46	96
SM8040602TP	36	36	SS4091010SP	74	43	WP0841600SC	8	46

NUMERICAL INDEX OF PARTS

PART NO	PAGE	REF NO.	PART NO	PAGE	REF NO.
WP1002036SC	36	39	WS0510002KN	54	66
WP1052001SC	6	38	WS0510002KN	56	66
WP1302501SC	88	5	WS0510002KN	62	59
WP1612616SE	70	30	WS0510002KN	68	13
WS0310002KN	4	61	WS0510002KN	74	3
WS0310002KN	14	52	WS0510002KN	78	13
WS0310002KN	16	39	WS0610002KN	2	40
WS0310002KN	18	18	WS0610002KN	6	21
WS0310002KN	42	50	WS0610002KN	8	41
WS0310002KN	44	50	WS0610002KN	20	61
WS0310002KN	48	44	WS0610002KN	24	77
WS0310002KN	50	44	WS0610002KN	26	35
WS0310002KN	72	26	WS0610002KN	46	95
WS0310002KN	74	13	WS0610002KN	56	72
WS0410002KN	2	67	WS0610002KN	68	7
WS0410002KN	4	67	WS0610002KN	74	35
WS0410002KN	12	20	WS0610002KN	78	7
WS0410002KN	18	58	WS0820002KN	8	45
WS0410002KN	20	58	WS0820002KN	22	20
WS0410002KN	22	56	WS0820002KN	40	54
WS0410002KN	24	56	WS0820002KN	58	39
WS0410002KN	28	64	WS1020002KN	6	37
WS0410002KN	30	58	WS1020002KN	36	38
WS0410002KN	32	58	WS1220002KN	12	24
WS0410002KN	34	23	WS1220002KN	88	4
WS0410002KN	36	42	WZ0430200KH	88	24
WS0410002KN	38	63			
WS0410002KN	40	63			
WS0410002KN	44	68			
WS0410002KN	48	59			
WS0410002KN	50	59			
WS0410002KN	56	58			
WS0410002KN	74	30			
WS0410002KR	6	3			
WS0451040KP	42	24			
WS0510002KN	4	47			
WS0510002KN	12	34			
WS0510002KN	16	31			
WS0510002KN	18	29			
WS0510002KN	22	79			
WS0510002KN	24	79			
WS0510002KN	26	58			
WS0510002KN	28	58			
WS0510002KN	32	55			
WS0510002KN	42	32			