

MODEL : TSC-461

List No : 0612-05

# PARTS LIST

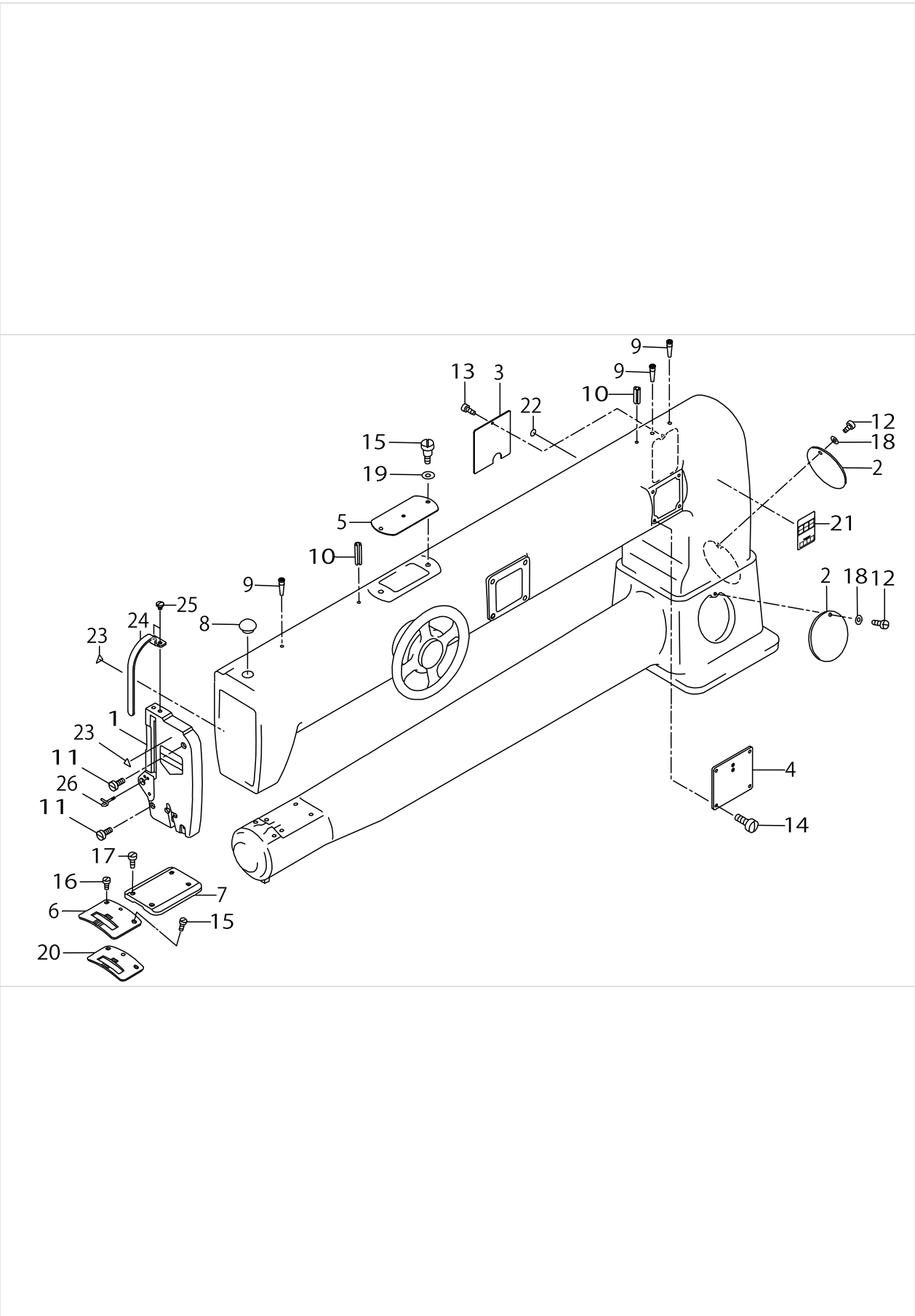
Published:05/12/2017

## CONTENTS

---

FRAME & MISCELLANEOUS COVER COMPONENTS .....	1
MAIN SHAFT COMPONENTS .....	3
NEEDLE BAR & UPPER FEED MECHANISM COMPONENTS .....	5
PRESSURE BAR COMPONENTS .....	9
FEED MECHANISM COMPONENTS .....	11
HOOK DRIVING SHAFT COMPONENTS .....	13
TENSION POST COMPONENTS .....	17
THREAD WINDER & THREAD GUIDE COMPONENTS .....	19
KNEE LIFTER COMPONENTS .....	21
AUXILIARY HAND WHEEL COMPONENTS .....	23
BELT COVER COMPONENTS .....	25
THREAD STAND COMPONENTS .....	27
TABLE COMPONENTS .....	29
ACCESSORIES PARTS COMPONENTS .....	31
LIST FOR INFORMATION OF CHANGE .....	33
HOW TO MAKE USE OF THIS PARTS LIST .....	34

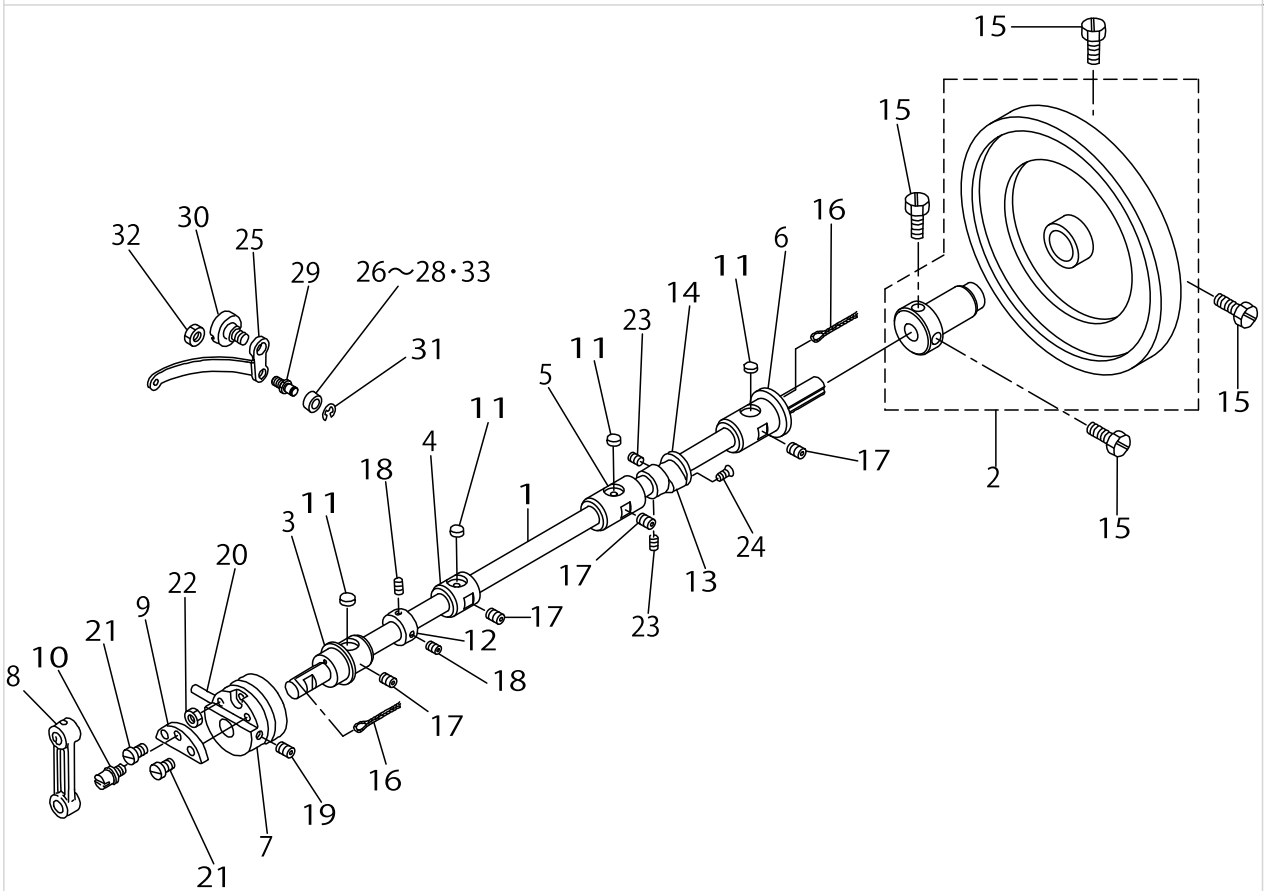
FRAME & MISCELLANEOUS COVER COMPONENTS



FRAME & MISCELLANEOUS COVER COMPONENTS

No.	Supply Code	Parts No.	Replacement	Parts name	Remarks	Choice	Step	Level	Cons	Qty	Rep. QTY
1		21096359		FACE PLATE ASM.						1	
2		21148507		SIDE COVER						2	
3		21192703		SIDE COVER B						1	
4		21192802		SIDE COVER C						1	
5		21192901		SIDE COVER D						1	
6		21160205		THROAT PLATE						1	
7		21180609		BED SLIDE						1	
8		TA1250406R0		RUBBER PLUG D=12.5 L=4						1	
9		A3243997C00		REARMATELOILPIPE						3	
10		PS0500452KP		SPRING PIN						2	
11		SS6151920SP		SCREW 15/64-28 L=19.0						2	
12		SS7090710SP		SCREW 9/64-40 L= 6.8						1	
13	R	SS7091110SP	SS7091110TP	SCREW 9/64-40 L=10.5						1	1.00
14	R	SS7111120SP	SS7111120TP	SCREW 11/64-40 L=10.5						4	1.00
15		SD0630241SD		HINGE SCREW D= 6.30 H= 2.4						1	
16	R	SS7120910SP	SS7120910TP	SCREW 3/16-28 L=9						2	1.00
17	R	SS7120910SP	SS7120910TP	SCREW 3/16-28 L=9						4	1.00
18		WZ0430390KP		WASHER						2	
19		B1152051000		WASHER						1	
20		21160304		THROAT PLATE (SHORT)	OPTIONAL PARTS					1	
21		CM301200002		SAFETY LABEL_L						1	
22		22901805		GROUND MARK						1	
23		CM300200001		ATTENTION SEAL						2	
24		21097605		TAKE-UP COVER(JE)						1	
25		SS7150740SP		SCREW 15/64-28 L=7						2	
26		21059514		THREAD RACK						1	

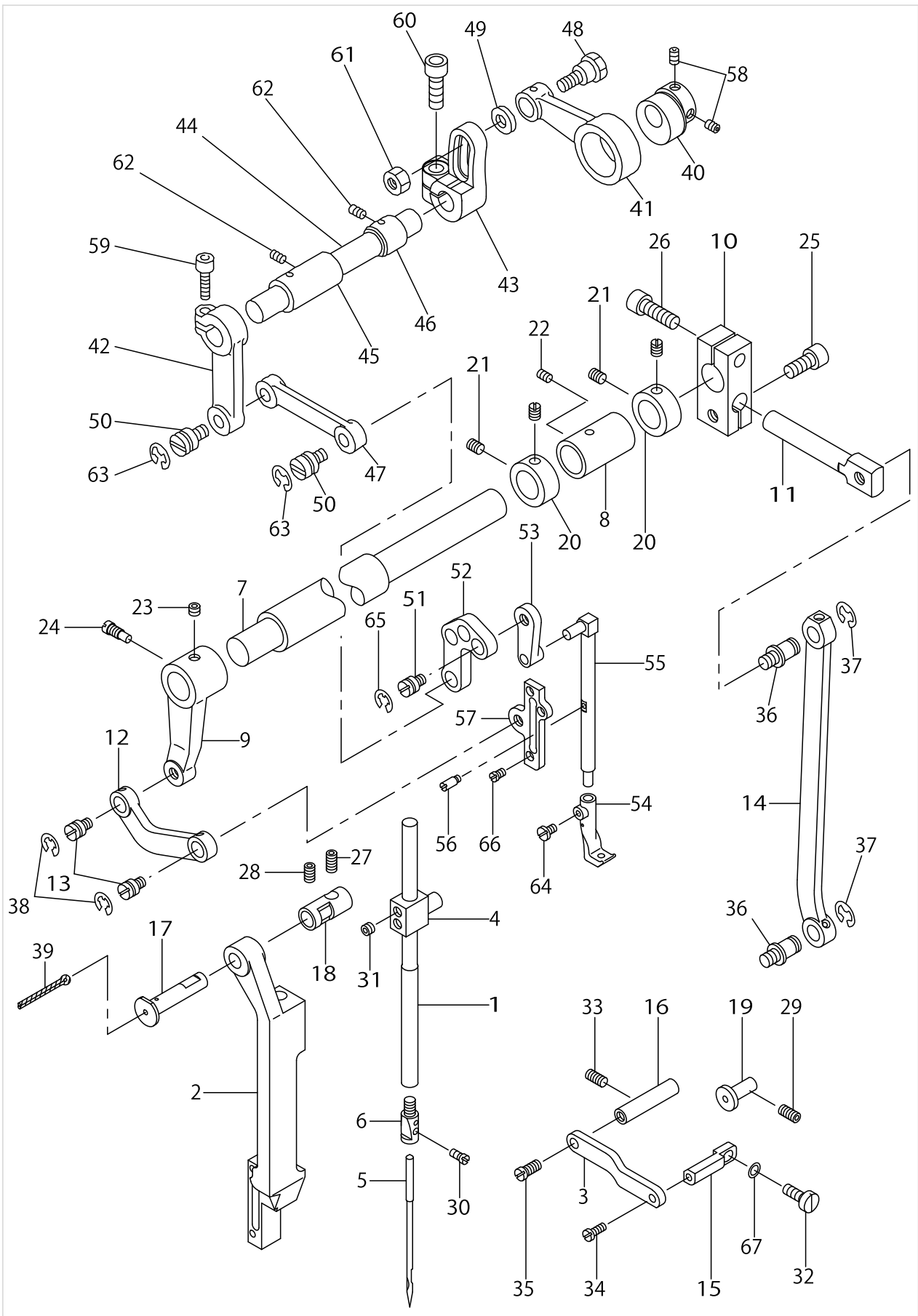
# MAIN SHAFT COMPONENTS



MAIN SHAFT COMPONENTS

No.	Supply Code	Parts No.	Replacement	Parts name	Remarks	Choice	Step	Level	Cons	Qty	Rep. QTY
1		21181102		MAIN SHAFT						1	
2		21193057		HAND WHEEL ASM.						1	
3		21181300		BUSHING, FRONT						1	
4		21181409		BUSHING, MIDDLE (1)						1	
5		21181508		BUSHING, MIDDLE (2)						1	
6		21181607		BUSHING, REAR						1	
7		21181706		CAM						1	
8		21091707		CRANK ROD						1	
9		21045109		CRANK PLATE						1	
10		21045604		NEEDLE BAR CRANK SHAFT						1	
11		21045406		FELT						4	
12		21181805		THRUST COLLAR						1	
13		21151402		FEED CAM						1	
14		21045505		SIDE PLATE						1	
15		SS9702110SP		SCREW						4	
16		CQ202000000		OIL WICK						.2	
17		SS8151550SP		SCREW 15/64-28L=15						4	
18		SS8660610TP		SCREW 1/4-40 L=6						2	
19		SS8660612TP		SCREW 1/4-40 L=6						2	
20		PT0405600SH		TAPER PIN						1	
21		SS1681140SP		SCREW 9/32-28 L=11						2	
22		NS6680410SP		NUT 9/32-28						1	
23	R	SS8150710SP	SS8150710TP	SCREW 15/64-28 L=7						2	1.00
24		SS2110915SP		SCREW 11/64-40 L=8.5						2	
25		21091806		THREAD TAKE-UP LEVER						1	
26		21046008		BALANCE ROLLER.						1	
27		21046107		ROLLER	SELECTIVE PARTS					1	
28		21046206		ROLLER	SELECTIVE PARTS					1	
29		21046313		ROLLER STUD						1	
30		SD1070901TP		HINGE SCREW						1	
31		RE0400000K0		E-RING 4						1	
32		NS6680410SP		NUT 9/32-28						1	
33		40027078		ROLLER	SELECTIVE PARTS					1	

NEEDLE BAR & UPPER FEED MECHANISM COMPONENTS

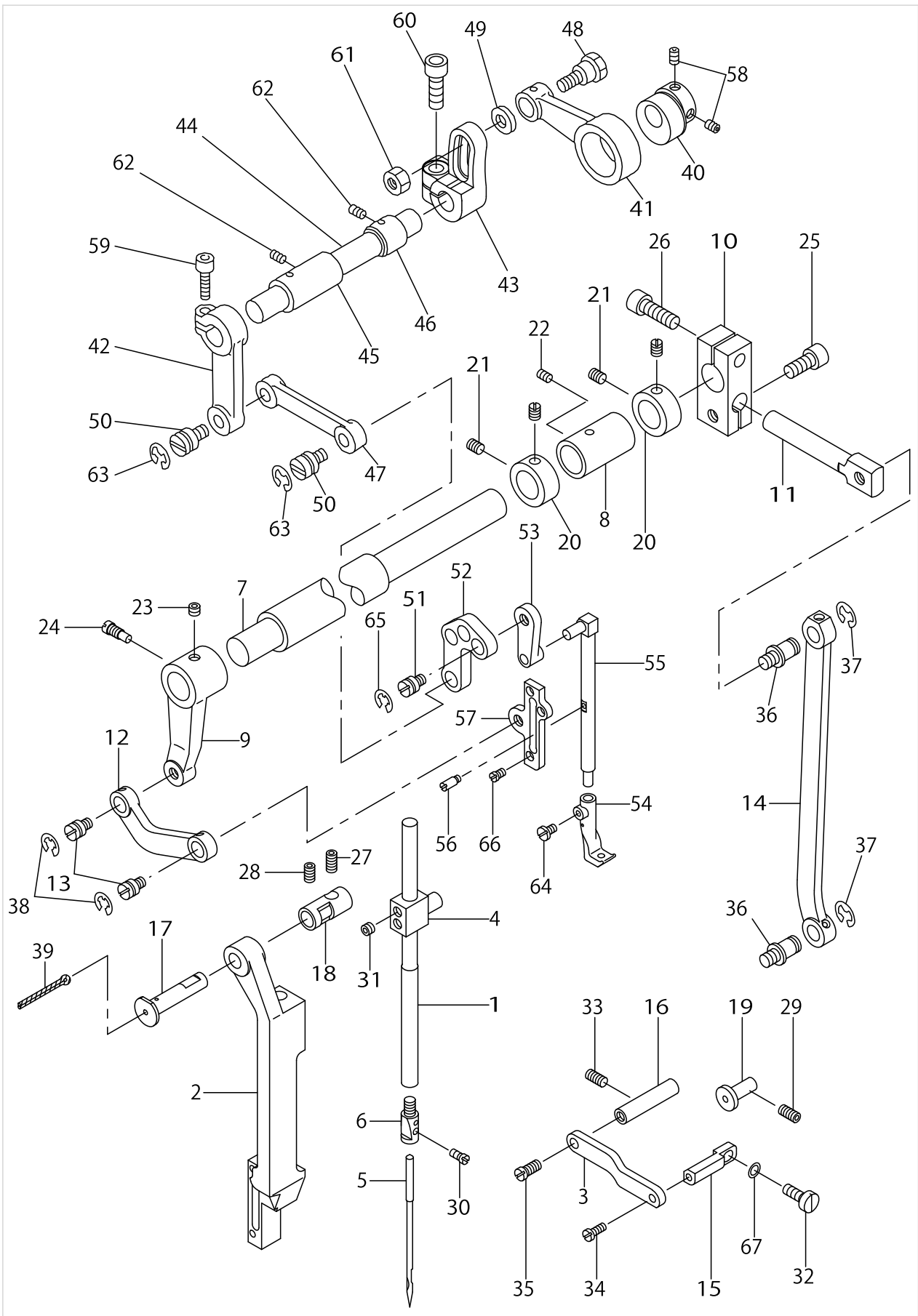


NEEDLE BAR & UPPER FEED MECHANISM COMPONENTS

No.	Supply Code	Parts No.	Replacement	Parts name	Remarks	Choice	Step	Level	Cons	Qty	Rep. QTY
1		21092002		NEEDLE BAR						1	
2		21092101		FRAMEDRIVINGBASE						1	
3		21092200		PRESSURE PLATE						1	
4		21092309		NEEDLE BAR CONNECTION						1	
5		MC532002300		NEEDLE (794NM=230)						1	
6		21092408		NEEDLE STOPPER						1	
7		21182100		DRIVING SHAFT						1	
8		21182209		BUSHING, REAR						1	
9		21092804		DRIVING SHAFT FRONT ARM						1	
10	D	21161617		DRIVING SHAFT REAR ARM A						1	
11	D	21161708		DRIVING SHAFT REAR ARM B						1	
12		21093000		FRAME DRIVING LINK						1	
13		21048707		HINGE SCREW						2	
14		21161807		NEEDLE BAR FRAME DRIVING ROD						1	
15		21093208		PRESSURE PLATE						1	
16		21093307		PRESSURE SHAFT						1	
17		21093406		FRAME DRIVING BASE SHAFT						1	
18		21093505		FRAME DRIVING BASE SHAFT METAL						1	
19	D	21093604		FRAME DRIVING BASE GUIDE						1	
20		CS1801211SH		THRUST COLLAR D=18 W=12						2	
21		SS8660810TP		SCREW 1/4-40 L=8						4	
22	R	SS8150710SP	SS8150710TP	SCREW 15/64-28 L=7						1	1.00
23		SS8660512TP		SCREW 1/4-40 L=5						1	
24		SS7151550SP		SCREW 15/64-28 L=14.5						1	
25		SM6081802TP		SCREW						1	
26		SM6082502TP		SCREW M8 L=25						1	
27		SM8061212TP		SCREW M6X12						1	
28		D2446141E00		METAL SCREW						1	
29		SM8061212TP		SCREW M6X12						1	
30		SS6110710TP		SCREW 11/64-40 L= 6.5						1	
31		SS8660512TP		SCREW 1/4-40 L=5						2	
32		SM6061650TP		SCREW						1	
33		SM8061212TP		SCREW M6X12						1	
34	R	SS7111120SP	SS7111120TP	SCREW 11/64-40 L=10.5						1	1.00
35		SS7151120SP		SCREW 15/64-28L=11						1	
36		B1424158000		HINGE SCREW						2	
37		RE0700000K0		E-RING 7						2	
38		RE0800000K0		E-SHAPED SNAP RING (8MM)						2	
39		CQ202000000		OIL WICK						.2	
40		21181904		CAM						1	
41		21049309		CONNECTING ROD						1	
42		21049408		DRIVING SHAFT ARM, FRONT						1	
43		21049515		DRIVING SHAFT ARM, REAR						1	
44		21049606		FEED ROCKERSHAFT						1	
45		21049705		BUSHING, FRONT						1	
46		21049804		BUSHING,REAR						1	



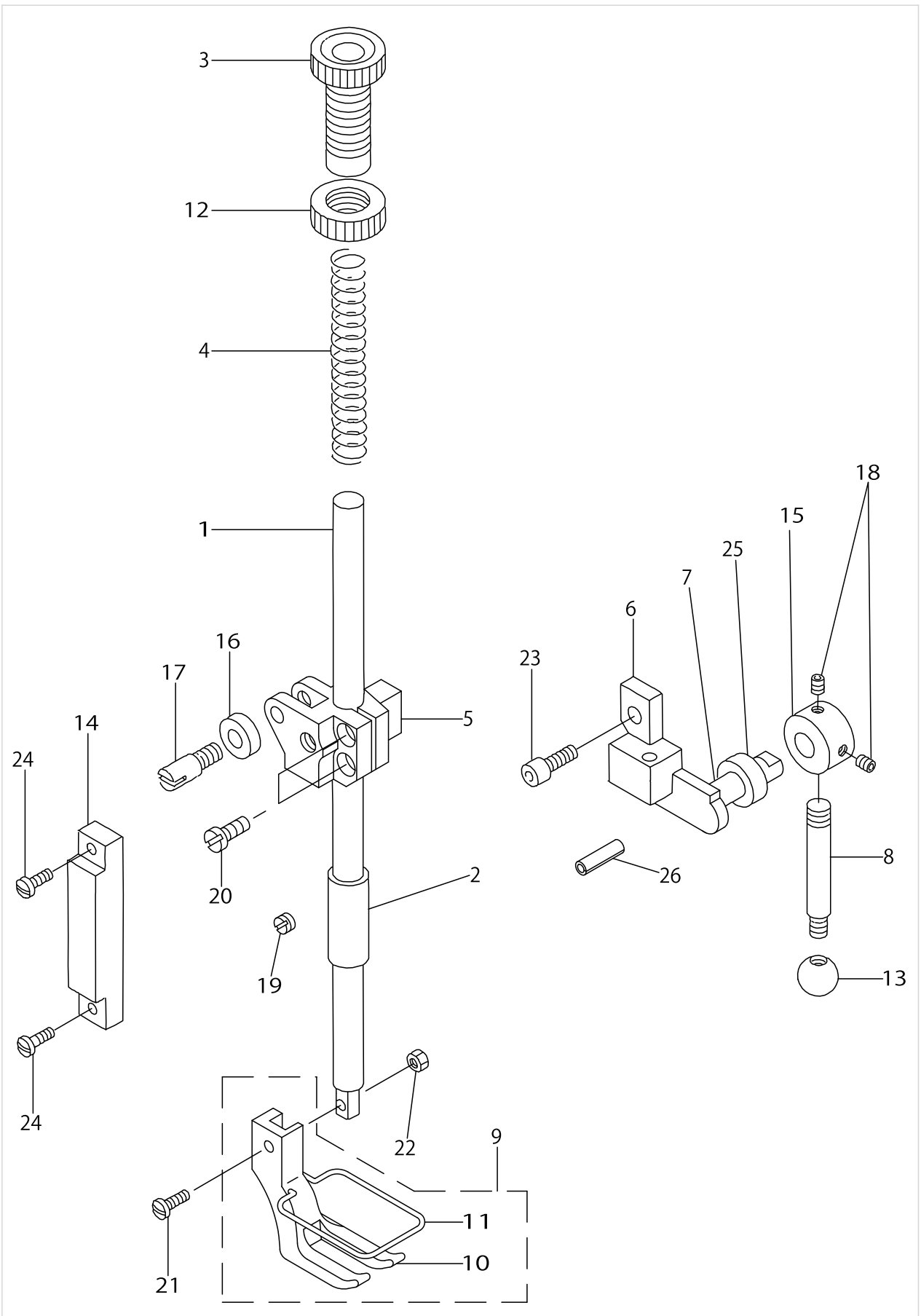
NEEDLE BAR & UPPER FEED MECHANISM COMPONENTS



NEEDLE BAR & UPPER FEED MECHANISM COMPONENTS

No.	Supply Code	Parts No.	Replacement	Parts name	Remarks	Choice	Step	Level	Cons	Qty	Rep. QTY
47		21049903		ROD						1	
48		21050000		HINGE SCREW						1	
49		21050109		WASHER						1	
50		21048707		HINGE SCREW						2	
51		21048707		HINGE SCREW						2	
52		21093901		L-LINK						1	
53		21094008		UPPER FEED FRAME DRIVING LINK						1	
54		21094107		WALKING FOOT						1	
55		21094701		UPPER FEED BAR						1	
56		21094800		UPPER FEED BAR PIN						1	
57		21094909		UPPER FEED BAR GUIDE						1	
58		SS8660610TP		SCREW 1/4-40 L=6						2	
59	R	SM6061552TP	SM6061552SP	SCREW M6 L=15						1	1.00
60		SM6081802TP		SCREW						1	
61		NS6720440SP		NUT 11/32-28						1	
62	R	SS8150710SP	SS8150710TP	SCREW 15/64-28 L=7						2	1.00
63		RE0800000K0		E-SHAPED SNAP RING (8MM)						2	
64		SS7110840SP		SCREW 11/64-40 L=7.8						1	
65		RE0800000K0		E-SHAPED SNAP RING (8MM)						2	
66		SS7110540SP		SCREW 11/64-40 L=5						3	
67		WP0621026SP		WASHER 6.2X9.5X1						1	

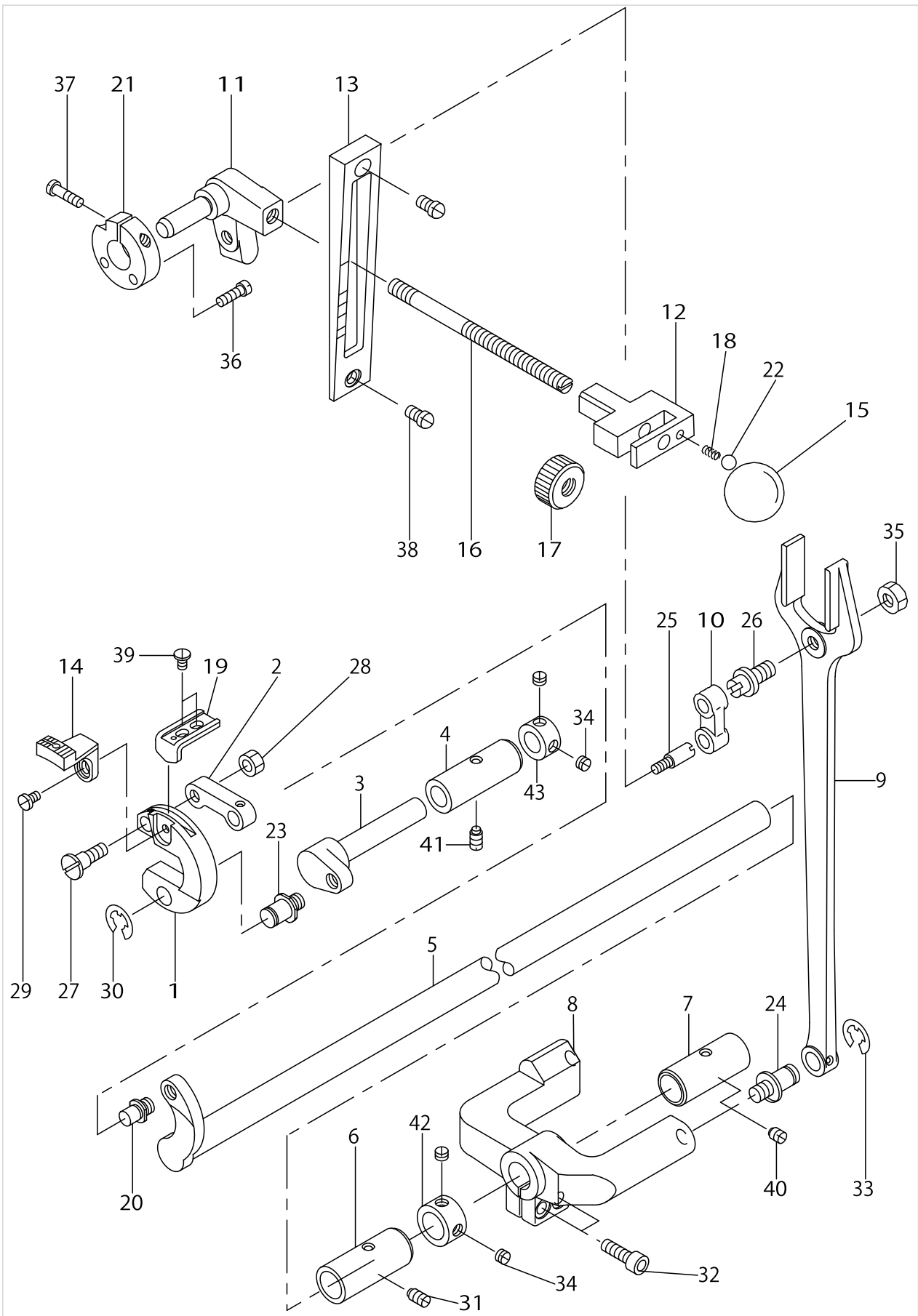
PRESSURE BAR COMPONENTS



PRESSURE BAR COMPONENTS

No.	Supply Code	Parts No.	Replacement	Parts name	Remarks	Choice	Step	Level	Cons	Qty	Rep. QTY
1		21050505		PRESSER BAR						1	
2		21050604		PRESSER BAR BUSHING						1	
3		21050703		SCREW						1	
4		21050802		SPRING						1	
5		21095005		PRESSER BAR GUIDE BRACKET						1	
6		21051008		HAND LIFTER LINK						1	
7		21051107		HAND LIFTER CAM						1	
8		21051206		HAND LIFTER LEVER						1	
9		21095153		PRESSER FOOT ASM.						1	
10	R	21095104	21095153	PRESSER FOOT				*		1	1.00
11		21097506		GUARD				*		1	
12		21051305		NUT						1	
13		21051404		GRIP						1	
14		21051503		GUIDE PLATE						1	
15		21051602		THRUST COLLAR						1	
16		21051701		ROLLER FOLLOWER						1	
17		21051800		GUIDE NUT						1	
18		SS8660512TP		SCREW 1/4-40 L=5						2	
19	R	SS8150410SP	SS8150410TP	SCREW 15/64-28 L=4						1	1.00
20		SS6121210SP		SCREW 3/16-28 L=12						2	
21		SS7091410SP		SCREW 9/64-40 L=13.5						1	
22		NS6090310SP		NUT 9/64-40						1	
23		SS6660622TP		SCREW						1	
24		SS7621040SP		SCREW 3/16-32 L=9.5						1	
25		B1662562000		COLLAR						1	
26		PS0300201KP		SPRING PIN 3.0X20						1	

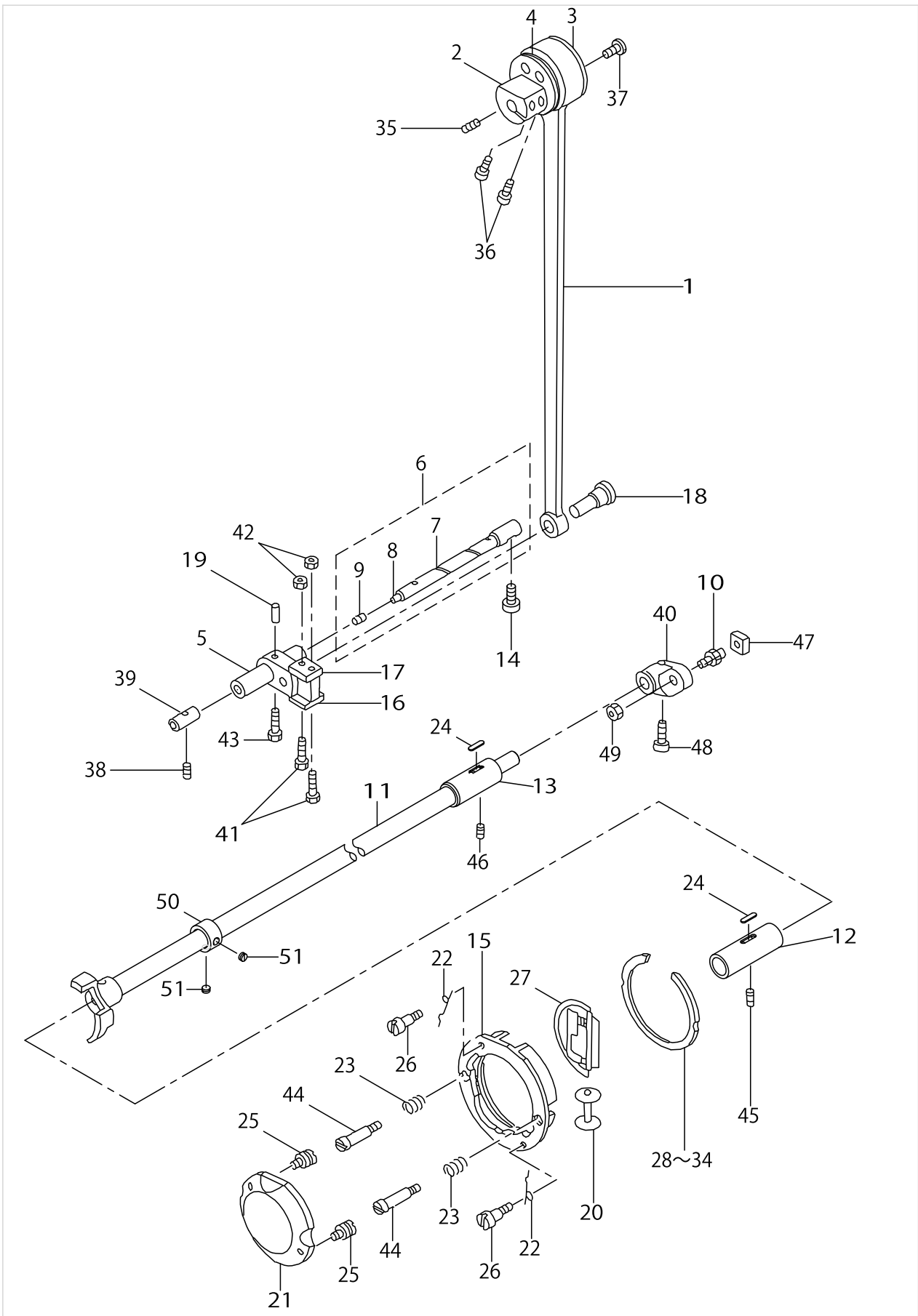
FEED MECHANISM COMPONENTS



FEED MECHANISM COMPONENTS

No.	Supply Code	Parts No.	Replacement	Parts name	Remarks	Choice	Step	Level	Cons	Qty	Rep. QTY
1		21151907		FEED BAR						1	
2		21152004		FEED BAR LINK						1	
3		21182704		FEED LIFTING ROCK SHAFT						1	
4		21182803		BUSHING						1	
5		40039624		HORIZONTAL FEED SHAFT ASM.						1	
6		21182506		BUSHING, FRONT						1	
7		21182605		BUSHING, REAR						1	
8		21182308		FEED ROCK SHAFT CRANK						1	
9		21152707		ROD						1	
10		B1619241H00		FEED CONNECTING LINK						1	
11		21152806		FEED REGULATOR						1	
12		21054606		LEVER						1	
13		21152905		SIDE COVER						1	
14		21162300		FEED DOG						1	
15		21054507		LEVER GRIP						1	
16		21054408		LEVER SHAFT						1	
17		21054705		NUT						1	
18		21054804		SPRING						1	
19		21153705		FEED BAR PRESSURE						1	
20		21153804		HINGE SCREW						1	
21		21153903		SUPPORT PLATE						1	
22		21054903		BALL						1	
23		21026901		HINGE SCREW						1	
24		B1424158000		HINGE SCREW						1	
25		B1617241H00		HINGE SCREW, A						1	
26		B1618241H00		HINGE SCREW, B						1	
27		SD0790801SP		HINGE SCREW D=7.94 H=8						1	
28		NS6160520SP		NUT 1/4-24						1	
29		SS7110840SP		SCREW 11/64-40 L=7.8						1	
30		RE0800000K0		E-SHAPED SNAP RING (8MM)						1	
31	R	SS8151150SP	SS8151150TP	SCREW 15/64-28 L=10.5						1	1.00
32		SM6061802TP		SCREW M6 L=18						2	
33		RE0700000K0		E-RING 7						1	
34		SS8660330SP		SCREW 1/4-40 L= 3.0						4	
35		NS6680410SP		NUT 9/32-28						1	
36		SS6121610TP		SCREW 3/16-28 L=15.5						2	
37		SS6621840SP		SCREW 3/16-32 L=18.0						1	
38		SS7150740SP		SCREW 15/64-28 L=7						2	
39		SS6110610TP		SCREW 11/64-40 L=6						2	
40		SS8150750SP		SCREW 15/64-28 L=7						1	
41	R	SS8151150SP	SS8151150TP	SCREW 15/64-28 L=10.5						1	1.00
42	R	22904106	22904155	MAIN SHAFT THRUST COLLAR						1	1.00
43		CS1111019SH		THRUST COLLAR D=11.11 W=10						1	

HOOK DRIVING SHAFT COMPONENTS

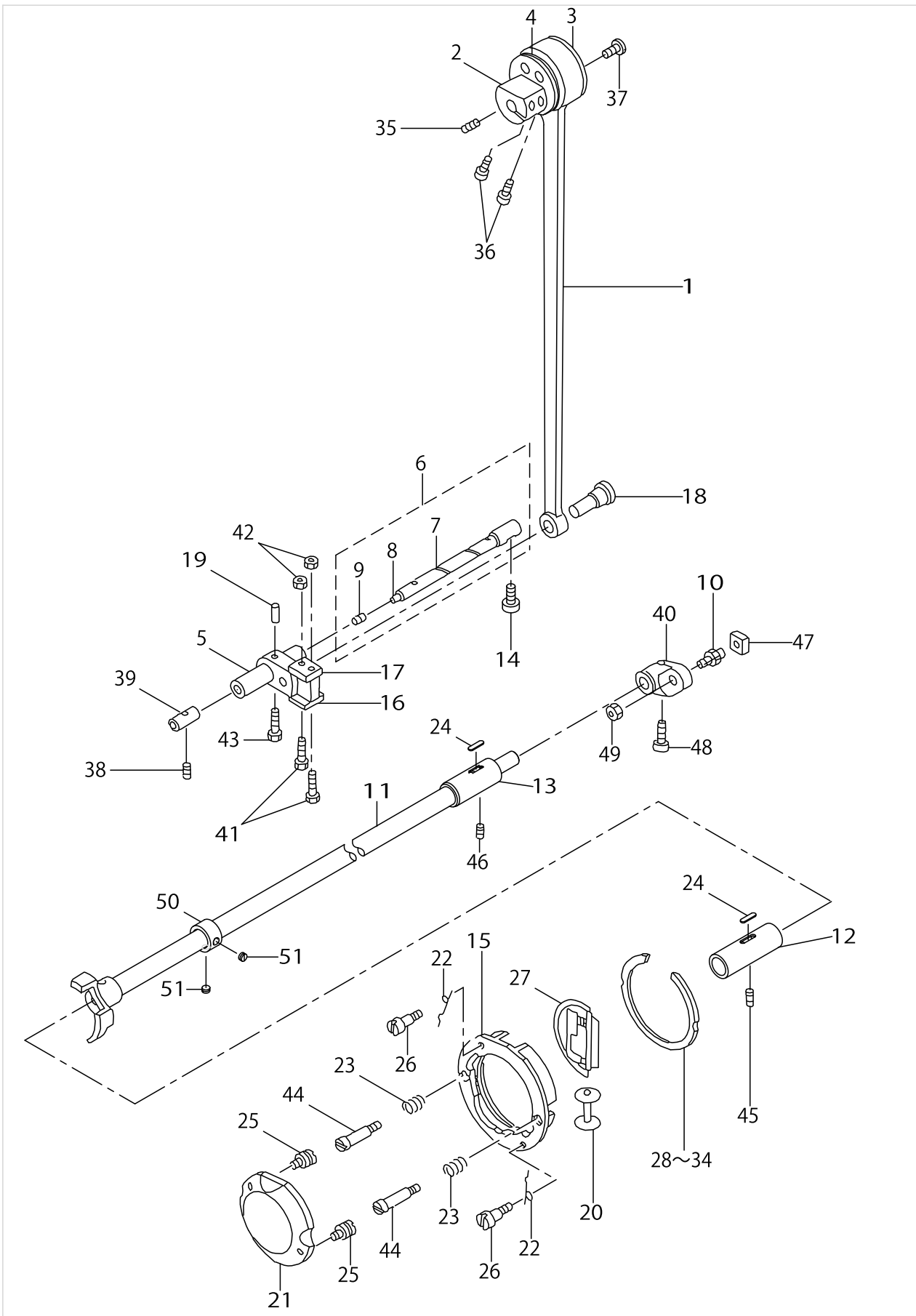


HOOK DRIVING SHAFT COMPONENTS

No.	Supply Code	Parts No.	Replacement	Parts name	Remarks	Choice	Step	Level	Cons	Qty	Rep. QTY
1		21055504		CONNECTING ROD						1	
2		21055603		CON-ROD ECCENTRIC CAM						1	
3		21055702		CAM SLIDE PLATE						1	
4		21057609		CAGE & ROLLER						1	
5		21055801		OSCILATING ROCK SHAFT						1	
6		21154059		OSCILATING ROCK SHAFT ASM.						1	
7		21154000		HINGE PIN				*		1	
8		CQ303000000		OIL WICK				*		0.1	
9		TA0290301M0		RUBBER PLUG				*		1	
10		21056312		ROLLER STUD						1	
11		40183642		HOOK_DRIVING_SHAFT_ASM						1	
12		21183207		BUSHING, FRONT						1	
13		21183306		BUSHING, REAR						1	
14		SS6151142TP		SCREW 15/64-28 L=10.5						1	
15		21154703		SHUTTLE RACE BODY						1	
16		21057005		SLIDE PLATE A						1	
17		21057104		SLIDE PLATE B						1	
18		21057203		CON-ROD PIN						1	
19		21057302		CON-ROD PIN WEDGE						1	
20		21057401		BOBBIN						1	
21		21154802		HOOK COVER						1	
22		21154901		HOOK COVER SPRING						2	
23		21057500		HOOK COUNTER SPRING						2	
24		B1806038000		OIL FELT						2	
25		21155007		SCREW						2	
26		SD0260271SP		HINGE SCREW D= 2.60 H= 2.7						2	
27		21041850		HOOK ASM.						1	
28		21155106		MIKAZUKI (1)	SELECTIVE PARTS					1	
29		21155205		MIKAZUKI (2)	SELECTIVE PARTS					1	
30		21155304		MIKAZUKI (3)	SELECTIVE PARTS					1	
31		21155403		MIKAZUKI (4) STANDARD	SELECTIVE PARTS					1	
32		21155502		MIKAZUKI (5)	SELECTIVE PARTS					1	
33		21155601		MIKAZUKI (6)	SELECTIVE PARTS					1	
34		21155700		MIKAZUKI (7)	SELECTIVE PARTS					1	
35		SS8151550SP		SCREW 15/64-28 L=15						1	
36		SM6081802TP		SCREW						2	
37		SS7110830SP		SCREW 11/64-40 L= 7.5						2	
38		SS8150750SP		SCREW 15/64-28 L=7						1	
39		21154109		ROCK SHAFT BUSHING						1	
40		21154216		OSCILLATOR						1	
41		21057708		SCREW						2	
42		NS6110420SP		NUT 11/64-40						2	
43		SS7621510SP		SCREW						1	
44		21057906		SCREW						2	
45		SS8151550SP		SCREW 15/64-28 L=15						1	
46		SS8151550SP		SCREW 15/64-28 L=15						1	



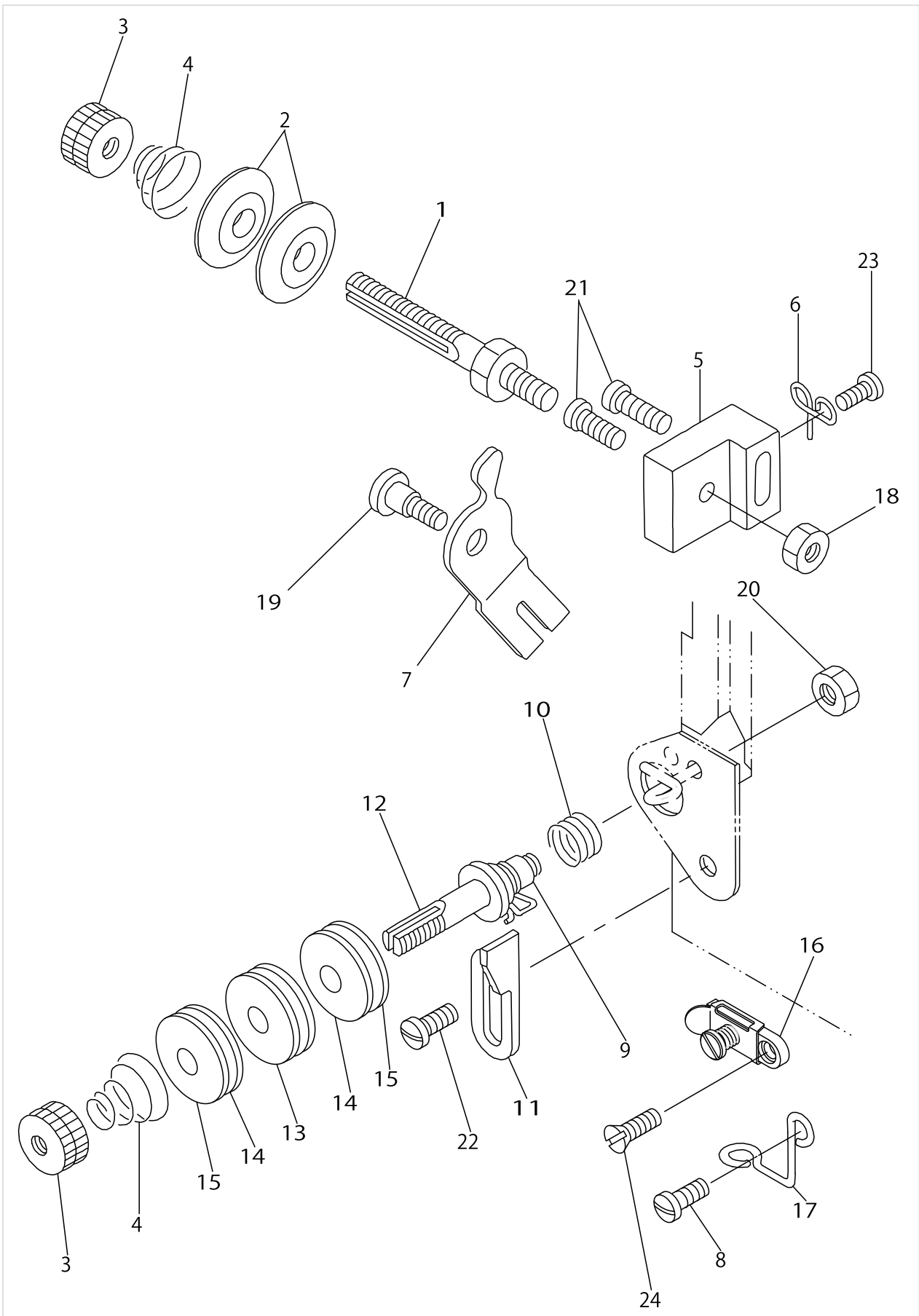
# HOOK DRIVING SHAFT COMPONENTS



HOOK DRIVING SHAFT COMPONENTS

No.	Supply Code	Parts No.	Replacement	Parts name	Remarks	Choice	Step	Level	Cons	Qty	Rep. QTY
47		21056205		CRANK SLIDE BLOCK						1	
48		SM6081802TP		SCREW						1	
49		NS6680320SP		NUT 9/32-28						1	
50	R	22904106	22904155	MAIN SHAFT THRUST COLLAR						1	1.00
51		SS8660330SP		SCREW 1/4-40 L= 3.0						2	

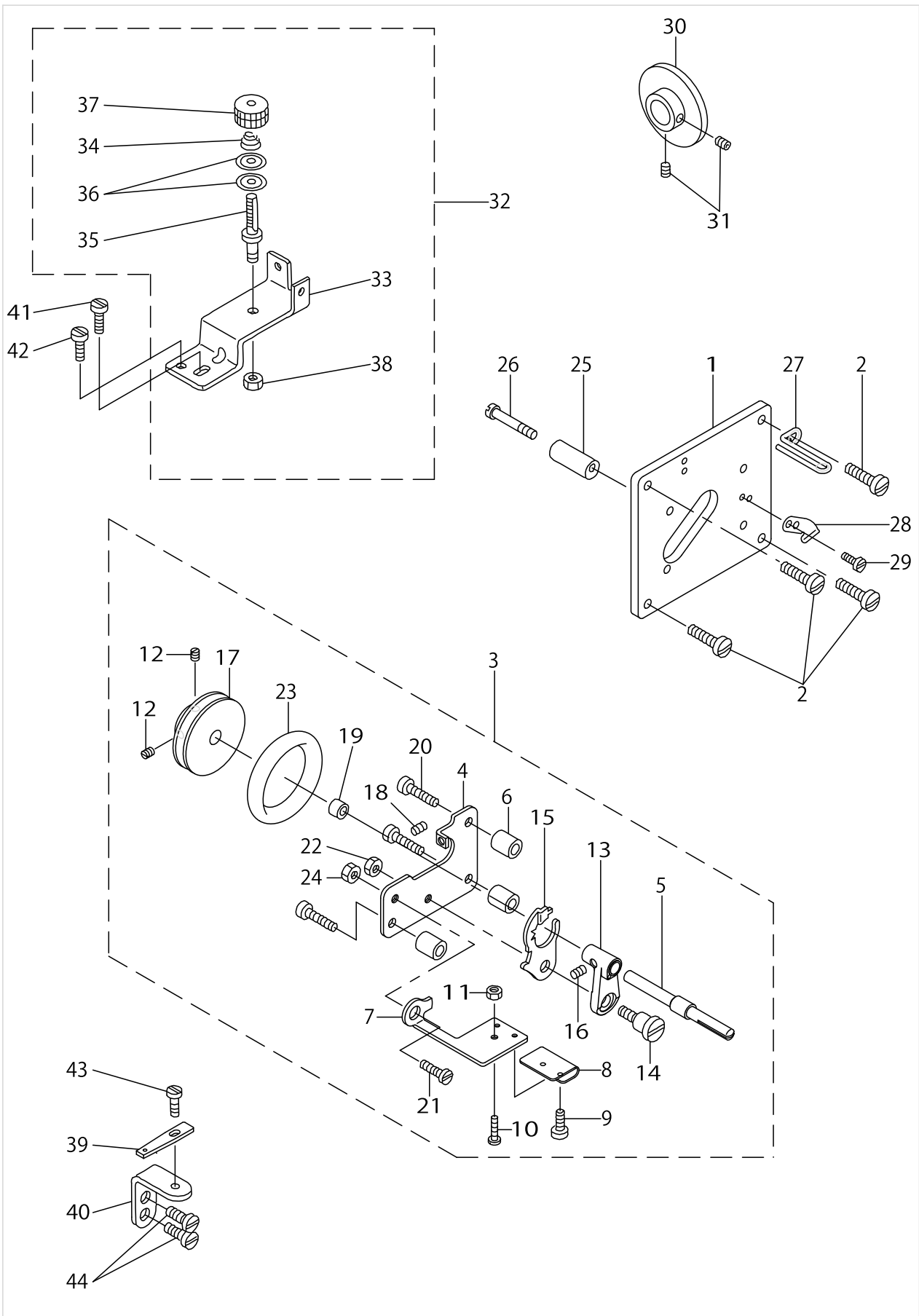
TENSION POST COMPONENTS



TENSION POST COMPONENTS

No.	Supply Code	Parts No.	Replacement	Parts name	Remarks	Choice	Step	Level	Cons	Qty	Rep. QTY
1		21059001		THREAD TENSION POST						1	
2	R	B3126012000	22921506	THREAD TENSION DISK						2	1.00
3	R	B3125012000	22928808	THREAD TENSION NUT						2	1.00
4		21059100		THREAD TENSION SPRING						2	
5		21059209		THREAD TENSION POST BRACKET						1	
6		21059308		THREAD TENSION GUIDE						1	
7		21059407		THREAD RELEASING PLATE						1	
8		SS7090710SP		SCREW 9/64-40 L=6.8						1	
9		21059605		SPRING A						1	
10		21059704		THREAD TAKE-UP SPRING GUIDE						1	
11		21059803		SPRING SUPPORT PLATE						1	
12		21059902		THREAD TENSION WHEEL POST						1	
13		21060009		THREAD TENSION WHEEL						1	
14		21060108		WHEEL FELT						2	
15		21060207		FELT SUPPORT PLATE						2	
16		21161153		ARM THREAD GUIDE ASM., LOWER						1	
17		B1131562000		FRAME THREAD GUIDE, LOWER						1	
18		NS6680320SP		NUT 9/32-28						1	
19		SD0600321SP		HINGE SCREW D=6 H=3.2						1	
20		NS6150310SP		NUT 15/64-28						1	
21	R	SS7111120SP	SS7111120TP	SCREW 11/64-40 L=10.5						2	1.00
22		SS7090610SP		SCREW 9/64-40 L=6						1	
23		SS7090710SP		SCREW 9/64-40 L=6.8						1	
24		SS1090410SL		SCREW 9/64-40 L=4						1	

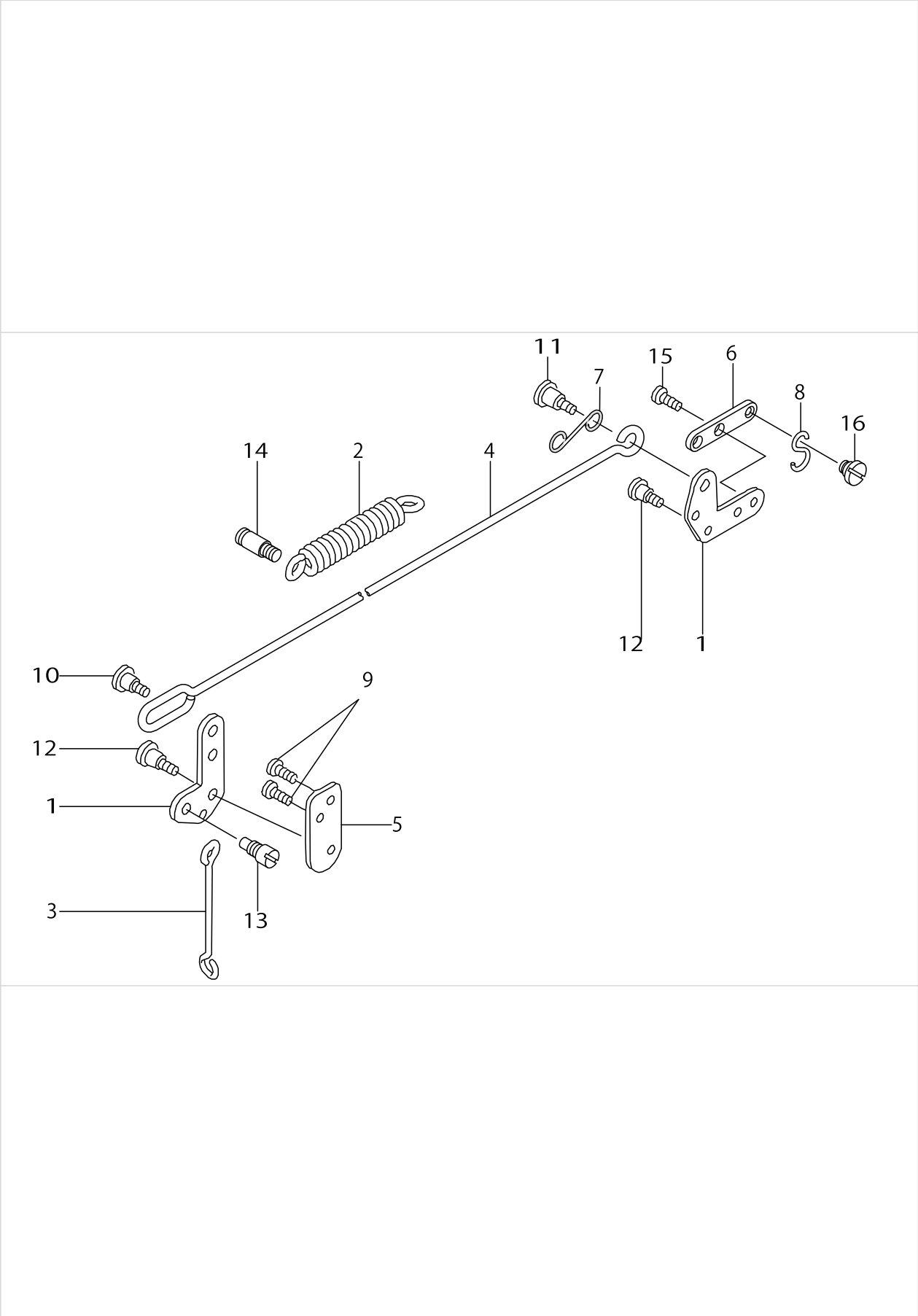
THREAD WINDER & THREAD GUIDE COMPONENTS



THREAD WINDER & THREAD GUIDE COMPONENTS

No.	Supply Code	Parts No.	Replacement	Parts name	Remarks	Choice	Step	Level	Cons	Qty	Rep. QTY
1		21067905		THREAD WINDOW PLATE						1	
2	R	SS7111120SP	SS7111120TP	SCREW 11/64-40 L=10.5						4	1.00
3		21061056		THREAD WINDER ASM.						1	
4	D	B3201158000		THREAD WINDER BASE				*		1	
5		21061015		BOBBIN WINDER SPINDLE				*		1	
6		B3203158000		WASHER				*		3	
7		21061106		BOBBIN PRESSER				*		1	
8		21061205		BOBBIN PRESSURE SPRING				*		1	
9		SS5060410SP		SCREW 3/32-56 L=3.5				*		2	
10		SS7081310SP		SCREW 1/8-44 L=12.5				*		1	
11		NS6080210SP		NUT 1/8-44				*		1	
12	R	SS8110510SP	SS8110520TP	SCREW 11/64-40 L=5				*		2	1.00
13		B3204232000		BOBBIN WINDER FRAME				*		1	
14		B3205232000		HINGE SCREW,				*		1	
15		B3206232000		BOBBIN WINDER TE- NSION BRACKET				*		1	
16		B3208232000		SPRING				*		1	
17		B3211210000		BOBBIN WINDER WHEEL				*		1	
18		A3222958000		BOBBIN WINDER SPRING, LONG				*		1	
19		B3207158000A		THREAD WIDING SHAFT COLLAR				*		1	
20	R	SS7111810SP	SS7111810TP	SCREW 11/64-40 L=18				*		3	1.00
21		SD0720193SP		HINGE SCREW D= 7.24 H= 1.9				*		1	
22		NS6110310SP		NUT 11/64-40				*		1	
23		B3212210000		FRICTION WHEEL				*		1	
24		NS6110310SP		NUT 11/64-40				*		1	
25		21061403		STOPPER						1	
26		SS7112810SP		SCREW 11/64-40 L=28						1	
27		21184007		TENSION THREAD GUIDE, B						1	
28		10502300		THREAD CUTTER						1	
29		SS6080410SP		SCREW 1/8-44 L=4						2	
30		21061601		FRICTION WHEEL						1	
31	R	SS8150710SP	SS8150710TP	SCREW 15/64-28 L=7						2	1.00
32		21061759		THREAD WINDER G- UIDE BASE ASM.						1	
33	R	21061700	21061759	THREAD WINDER GUIDE BASE				*		1	1.00
34	R	B3129012B00	22929004	THREAD TENSION SPRING				*		1	1.00
35		21059001		THREAD TENSION POST				*		1	
36	R	B3126012000	22921506	THREAD TENSION DISK				*		1	1.00
37	R	B3125012000	22928808	THREAD TENSION NUT				*		1	1.00
38		NS6680320SP		NUT 9/32-28				*		1	
39		B2510158000		THREAD WINDER THREAD GUIDE						1	
40		21061908		GUIDE BRACKET						1	
41	R	SS7110910SP	SS7110910TP	SCREW 11/64-40 L=8.5						1	1.00
42	R	SS4080610SP	SS4080620TP	SCREW 1/8-44 L=6.4						1	1.00
43		SS7090710SP		SCREW 9/64-40 L=6.8						1	
44		SS7151120SP		SCREW 15/64-28 L=11						2	

KNEE LIFTER COMPONENTS

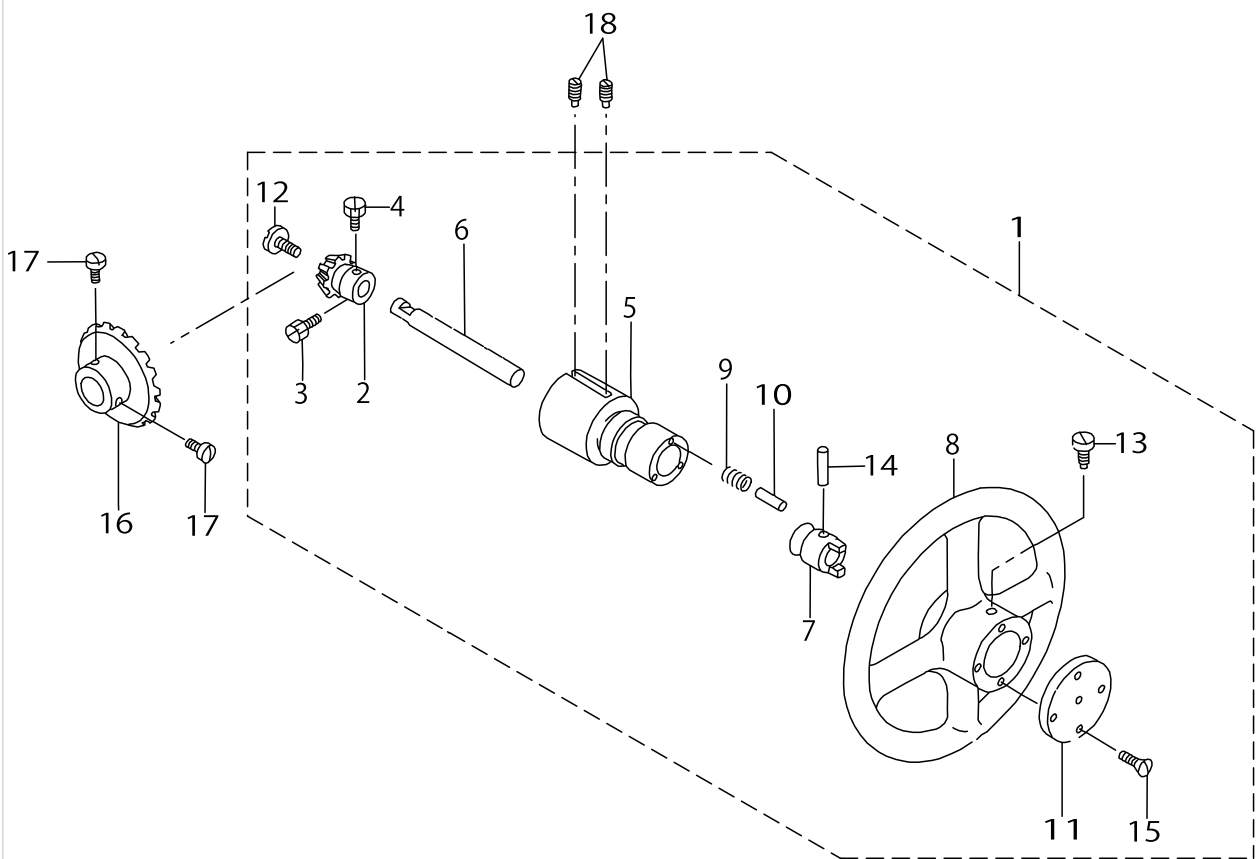


KNEE LIFTER COMPONENTS

No.	Supply Code	Parts No.	Replacement	Parts name	Remarks	Choice	Step	Level	Cons	Qty	Rep. QTY
1		21062807		PRESSER BAR LIFTING LINK						2	
2		B1342591000		PRESSER BAR LIFTING ARM SPRING						1	
3		21062500		PRESSER BAR LIFTING BAR						1	
4		21184106		LIFTING LEVER CONNECTING ROD						1	
5		21062708		LINK BASE						1	
6		21156104		LINK PLATE						1	
7		21184205		SPRING BRACKET, B						1	
8		21157607		S-PLUG						1	
9		SS7150740SP		SCREW 15/64-28 L=7						2	
10		SD0790431SP		HINGE SCREW D= 7.94 H= 4.3						1	
11		SD0790602SP		HINGE SCREW D= 7.94 H= 6						1	
12		SD0790431SP		HINGE SCREW D= 7.94 H= 4.3						2	
13		21062609		HINGE SCREW						1	
14		B3413227000		SPRINGSUSPENSION						1	
15		SS7150740SP		SCREW 15/64-28 L=7						2	
16		SD0800341SP		HINGE SCREW D=8 H=3.4						1	



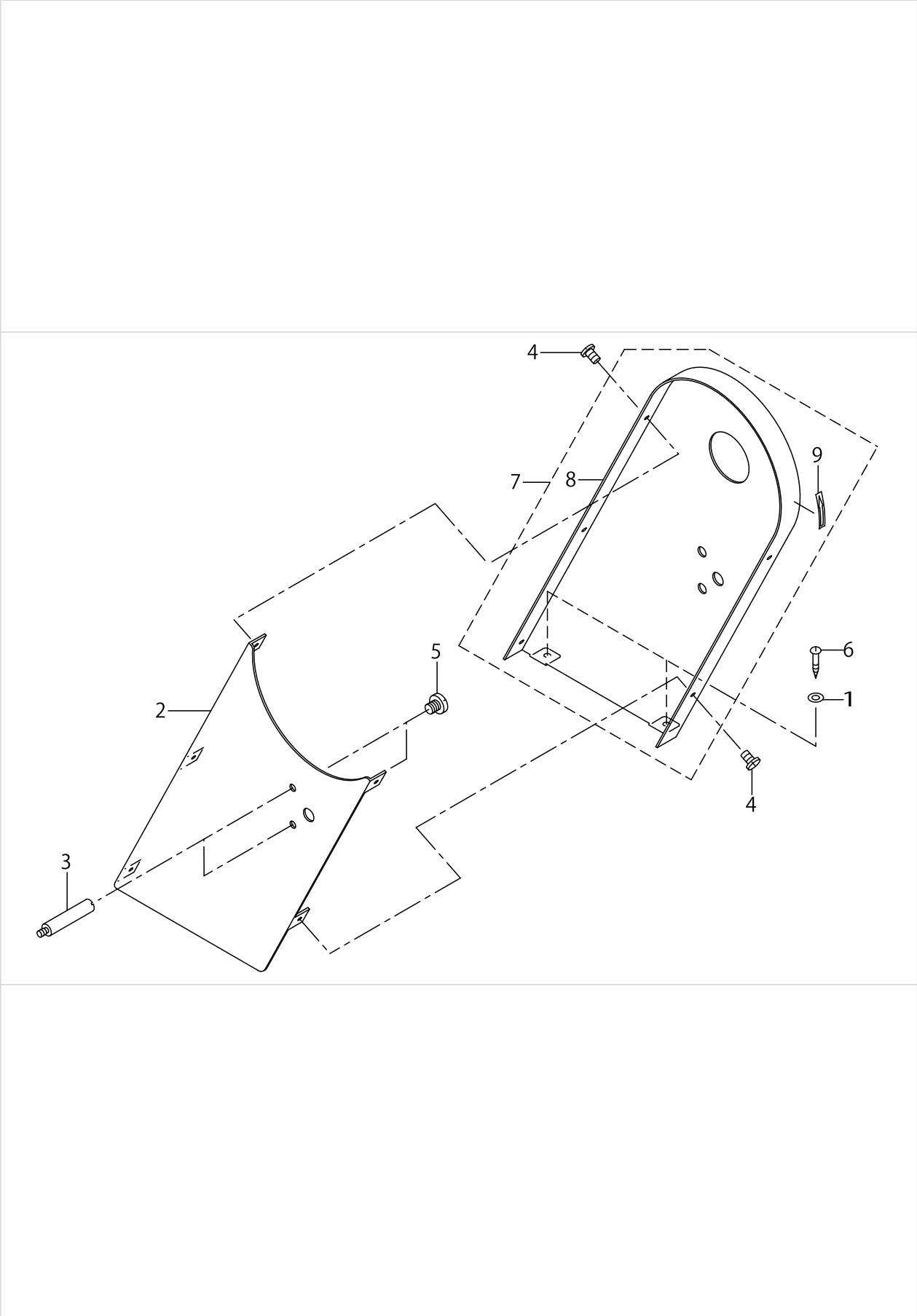
AUXILIARY HAND WHEEL COMPONENTS



AUXILIARY HAND WHEEL COMPONENTS

No.	Supply Code	Parts No.	Replacement	Parts name	Remarks	Choice	Step	Level	Cons	Qty	Rep. QTY
1		21184650		HAND WHEEL ASM.						1	
2		21184908		GEAR				*		1	
3		SS9660910SP		SCREW 1/4-40 L=9.4				*		1	
4		SS9660720SP		SCREW 1/4-40 L=7				*		1	
5		21184809		BUSHING				*		1	
6		21184700		SHAFT				*		1	
7		B1297057000		COLLAR				*		1	
8		B129905700A		HAND WHEEL				*		1	
9		B1290057B00		SPRING				*		3	
10		B1290057A00		PIN				*		3	
11		B1296057000		THRUST PLATE				*		1	
12		SS7680870SP		SCREW 9/32 L= 8.0				*		1	
13		SS7110610SM		SCREW 11/64-40 L=6				*		1	
14		PS0400202KH		SPRING PIN 4X20				*		1	
15	R	SS2090710SP	SS2090710TP	SCREW 9/64-40 L=7				*		4	1.00
16		21182001		MAIN SHAFT GEAR						1	
17		SS9661230CP		SCREW 1/4-40 L=12						2	
18		SS8681130SP		SCREW 9/32-28 L=11						2	

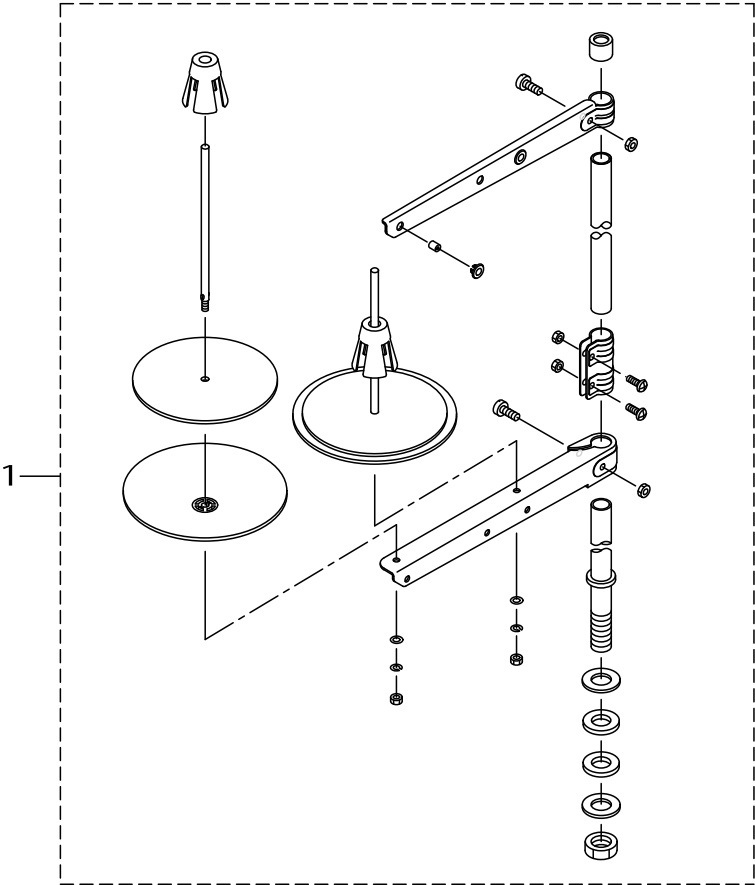
BELT COVER COMPONENTS



BELT COVER COMPONENTS

No.	Supply Code	Parts No.	Replacement	Parts name	Remarks	Choice	Step	Level	Cons	Qty	Rep. QTY
1		WP0501016SC		WASHER 5X10.5X1						2	
2		21193305		BELT COVER B						1	
3		21185301		STUD						2	
4		SS6110480SP		SCREW 11/64-40 L=4.3						5	
5		SS7150740SP		SCREW 15/64-28 L=7						2	
6	R	SK3482500SC	SK3482501SE	WOOD SCREW D=4.8 L=25						2	1.00
7		21193263		BELT COVER A COMPL.						1	
8		21193255		BELT COVER A COMPL.				*		1	
9		CM500300001		DIRECTION LABEL				*		1	

THREAD STAND COMPONENTS



THREAD STAND COMPONENTS

No.	Supply Code	Parts No.	Replacement	Parts name	Remarks	Choice	Step	Level	Cons	Qty	Rep. QTY
1		40096354		THREAD STAND ASM.						1	

TABLE COMPONENTS

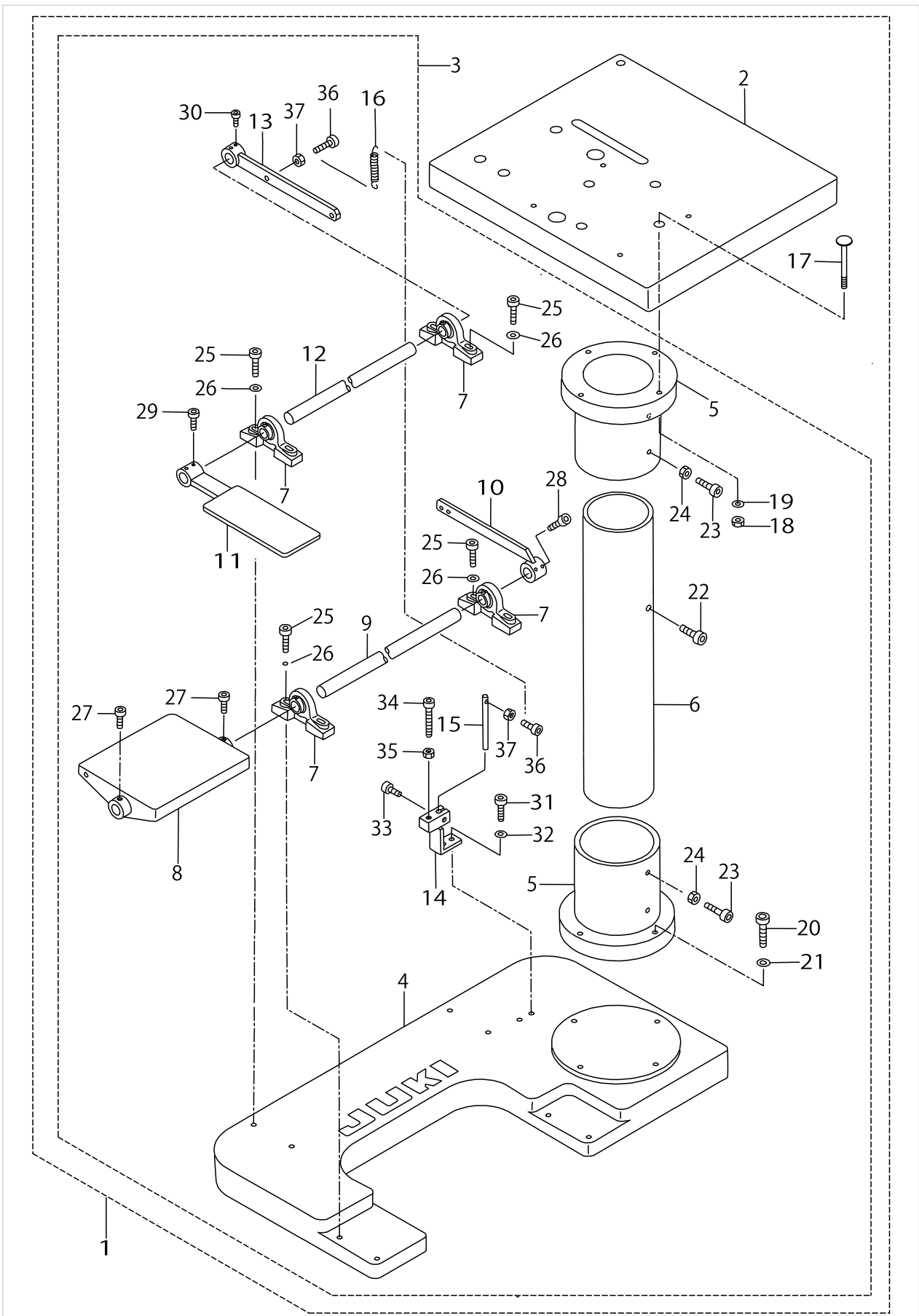
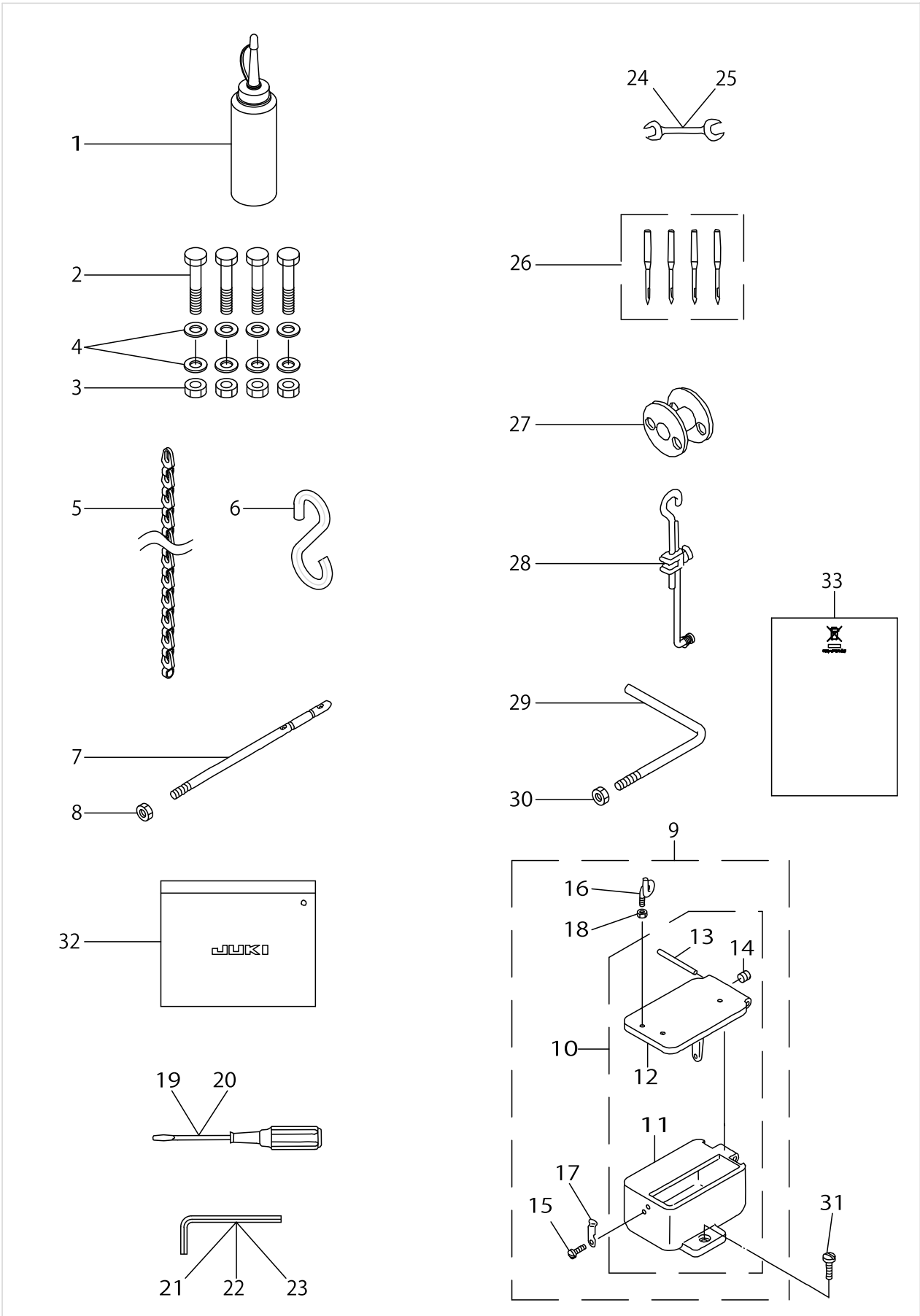


TABLE COMPONENTS

No.	Supply Code	Parts No.	Replacement	Parts name	Remarks	Choice	Step	Level	Cons	Qty	Rep. QTY
1		21193552		THREAD STAND ASM.						1	
2		21193404		TABLE				*		1	
3		21188057		STAND ASM.				*		1	
4	D	21188008		BASE				*		1	
5		21188107		FLANGE				*		2	
6		21188206		STUD				*		1	
7		21188305		PILLOW BLOCK				*		4	
8		40114102		PEDAL UNIT				*		1	
9		21188503		SHAFT				*		1	
10		21188602		ARM				*		1	
11		21188701		PRESSER BAR LIFTING PEDAL				*		1	
12		21188800		PRESSER BAR LIFTING PIN				*		1	
13		21188909		PRESSER BAR LIFTING ARM				*		1	
14		21189006		BASE				*		1	
15		21189105		SPRING BRACKET				*		1	
16		B1342591000		PRESSER BAR LIFT- ING ARM SPRING				*		1	
17		21189212		BOLT				*		4	
18		NM6080006SB		NUT M8				*		4	
19		WP0851846SC		WASHER 8.5X22.0X1.8				*		4	
20		SM6124002TP		SCREW M12 L=40				*		4	
21		WP1202016SD		WASHER 12X21X2				*		4	
22		SM6060802TP		SCREW M6 L=8				*		1	
23	D	SM6123002TP		SCREW M12 L=30				*		4	
24	D	NM6120000SD		NUT M12				*		4	
25		SM6103502TP		SCREW M10 L=35				*		8	
26		WP1102016SC		WASHER 11X21X2				*		8	
27	R	SM6061552TP	SM6061552SP	SCREW M6 L=15				*		2	1.00
28	R	SM6061552TP	SM6061552SP	SCREW M6 L=15				*		2	1.00
29	R	SM6061552TP	SM6061552SP	SCREW M6 L=15				*		2	1.00
30	R	SM6061552TP	SM6061552SP	SCREW M6 L=15				*		2	1.00
31	R	SM6061552TP	SM6061552SP	SCREW M6 L=15				*		2	1.00
32		WP0650876SD		WASHER 6.5X13X0.8				*		2	
33	R	SM6062202TP	SM6062502TP	BOLT				*		1	1.00
34		SM6125002TP		SCREW				*		1	
35	D	NM6120000SD		NUT M12				*		1	
36		SM6051552TP		SCREW M5 L=15				*		2	
37		NM6050001SP		NUT M5				*		2	



ACCESSORIES PARTS COMPONENTS



ACCESSORIES PARTS COMPONENTS

No.	Supply Code	Parts No.	Replacement	Parts name	Remarks	Choice	Step	Level	Cons	Qty	Rep. QTY
1		B91212200A0		OILER (CONTAINING NO.2 OIL)						1	
2		SM91200D3SF		SCREW						4	
3		NM6120011SF		NUT M12						4	
4		WP1402303SF		PLAIN WASHER						8	
5		21157508		CHAIN						1	
6		21157607		S-PLUG						1	
7		40052262		THREAD GUIDE PIN						2	
8		NS6620310SP		NUT 3/16-32						2	
9		21068556		OIL POT ASM.						1	
10		21068564		OIL POT ASM.				*		1	
11	R	21064803	21064753	OIL POT				*		1	1.00
12	R	21064704	21064753	OIL POT COVER				*		1	1.00
13		PH0400402C0		PARALLEL PIN				*		1	
14		SS8090410SP		SCREW 9/64-40L=3.5				*		1	
15		SS7090710SP		SCREW 9/64-40L=6.8				*		1	
16		B3114761000		FRAME THREAD GUIDE B				*		1	
17	R	21064902	21064753	COVER STOPPER				*		1	1.00
18		NS6060350SP		NUT 3/32-56				*		1	
19		22933006		SCREW DRIVER,LARGE						1	
20		12347308		SCREW DRIVER (SMALL)						1	
21		J106600000G		HEXAGONAL WRENCH KEY						1	
22		J106600000F		HEXAGONAL WRENCH KEY						1	
23		B9141372000		HEXAGONAL WRENCH, LARGE						1	
24		26034702		WRENCH						1	
25		B9113012000		WRENCH (9X10)						1	
26	D	MC532002304		NEEDLE (794 NM=230-4)						1	
27		21057401		BOBBIN						3	
28		B71140120A0		MOTOR CONNECTING ROD ASM.	H & M ONLY					1	
29		21064605		SUPPORTING ARM	OPTIONAL PARTS					1	
30		NS6150430SP		NUT 15/64-28	OPTIONAL PARTS					1	
31		SS7151210SP		SCREW 15/64-28L=12						1	
32		22932800		ACCESSORIE BAG						1	
33		CM600100201		WEEE INFORMATION SHEET						1	

LIST FOR INFORMATION OF CHANGE

As to the place changed, refer to the corresponding Rev.No.  
 When previous parts(Obsoleted part) and new parts(Added parts) are not interchangeable with each other:  
 In this case, even obsoleted parts(D.) can be ordered with the obsoleted part number, so select the parts with changed dates and place your orders.

変更箇所は、該当Rev.No.版をご参照ください。  
 部品の互換性がない変更の場合は、削除された品番でも、ご注文できます。

29027604  
 No.0612-05 Rev.No.

\*A:Added parts追加部品/D:Obsoleted parts削除部品/E:Erratum訂正

* Rev. No.	Page 頁	Ref. No.	Parts No. 品番	* Rev. No.	Page 頁	Ref. No.	Parts No. 品番	
				A	05	1	24	210-97605
				A	05	1	25	SS-7150740-SP
				A	05	1	26	210-59514
D	04	10	11					211-83108
				A	05	10	11	401-83642
D	04	10	14					211-63001
D	04	10	47					PT-0401800-S0
D	04	18	1	A	05	18	1	229-30358
D	04	18	-					No.2~No.20
D	04	20	8	A	05	20	8	211-88404
D	04	22	7	A	05	22	7	B1114-517-000
D	04	22	23	A	05	22	23	J1066-000-00D
D	04	22	24	A	05	22	24	B9112-012-000
D	04	22	32	A	05	22	32	B9101-552-000

## HOW TO MAKE USE OF THIS PARTS LIST

### 1.Explanation of codes

1)"\*"mark.....means this part is changed from the previous parts book.

As to the details of the change, refer to the "List for information of change".

2)"#01".....refer to "Note" explanation at bottom of page.

### 2.Codes on the "Qty" column

- Each numeral indicates the number of parts required.
- "0.1" and "2.5" indicate the length (in meters) of the respective parts.

3.Parentheses mean that the corresponding part is a subpart that constructs an assembly part.

4.Dotted lines on the Figures indicate assembly parts.

### 1."注記"欄の記号説明

1) "\*"印.....前回のパーツブックに比較して今回変更された部品を意味します。

変更内容は、"変更情報リスト"を参照してください。

2) "#01".....ページ下の"注記"の説明を参照してください。

2.数量欄の数字は、個数を表し、0.1、2.5等の数値は、長さ（単位メートル）を表します。

3.数量欄の（ ）は、組部品を構成している子部品であることを意味します。

4.イラストページの-----枠は、組構成であることを意味します。

# NUMERICAL INDEX OF PARTS

PART NO	PAGE	REF NO.	PART NO	PAGE	REF NO.	PART NO	PAGE	REF NO.
10502300	20	28	21055603	14	2	21064902	32	17
12347308	32	20	21055702	14	3	21067905	20	1
21026901	12	23	21055801	14	5	21068556	32	9
21041850	14	27	21056205	16	47	21068564	32	10
21045109	4	9	21056312	14	10	21091707	4	8
21045406	4	11	21057005	14	16	21091806	4	25
21045505	4	14	21057104	14	17	21092002	6	1
21045604	4	10	21057203	14	18	21092101	6	2
21046008	4	26~ 28·33	21057302	14	19	21092200	6	3
21046107	4	26~ 28·33	21057401	14	20	21092309	6	4
21046206	4	26~ 28·33	21057401	32	27	21092408	6	6
21046313	4	29	21057500	14	23	21092804	6	9
21048707	6	51	21057609	14	4	21093000	6	12
21048707	8	51	21057708	14	41	21093208	6	15
21049309	6	41	21057906	14	44	21093307	6	16
21049408	6	42	21059001	18	1	21093406	6	17
21049515	6	43	21059001	20	35	21093505	6	18
21049606	6	44	21059100	18	4	21093604	6	19
21049705	6	45	21059209	18	5	21093901	8	52
21049804	6	46	21059308	18	6	21094008	8	53
21049903	8	47	21059407	18	7	21094107	8	54
21050000	8	48	21059514	2	26	21094701	8	55
21050109	8	49	21059605	18	9	21094800	8	56
21050505	10	1	21059704	18	10	21094909	8	57
21050604	10	2	21059803	18	11	21095005	10	5
21050703	10	3	21059902	18	12	21095104	10	10
21050802	10	4	21060009	18	13	21095153	10	9
21051008	10	6	21060108	18	14	21096359	2	1
21051107	10	7	21060207	18	15	21097506	10	11
21051206	10	8	21061015	20	5	21097605	2	24
21051305	10	12	21061056	20	3	21148507	2	2
21051404	10	13	21061106	20	7	21151402	4	13
21051503	10	14	21061205	20	8	21151907	12	1
21051602	10	15	21061403	20	25	21152004	12	2
21051701	10	16	21061601	20	30	21152707	12	9
21051800	10	17	21061700	20	33	21152806	12	11
21054408	12	16	21061759	20	32	21152905	12	13
21054507	12	15	21061908	20	40	21153705	12	19
21054606	12	12	21062500	22	3	21153804	12	20
21054705	12	17	21062609	22	13	21153903	12	21
21054804	12	18	21062708	22	5	21154000	14	7
21054903	12	22	21062807	22	1	21154059	14	6
21055504	14	1	21064605	32	29	21154109	14	39
			21064704	32	12	21154216	14	40
			21064803	32	11	21154703	14	15

# NUMERICAL INDEX OF PARTS

PART NO	PAGE	REF NO.	PART NO	PAGE	REF NO.	PART NO	PAGE	REF NO.
21154802	14	21	21184809	24	5	B1297057000	24	7
21154901	14	22	21184908	24	2	B129905700A	24	8
21155007	14	25	21185301	26	3	B1342591000	22	2
21155106	14	28~34	21188008	30	4	B1342591000	30	16
21155205	14	28~34	21188057	30	3	B1424158000	6	36
21155304	14	28~34	21188107	30	5	B1424158000	12	24
21155403	14	28~34	21188206	30	6	B1617241H00	12	25
21155502	14	28~34	21188305	30	7	B1618241H00	12	26
21155601	14	28~34	21188503	30	9	B1619241H00	12	10
21155700	14	28~34	21188602	30	10	B1662562000	10	25
21156104	22	6	21188701	30	11	B1806038000	14	24
21157508	32	5	21188800	30	12	B2510158000	20	39
21157607	22	8	21188909	30	13	B3114761000	32	16
21157607	32	6	21189006	30	14	B3125012000	18	3
21160205	2	6	21189105	30	15	B3125012000	20	37
21160304	2	20	21189212	30	17	B3126012000	18	2
21161153	18	16	21192703	2	3	B3126012000	20	36
21161617	6	10	21192802	2	4	B3129012B00	20	34
21161708	6	11	21192901	2	5	B3201158000	20	4
21161807	6	14	21193057	4	2	B3203158000	20	6
21162300	12	14	21193255	26	8	B3204232000	20	13
21180609	2	7	21193263	26	7	B3205232000	20	14
21181102	4	1	21193305	26	2	B3206232000	20	15
21181300	4	3	21193404	30	2	B3207158000A	20	19
21181409	4	4	21193552	30	1	B3208232000	20	16
21181508	4	5	22901805	2	22	B3211210000	20	17
21181607	4	6	22904106	12	42	B3212210000	20	23
21181706	4	7	22904106	16	50	B3413227000	22	14
21181805	4	12	22932800	32	32	B71140120A0	32	28
21181904	6	40	22933006	32	19	B9113012000	32	25
21182001	24	16	26034702	32	24	B91212200A0	32	1
21182100	6	7	40027078	4	26~ 28·33	B9141372000	32	23
21182209	6	8	40039624	12	5	CM300200001	2	23
21182308	12	8	40052262	32	7	CM301200002	2	21
21182506	12	6	40096354	28	1	CM500300001	26	9
21182605	12	7	40114102	30	8	CM600100201	32	33
21182704	12	3	40183642	14	11	CQ202000000	4	16
21182803	12	4	A3222958000	20	18	CQ202000000	6	39
21183207	14	12	A3243997C00	2	9	CQ303000000	14	8
21183306	14	13	B1131562000	18	17	CS1111019SH	12	43
21184007	20	27	B1152051000	2	19	CS1801211SH	6	20
21184106	22	4	B1290057A00	24	10	D2446141E00	6	28
21184205	22	7	B1290057B00	24	9	J106600000F	32	22
21184650	24	1	B1296057000	24	11	J106600000G	32	21
21184700	24	6				MC532002300	6	5

NUMERICAL INDEX OF PARTS

PART NO	PAGE	REF NO.	PART NO	PAGE	REF NO.	PART NO	PAGE	REF NO.
MC532002304	32	26	SM6061650TP	6	32	SS7111120SP	6	34
NM6050001SP	30	37	SM6061802TP	12	32	SS7111120SP	18	21
NM6080006SB	30	18	SM6062202TP	30	33	SS7111120SP	20	2
NM6120000SD	30	35	SM6081802TP	6	60	SS7111810SP	20	20
NM6120011SF	32	3	SM6081802TP	8	60	SS7112810SP	20	26
NS6060350SP	32	18	SM6081802TP	14	48	SS7120910SP	2	17
NS6080210SP	20	11	SM6081802TP	16	48	SS7150740SP	2	25
NS6090310SP	10	22	SM6082502TP	6	26	SS7150740SP	12	38
NS6110310SP	20	24	SM6103502TP	30	25	SS7150740SP	22	15
NS6110420SP	14	42	SM6123002TP	30	23	SS7150740SP	26	5
NS6150310SP	18	20	SM6124002TP	30	20	SS7151120SP	6	35
NS6150430SP	32	30	SM6125002TP	30	34	SS7151120SP	20	44
NS6160520SP	12	28	SM8061212TP	6	33	SS7151210SP	32	31
NS6620310SP	32	8	SM91200D3SF	32	2	SS7151550SP	6	24
NS6680320SP	16	49	SS1090410SL	18	24	SS7621040SP	10	24
NS6680320SP	18	18	SS1681140SP	4	21	SS7621510SP	14	43
NS6680320SP	20	38	SS2090710SP	24	15	SS7680870SP	24	12
NS6680410SP	4	32	SS2110915SP	4	24	SS8090410SP	32	14
NS6680410SP	12	35	SS4080610SP	20	42	SS8110510SP	20	12
NS6720440SP	8	61	SS5060410SP	20	9	SS8150410SP	10	19
PH0400402C0	32	13	SS6080410SP	20	29	SS8150710SP	4	23
PS0300201KP	10	26	SS6110480SP	26	4	SS8150710SP	6	62
PS0400202KH	24	14	SS6110610TP	12	39	SS8150710SP	8	62
PS0500452KP	2	10	SS6110710TP	6	30	SS8150710SP	20	31
PT0405600SH	4	20	SS6121210SP	10	20	SS8150750SP	12	40
RE0400000K0	4	31	SS6121610TP	12	36	SS8150750SP	14	38
RE0700000K0	6	37	SS6151142TP	14	14	SS8151150SP	12	41
RE0700000K0	12	33	SS6151920SP	2	11	SS8151550SP	4	17
RE0800000K0	6	65	SS6621840SP	12	37	SS8151550SP	14	46
RE0800000K0	8	65	SS6660622TP	10	23	SS8660330SP	12	34
RE0800000K0	12	30	SS7081310SP	20	10	SS8660330SP	16	51
SD0260271SP	14	26	SS7090610SP	18	22	SS8660512TP	6	31
SD0600321SP	18	19	SS7090710SP	2	12	SS8660512TP	10	18
SD0630241SD	2	15	SS7090710SP	18	23	SS8660610TP	4	18
SD0720193SP	20	21	SS7090710SP	20	43	SS8660610TP	8	58
SD0790431SP	22	12	SS7090710SP	32	15	SS8660612TP	4	19
SD0790602SP	22	11	SS7091110SP	2	13	SS8660810TP	6	21
SD0790801SP	12	27	SS7091410SP	10	21	SS8681130SP	24	18
SD0800341SP	22	16	SS7110540SP	8	66	SS9660720SP	24	4
SD1070901TP	4	30	SS7110610SM	24	13	SS9660910SP	24	3
SK3482500SC	26	6	SS7110830SP	14	37	SS9661230CP	24	17
SM6051552TP	30	36	SS7110840SP	8	64	SS9702110SP	4	15
SM6060802TP	30	22	SS7110840SP	12	29	TA0290301M0	14	9
SM6061552TP	8	59	SS7110910SP	20	41	TA1250406R0	2	8
SM6061552TP	30	31	SS7111120SP	2	14	WP0501016SC	26	1

## NUMERICAL INDEX OF PARTS

PART NO	PAGE	REF NO.
WP0621026SP	8	67
WP0650876SD	30	32
WP0851846SC	30	19
WP1102016SC	30	26
WP1202016SD	30	21
WP1402303SF	32	4
WZ0430390KP	2	18