

MODEL : TSH-411/TSU-471

List No : 0604-03

# PARTS LIST

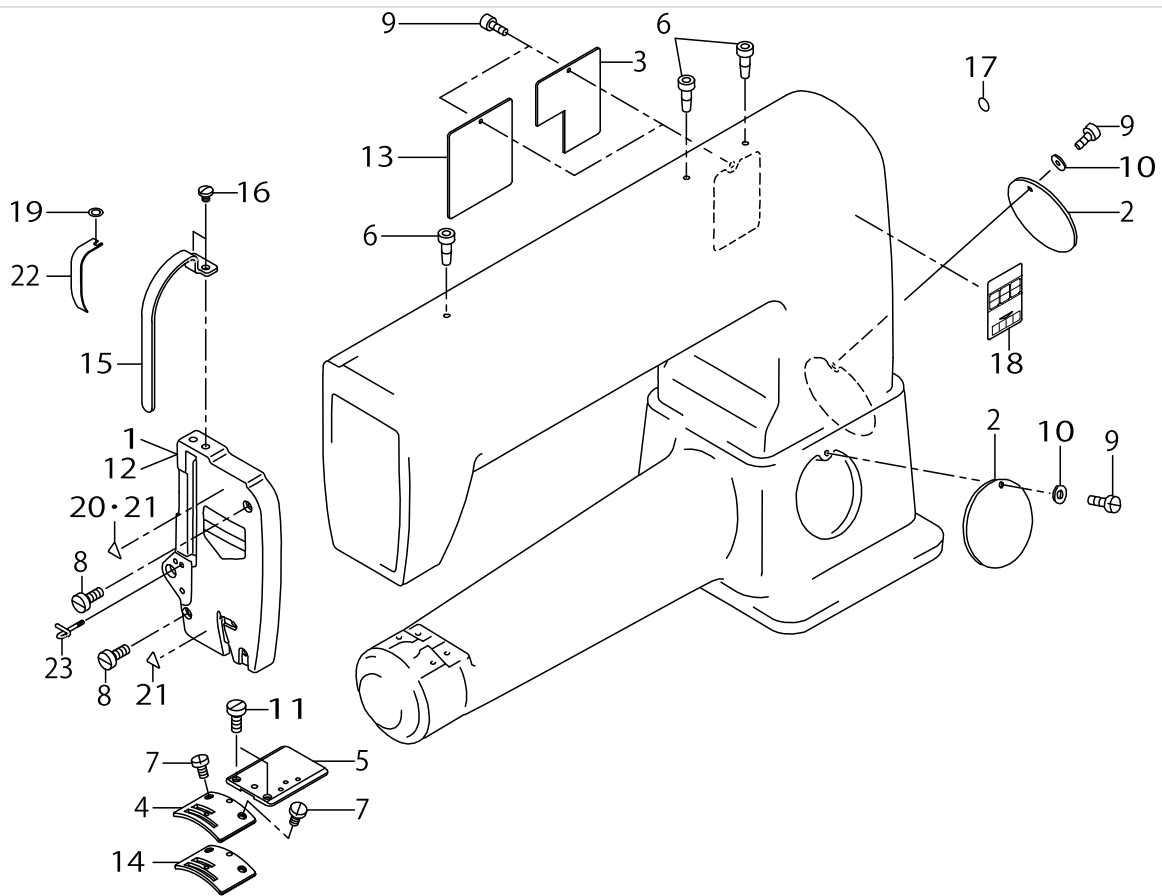
Published:05/12/2017

## CONTENTS

---

FRAME & MISCELLANEOUS COVER COMPONENTS .....	1
MAIN SHAFT COMPONENTS .....	3
NEEDLE BAR & UPPER FEED MECHANISM COMPONENTS .....	5
PRESSURE BAR COMPONENTS .....	9
FEED MECHANISM COMPONENTS .....	11
HOOK DRIVING SHAFT COMPONENTS .....	13
TENSION POST COMPONENTS .....	17
THREAD WINDER & THREAD GUIDE COMPONENTS .....	19
KNEE LIFTER COMPONENTS .....	21
BELT COVER COMPONENTS .....	23
THREAD STAND COMPONENTS .....	25
TABLE COMPONENTS .....	27
ACCESSORIES PARTS COMPONENTS .....	29
LIST FOR INFORMATION OF CHANGE .....	31
HOW TO MAKE USE OF THIS PARTS LIST .....	32

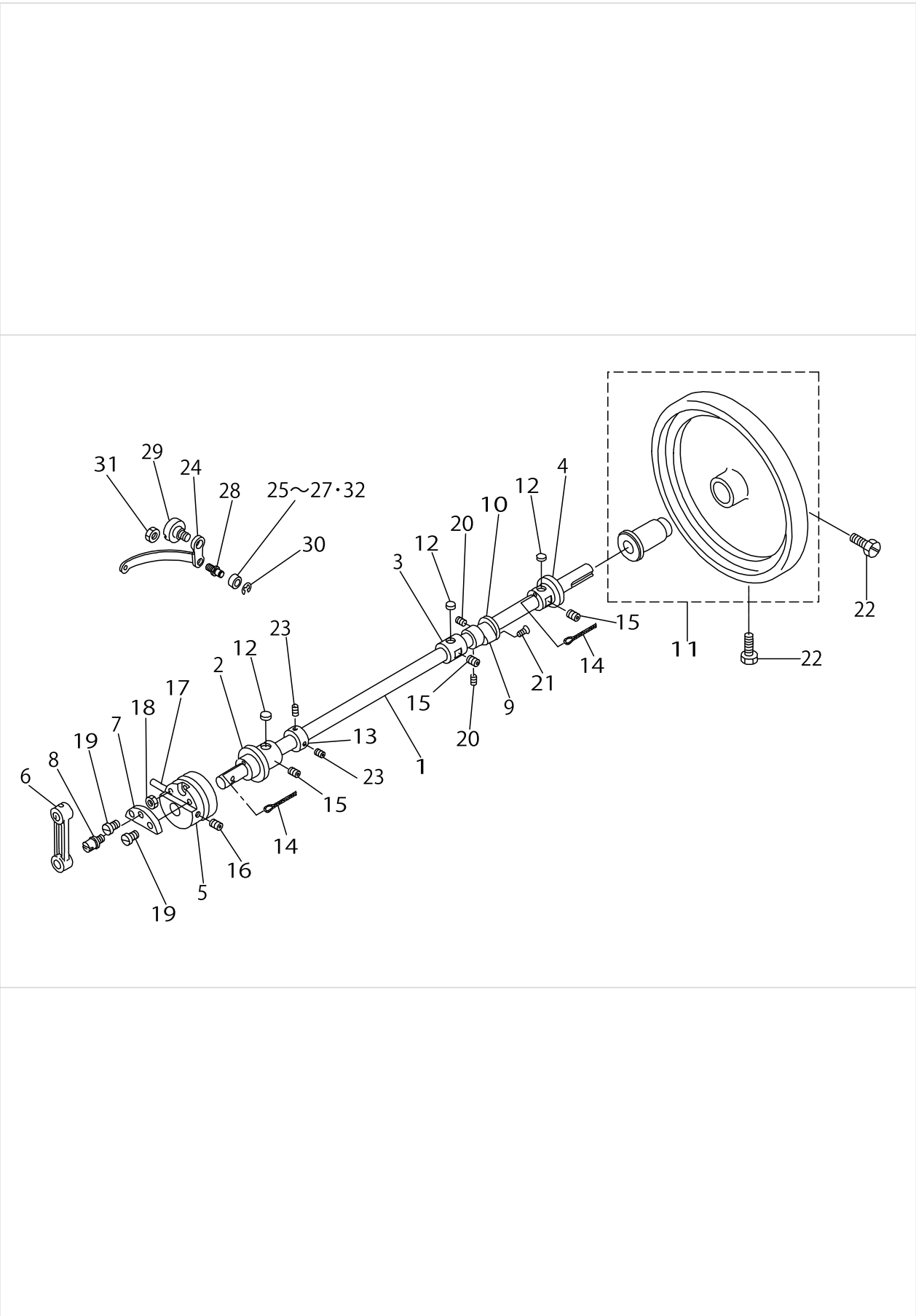
FRAME & MISCELLANEOUS COVER COMPONENTS



FRAME & MISCELLANEOUS COVER COMPONENTS

No.	Supply Code	Parts No.	Replacement	Parts name	Remarks	Choice	Step	Level	Cons	Qty	Rep. QTY
1		21068259		FACE PLATE ASM.	FOR TSU-471					1	
2		21148507		SIDE COVER						2	
3		21159603		SIDE COVER, B	FOR TSU-471					1	
4		21150305		THROAT PLATE						1	
5		21151006		SLIDE PLATE						1	
6	D	B1156026000		OIL PIPE						3	
7	R	SS7120910SP	SS7120910TP	SCREW 3/16-28 L=9						2	1.00
8		SS6151920SP		SCREW 15/64-28 L=19.0						2	
9		SS7090710SP		SCREW 9/64-40 L=6.8						3	
10		WZ0430390KP		WASHER						2	
11		SS7111110TP		SCREW 11/64-40 L=10.5						2	
12		21174750		FACE PLATE ASM.	FOR TSH-411					1	
13		21174602		SIDE COVER, B	FOR TSH-411					1	
14		21150404		THROAT PLATE	OPTIONAL PARTS					1	
15		21097605		THREAD TAKE-UP COVER (JE)	FOR TSH-411					1	
16		SS7150740SP		SCREW 15/64-28 L=7	FOR TSH-411					2	
17		22901805		GROUND MARK						1	
18		CM301200002		SAFETY LABEL_L						1	
19		WP0740516SP		WASHER 7.4X11.8X0.5	FOR TSU-471					1	
20		CM300200001		ATTENTION SEAL	FOR TSH-411					1	
21		CM300200001		ATTENTION SEAL	FOR TSU-471					2	
22		G5717343000		BALANCE COVER	FOR TSU-471					1	
23		21059514		THREAD RACK						1	

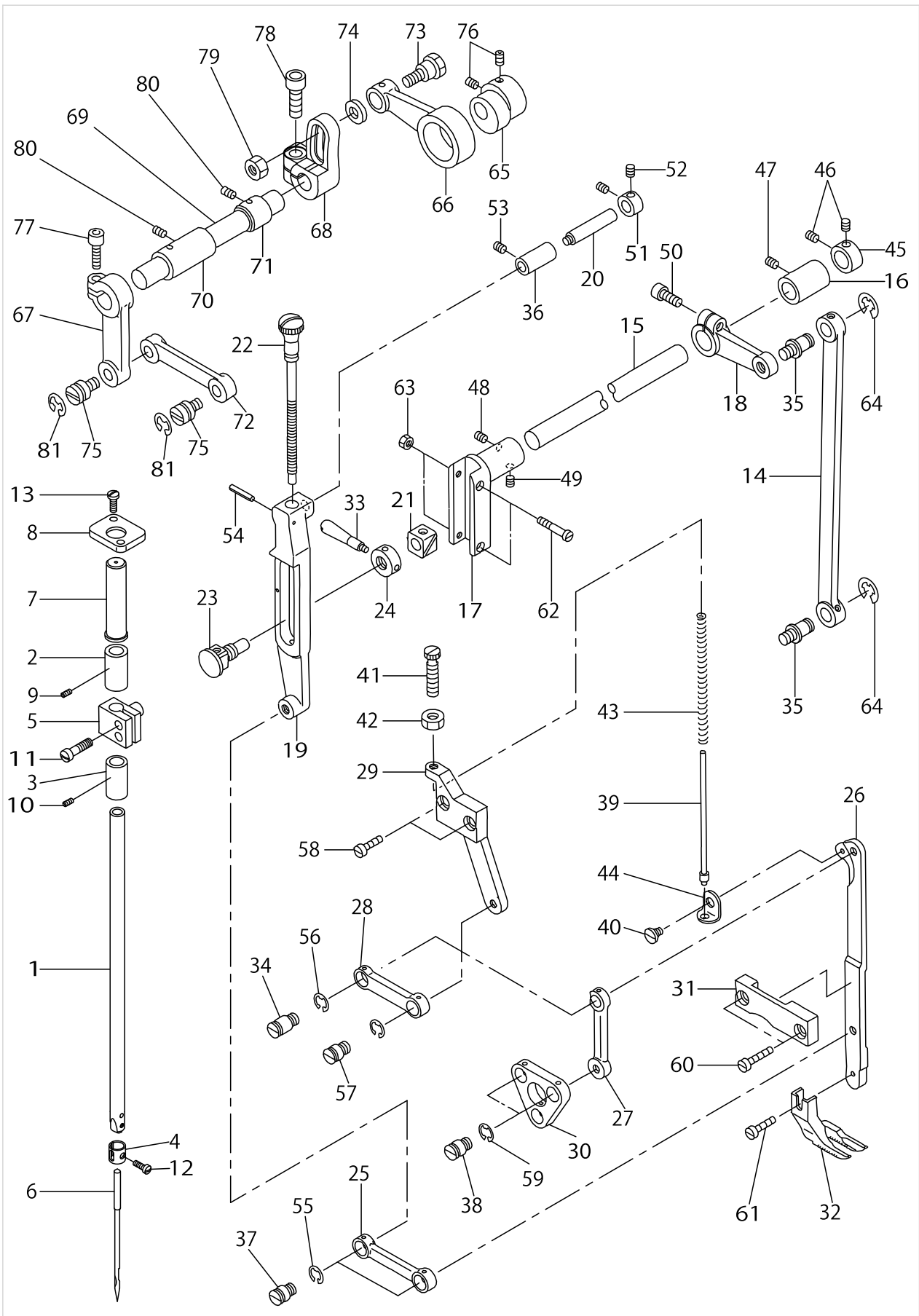
MAIN SHAFT COMPONENTS



MAIN SHAFT COMPONENTS

No.	Supply Code	Parts No.	Replacement	Parts name	Remarks	Choice	Step	Level	Cons	Qty	Rep. QTY
1		21044508		MAIN SHAFT						1	
2	D	21044607		MAIN SHAFT BUSHING, FRONT						1	
3		21044706		MAIN SHAFT BUSHING, CENTER						1	
4		21044805		MAIN SHAFT BUSHING, REAR						1	
5		21044904		THREAD TAKE-UP CAM						1	
6		21045000		NEEDLE BAR CRANK ROD						1	
7		21045109		CRANK PLATE						1	
8		21045604		NEEDLE BAR CRANK SHAFT						1	
9		21151402		FEED CAM						1	
10		21045505		SIDE PLATE						1	
11		21067855		HEND WHEEL ASM.						1	
12		21045406		FELT						3	
13		21045703		THRUST COLLAR						1	
14		CQ202000000		OIL WICK						.2	
15		SS8151550SP		SCREW15/64-28L=15						3	
16		SS8660612TP		SCREW 1/4-40 L=6						2	
17		PT0405600SH		TAPER PIN						1	
18		NS6680410SP		NUT 9/32-28						1	
19		SS1681140SP		SCREW 9/32-28 L=11						2	
20	R	SS8150710SP	SS8150710TP	SCREW 15/64-28 L=7						2	1.00
21		SS2110915SP		SCREW 11/64-40 L=8.5						2	
22		SS9702110SP		SCREW						2	
23		SS8660610TP		SCREW 1/4-40 L=6						2	
24		21045901		THREAD TAKE-UP LEVER						1	
25		21046008		BALANCE ROLLER.						1	
26		21046107		ROLLER	SELECTIVE PART					1	
27		21046206		ROLLER	SELECTIVE PART					1	
28		21046313		ROLLER STUD						1	
29		SD1070901TP		HINGE SCREW						1	
30		RE0400000K0		E-RING 4						1	
31		NS6680410SP		NUT 9/32-28						1	
32		40027078		ROLLER	SELECTIVE PART					1	

NEEDLE BAR & UPPER FEED MECHANISM COMPONENTS

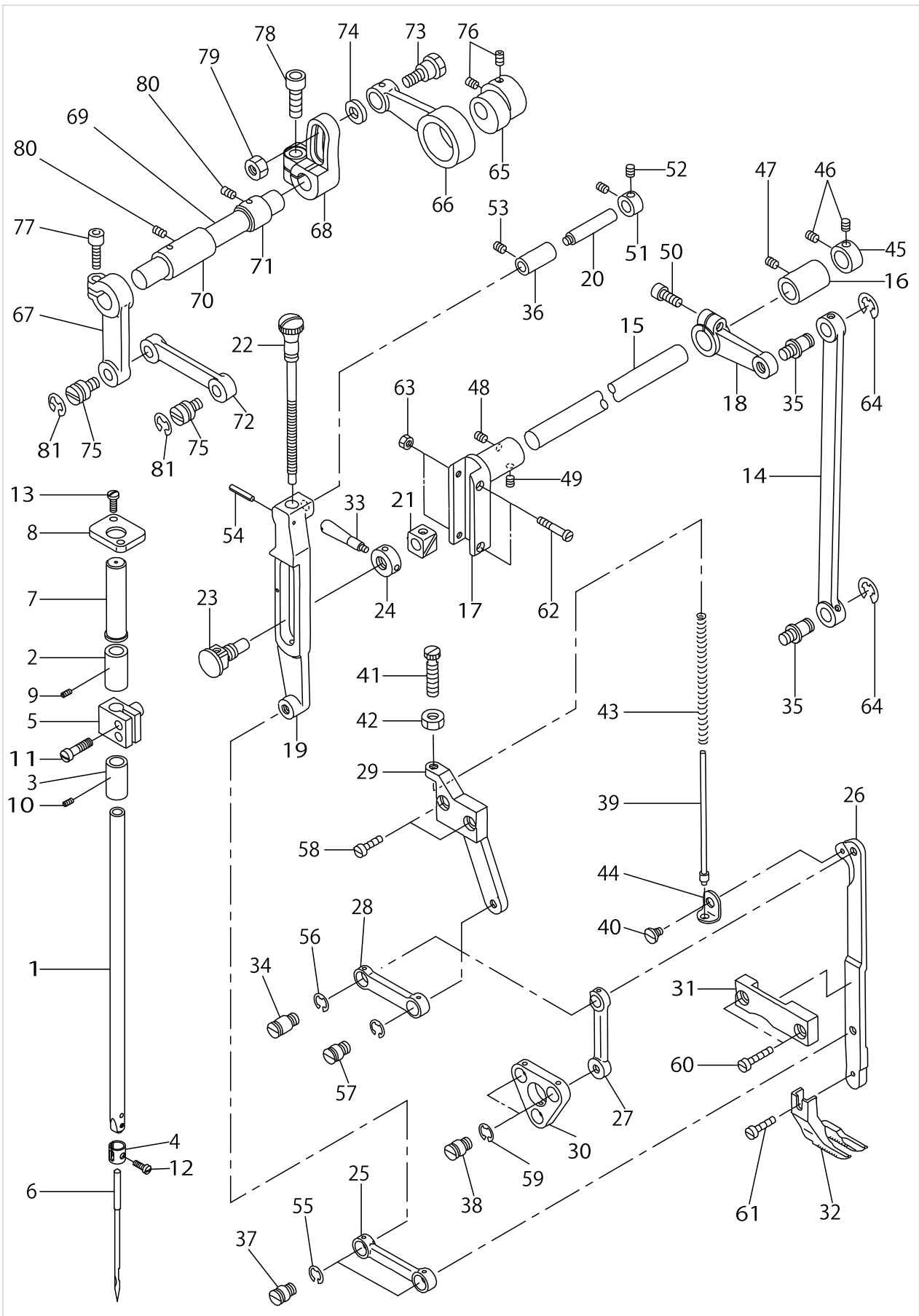


NEEDLE BAR & EUPPER FEED MECHANISM COMPONENTS

No.	Supply Code	Parts No.	Replacement	Parts name	Remarks	Choice	Step	Level	Cons	Qty	Rep. QTY
1		21046503		NEEDLE BAR						1	
2		21046602		NEEDLE BAR BUSHING, UPPER						1	
3		21046701		NEEDLE BAR BUSHING, LOWER						1	
4		21040704		NEEDLE BAR THREAD GUIDE						1	
5		21046800		NEEDLE BAR CONNECTION						1	
6		MC532002300		NEEDLE (794 NM=230)						1	
7	D	B1506059000		PRESSERBARCOVER						1	
8		21040803		COVER PLATE						1	
9		SS8150310SP		SCREW 15/64-28 L= 3.4						1	
10		SS8660340SP		SCREW 1/4-40 L= 2.5						1	
11		SS6151440SP		SCREW15/64-28L=14						2	
12		SS6110710TP		SCREW 11/64-40 L= 6.5						1	
13		SS6111210SP		SCREW11/64-40L=12						2	
14	D	21151600		LENGTHWISE FEED ROD	FOR TSU-471					1	
15	D	21047006		DRIVING SHAFT	FOR TSU-471					1	
16		21047105		BUSHING	FOR TSU-471					1	
17		21047204		DRIVING SHAFT ROD, FRONT	FOR TSU-471					1	
18		21151709		DRIVING SHAFT REAR ARM	FOR TSU-471					1	
19		21047303		UPPER FEED CONTROL BRACKET	FOR TSU-471					1	
20	D	21047402		SHAFT	FOR TSU-471					1	
21		21047501		BROCK	FOR TSU-471					1	
22		21047600		SCREW	FOR TSU-471					1	
23	D	21047709		SHAFT	FOR TSU-471					1	
24		21047808		NUT	FOR TSU-471					1	
25		21047907		ROD	FOR TSU-471					1	
26		21048004		UPPER FEED ROD	FOR TSU-471					1	
27		21048103		UPPER FEED LINK A	FOR TSU-471					1	
28		21048202		UPPER FEED LINK B	FOR TSU-471					1	
29		21041108		UPPER FEED LINK BRACKET	FOR TSU-471					1	
30		21048301		BRACKET	FOR TSU-471					1	
31		21041207		SUPPORTING PLATE	FOR TSU-471					1	
32		21041306		WALKING FOOT (STANDARD)	FOR TSU-471					1	
33		21048400		CONTROL LEVER	FOR TSU-471					1	
34		21048509		HINGE SCREW	FOR TSU-471					1	
35		B1424158000		HINGE SCREW	FOR TSU-471					2	
36		21046701		NEEDLE BAR BUSHING, LOWER	FOR TSU-471					1	
37		21048707		HINGE SCREW	FOR TSU-471					2	
38		21048707		HINGE SCREW	FOR TSU-471					2	
39		21048806		SPRING GUIDE BAR	FOR TSU-471					1	
40		21048905		HINGE SCREW	FOR TSU-471					1	
41		B3036141H00		ADJUSTING THUMB SCREW	FOR TSU-471					1	
42		NS6680320SP		NUT 9/32-28	FOR TSU-471					1	
43		21049002		SPRING	FOR TSU-471					1	
44		B3035141H00		RETAINING PLATE	FOR TSU-471					1	
45		CS1471012SH		THRUST COLLAR D=14.72 W=10	FOR TSU-471					1	
46		SS8660330SP		SCREW 1/4-40 L= 3.0	FOR TSU-471					1	



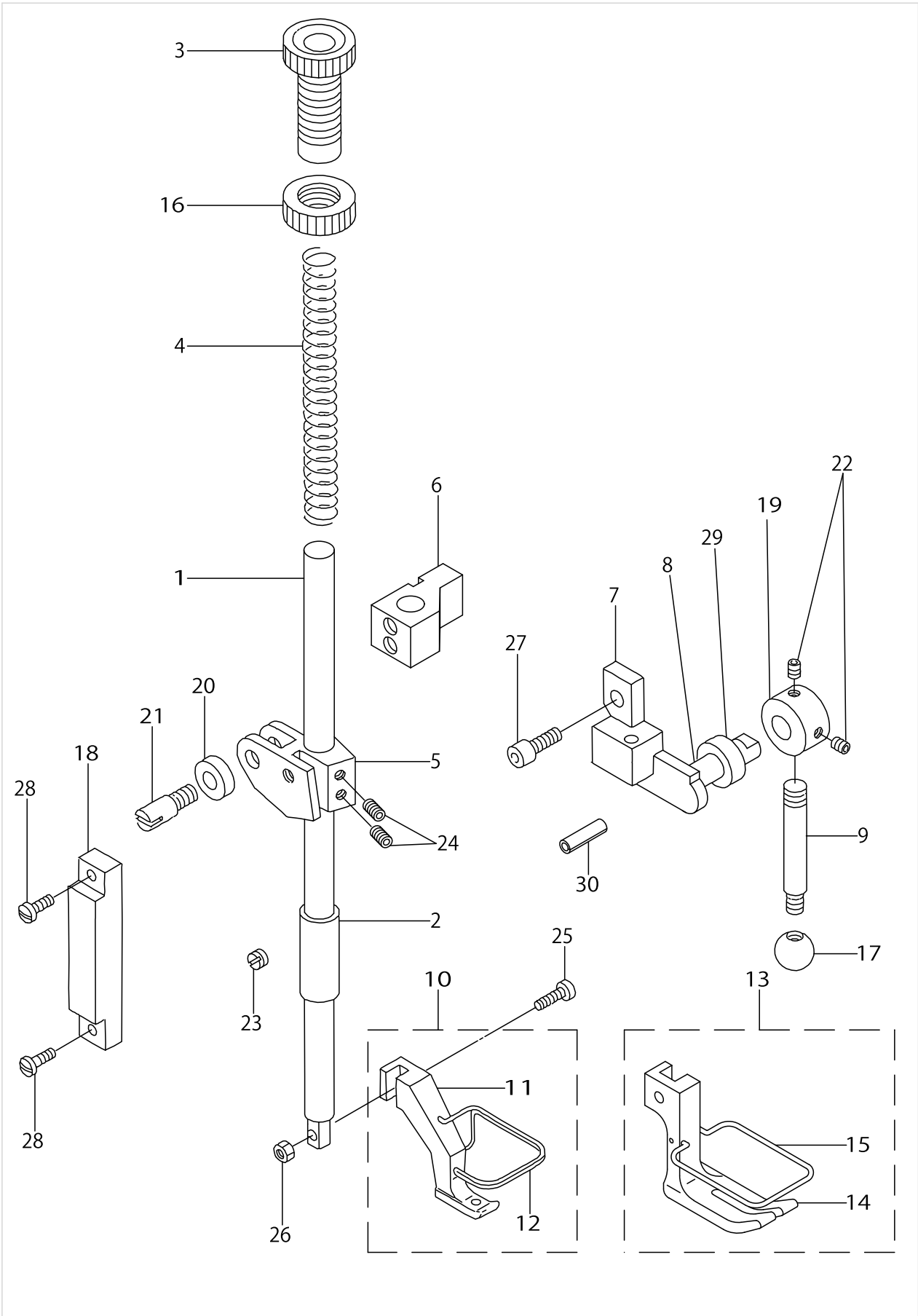
NEEDLE BAR & UPPER FEED MECHANISM COMPONENTS



NEEDLE BAR & EUPPER FEED MECHANISM COMPONENTS

No.	Supply Code	Parts No.	Replacement	Parts name	Remarks	Choice	Step	Level	Cons	Qty	Rep. QTY
47	R	SS8150710SP	SS8150710TP	SCREW 15/64-28 L=7	FOR TSU-471					1	1.00
48		SS8660942TP		SCREW 1/4-40 L= 8.5	FOR TSU-471					1	
49		SS8660612TP		SCREW 1/4-40 L=6	FOR TSU-471					1	
50	R	SM6061552TP	SM6061552SP	SCREW M6 L=15	FOR TSU-471					1	1.00
51		CS0951019SH		THRUST COLLAR D=9.53 W=10	FOR TSU-471					1	
52	R	SS8150710SP	SS8150710TP	SCREW 15/64-28 L=7	FOR TSU-471					2	1.00
53	R	SS8150710SP	SS8150710TP	SCREW 15/64-28 L=7	FOR TSU-471					1	1.00
54		PS0250142KP		SPRING PIN 2.5X14	FOR TSU-471					1	
55		RE0800000K0		E-SHAPED SNAP RING (8MM)	FOR TSU-471					2	
56		RE0800000K0		E-SHAPED SNAP RING (8MM)	FOR TSU-471					1	
57		21048707		HINGE SCREW	FOR TSU-471					1	
58		SS7151210SP		SCREW15/64-28L=12	FOR TSU-471					2	
59		RE0800000K0		E-SHAPED SNAP RING (8MM)	FOR TSU-471					2	
60		SS7151210SP		SCREW15/64-28L=12	FOR TSU-471					2	
61	R	SS6111010SP	SS6111010TP	SCREW 11/64-40 L= 9.5	FOR TSU-471					1	1.00
62		SS7112420SP		SCREW11/64-40L=24	FOR TSU-471					2	
63		NS6110350SP		NUT 11/64-40	FOR TSU-471					2	
64		RE0700000K0		E-RING 7	FOR TSU-471					2	
65		21049200		DRIVING CAM	FOR TSU-471					1	
66		21049309		CONNECTING ROD	FOR TSU-471					1	
67		21049408		DRIVING SHAFT ARM, FRONT	FOR TSU-471					1	
68		21049515		DRIVING SHAFT ARM, REAR	FOR TSU-471					1	
69		21049606		FEEDROCKER SHAFT	FOR TSU-471					1	
70		21049705		BUSHING, FRONT	FOR TSU-471					1	
71		21049804		BUSHING,REAR	FOR TSU-471					1	
72		21049903		ROD	FOR TSU-471					1	
73		21050000		HINGE SCREW	FOR TSU-471					1	
74		21050109		WASHER	FOR TSU-471					1	
75		21048707		HINGE SCREW	FOR TSU-471					2	
76		SS8660610TP		SCREW 1/4-40 L=6	FOR TSU-471					2	
77	R	SM6061552TP	SM6061552SP	SCREW M6 L=15	FOR TSU-471					1	1.00
78		SM6081802TP		SCREW	FOR TSU-471					1	
79		NS6720440SP		NUT 11/32-28	FOR TSU-471					1	
80	R	SS8150710SP	SS8150710TP	SCREW 15/64-28 L=7	FOR TSU-471					2	1.00
81		RE0800000K0		E-SHAPED SNAP RING (8MM)	FOR TSU-471					2	

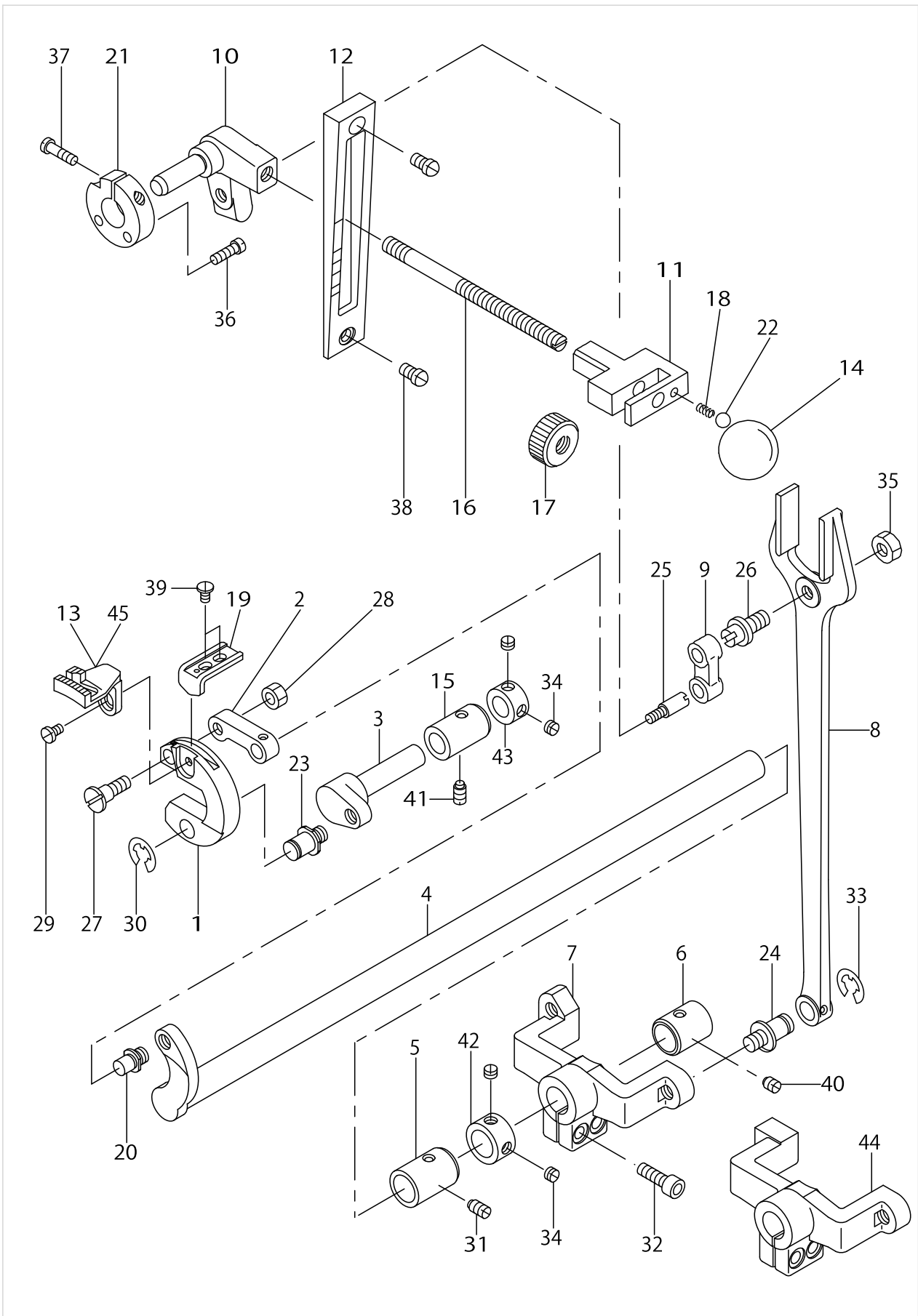
PRESSURE BAR COMPONENTS



PRESSURE BAR COMPONENTS

No.	Supply Code	Parts No.	Replacement	Parts name	Remarks	Choice	Step	Level	Cons	Qty	Rep. QTY
1		21050505		PRESSER BAR						1	
2		21050604		PRESSER BAR BUSHING						1	
3		21050703		SCREW						1	
4		21151808		BUTTON CLAMP P- RESSURE SPRING						1	
5		21050901		PRESSER BAR GUIDE BRACKET	FOR TSU-471					1	
6		21165402		PRESSER BAR GUIDE BRACKET	FOR TSH-411					1	
7		21051008		HAND LIFTER LINK						1	
8		21051107		HAND LIFTER CAM						1	
9		21051206		HAND LIFTER LEVER						1	
10		21041553		PRESSER FOOT ASM,STD.	FOR TSU-471					1	
11	R	21041504	21041553	PRESSER FOOT STD.				*		1	1.00
12		21041603		GUARD				*		1	
13		21165550		PRESSER FOOT ASM.	FOR TSH-411					1	
14	R	21165501	21165550	PRESSER FOOT				*		1	1.00
15		21097506		GUARD				*		1	
16		21051305		NUT						1	
17		21051404		GRIP						1	
18		21051503		GUIDE PLATE	FOR TSU-471					1	
19		21051602		THRUST COLLAR						1	
20		21051701		ROLLER FOLLOWER	FOR TSU-471					1	
21		21051800		GUIDE NUT	FOR TSU-471					1	
22		SS8660512TP		SCREW 1/4-40 L=5						2	
23		SS8660340SP		SCREW 1/4-40 L= 2.5						1	
24		SS8660612TP		SCREW 1/4-40 L=6						2	
25		SS7091410SP		SCREW 9/64-40 L=13.5						1	
26		NS6090310SP		NUT 9/64-40						1	
27		SS6660622TP		SCREW						1	
28		SS7621040SP		SCREW 3/16-32L=9.5	FOR TSU-471					2	
29		B1662562000		COLLAR						1	
30		PS0300201KP		SPRING PIN 3.0X20						1	

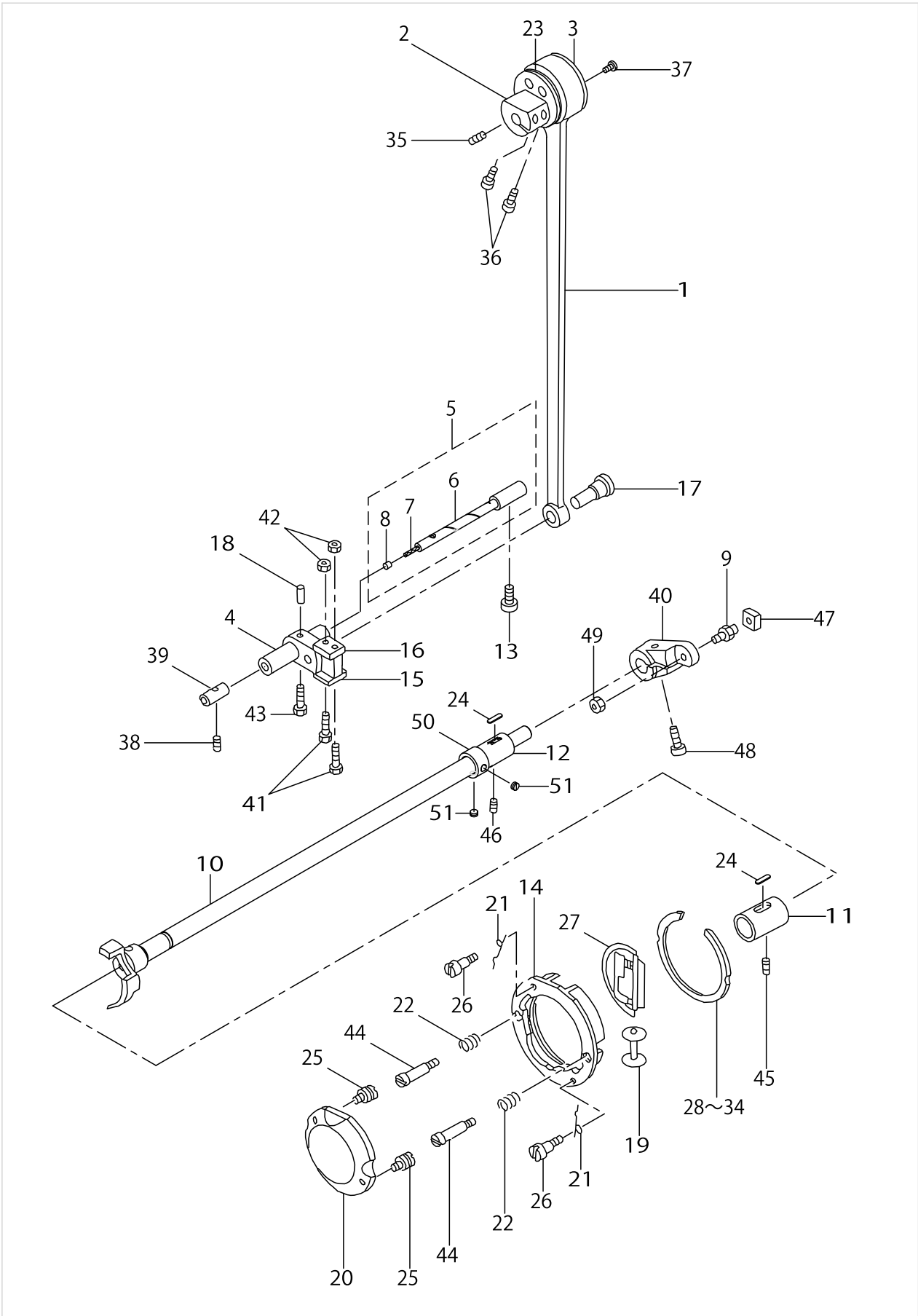
FEED MECHANISM COMPONENTS



FEED MECHANISM COMPONENTS

No.	Supply Code	Parts No.	Replacement	Parts name	Remarks	Choice	Step	Level	Cons	Qty	Rep. QTY
1		21151907		FEED BAR						1	
2		21152004		FEED BAR LINK						1	
3		21152103		DRIVING SHAFT						1	
4		21152251		FEED ROCKER SHAFT ASM.						1	
5	D	21152400		BUSHING, FRONT						1	
6	D	21152509		BUSHING, REAR	FOR TSU-471					1	
7		21152608		FEED ROCK SHAFT CRANK						1	
8		21152707		ROD						1	
9		B1619241H00		FEED CONNECTING LINK						1	
10		21152806		FEED REGULATOR						1	
11		21054606		LEVER						1	
12		21152905		SIDE COVER						1	
13		21153002		FEED DOG						1	
14		21054507		LEVER GRIP						1	
15		21153606		DRIVING SHAFT METAL						1	
16		21054408		LEVER SHAFT						1	
17		21054705		NUT						1	
18		21054804		SPRING						1	
19		21153705		FEED BAR PRESSURE						1	
20		21153804		HINGE SCREW						1	
21		21153903		SUPPORT PLATE						1	
22		21054903		BALL						1	
23		21026901		HINGE SCREW						1	
24		B1424158000		HINGE SCREW						1	
25		B1617241H00		HINGE SCREW, A						1	
26		B1618241H00		HINGE SCREW, B						1	
27		SD0790801SP		HINGE SCREW D=7.94 H=8						1	
28		NS6160520SP		NUT 1/4-24						1	
29		SS7110840SP		SCREW 11/64-40 L=7.8						1	
30		RE0800000K0		E-SHAPED SNAP RING (8MM)						1	
31	R	SS8151150SP	SS8151150TP	SCREW 15/64-28 L=10.5						1	1.00
32		SM6061802TP		SCREW M6 L=18						2	
33		RE0700000K0		E-RING 7						1	
34		SS8660330SP		SCREW 1/4-40 L= 3.0						4	
35		NS6680410SP		NUT 9/32-28						1	
36		SS6121610TP		SCREW 3/16-28 L=15.5						2	
37		SS6621840SP		SCREW 3/16-32 L=18.0						1	
38		SS7150740SP		SCREW 15/64-28 L=7						2	
39		SS6110610TP		SCREW 11/64-40 L=6						2	
40		SS8150750SP		SCREW 15/64-28 L=7						1	
41	R	SS8151150SP	SS8151150TP	SCREW 15/64-28 L=10.5						1	1.00
42	R	22904106	22904155	MAIN SHAFT THRUST COLLAR						1	1.00
43		CS1111019SH		THRUST COLLAR D=11.11 W=10						1	
44		21171004		FEED ROCK SHAFT CRANK	FOR TSH-411					1	
45	D	21170303		FEED	OPTIONAL PARTS FOR TSH-411					1	

# HOOK DRIVING SHAFT COMPONENTS

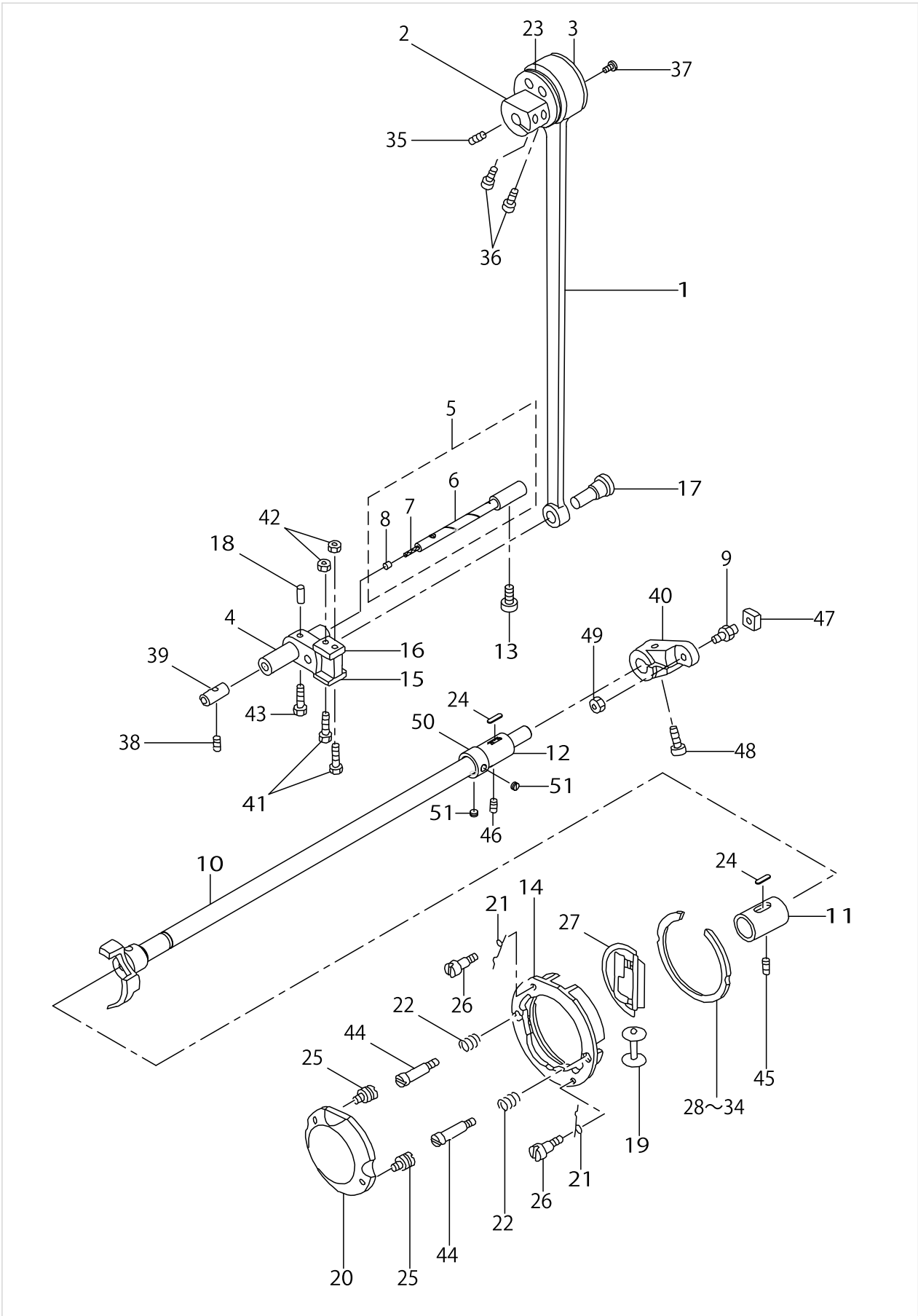


## HOOK DRIVING SHAFT COMPONENTS

No.	Supply Code	Parts No.	Replacement	Parts name	Remarks	Choice	Step	Level	Cons	Qty	Rep. QTY
1		21055504		CONNECTING ROD						1	
2		21055603		CON-ROD ECCENTRIC CAM						1	
3		21055702		CAM SLIDE PLATE						1	
4		21055801		OSCILATING ROCK SHAFT						1	
5		21154059		HINGE PIN ASM.						1	
6		21154000		HINGE PIN				*		1	
7		CQ303000000		OIL WICK				*		1	
8		TA0290301M0		RUBBER PLUG				*		1	
9	R	21056304	21056312	SLIDE BROCK STUD						1	1.00
10		40183640		HOOK_DRIVING_SHAFT_ASM						1	
11		21154406		BUSHING, FRONT						1	
12		21154505		BUSHING, REAR						1	
13		SS6151142TP		SCREW 15/64-28 L=10.5						1	
14		21154703		SHUTTLE RACE BODY						1	
15		21057005		SLIDE PLATE A						1	
16		21057104		SLIDE PLATE B						1	
17		21057203		CON-ROD PIN						1	
18		21057302		CON-ROD PIN WEDGE						1	
19		21057401		BOBBIN						1	
20		21154802		HOOK COVER						1	
21		21154901		HOOK COVER SPRING						2	
22		21057500		HOOK COUNTER SPRING						2	
23		21057609		CAGE & ROLLER						2	
24		B1806038000		OIL FELT						2	
25		21155007		SCREW						2	
26		SD0260271SP		HINGE SCREW D= 2.60 H= 2.7						2	
27		21041850		HOOK ASM.						1	
28		21155106		MIKAZUKI (1)	SELECTIVE PARTS					1	
29		21155205		MIKAZUKI (2)	SELECTIVE PARTS					1	
30		21155304		MIKAZUKI (3)	SELECTIVE PARTS					1	
31		21155403		MIKAZUKI (4) STANDARD	SELECTIVE PARTS					1	
32		21155502		MIKAZUKI (5)	SELECTIVE PARTS					1	
33		21155601		MIKAZUKI (6)	SELECTIVE PARTS					1	
34		21155700		MIKAZUKI (7)	SELECTIVE PARTS					1	
35		SS8151550SP		SCREW 15/64-28 L=15						1	
36		SM6081802TP		SCREW						2	
37		SS7110830SP		SCREW 11/64-40 L= 7.5						2	
38		SS8150750SP		SCREW 15/64-28 L=7						1	
39		21154109		ROCK SHAFT BUSHING						1	
40	R	21154208	21154216	HOOK DRIVING SHAFT CRANK						1	1.00
41		21057708		SCREW						2	
42		NS6110420SP		NUT 11/64-40						2	
43		SS7621510SP		SCREW						1	
44		21057906		SCREW						2	
45		SS8151550SP		SCREW 15/64-28 L=15						1	
46		SS8151550SP		SCREW 15/64-28 L=15						1	



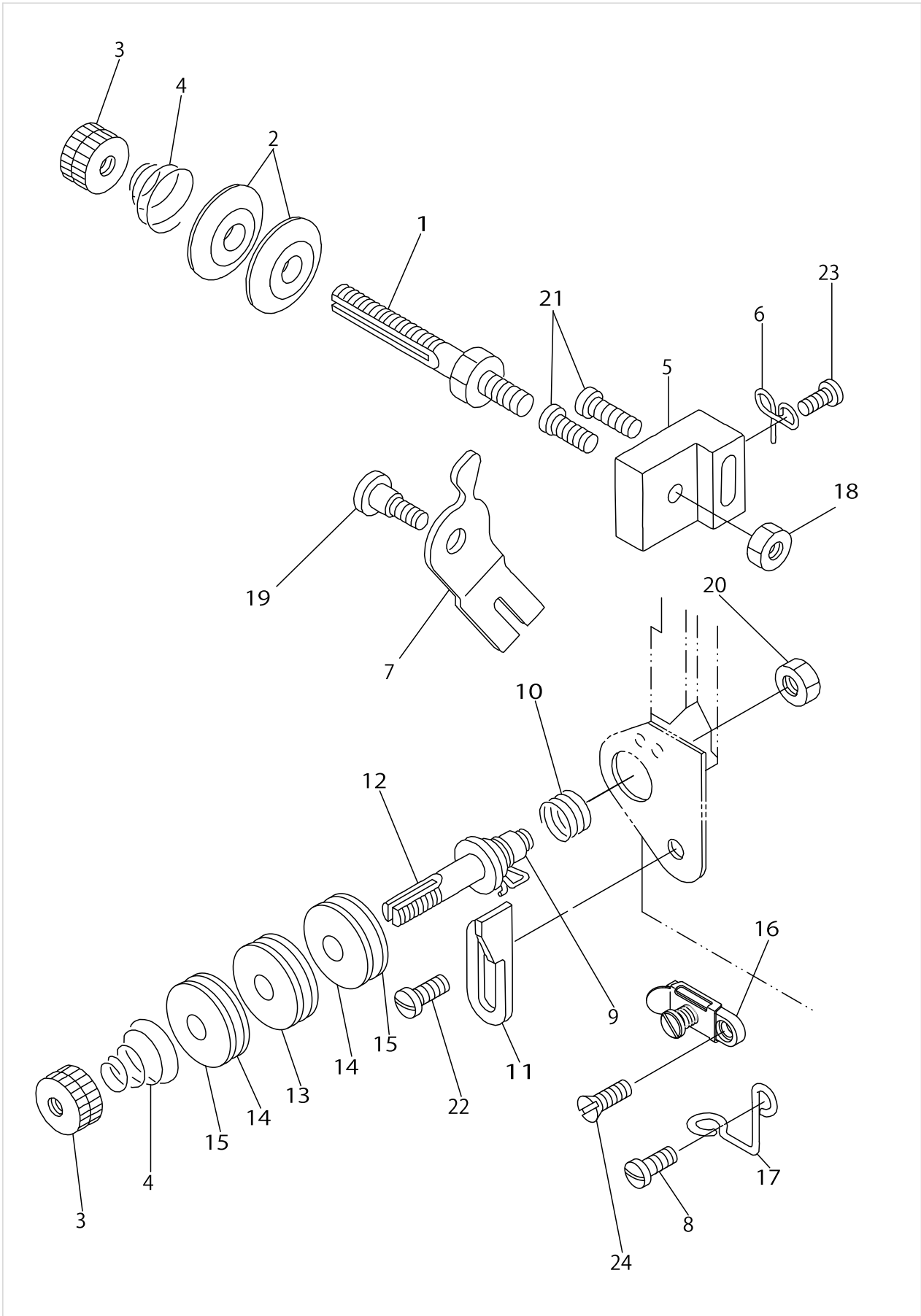
# HOOK DRIVING SHAFT COMPONENTS



HOOK DRIVING SHAFT COMPONENTS

No.	Supply Code	Parts No.	Replacement	Parts name	Remarks	Choice	Step	Level	Cons	Qty	Rep. QTY
47		21056205		CRANK SLIDE BLOCK						1	
48		SM6081802TP		SCREW						1	
49		NS6680320SP		NUT 9/32-28						1	
50	R	22904106	22904155	MAIN SHAFT THRUST COLLAR						1	1.00
51		SS8660330SP		SCREW 1/4-40 L= 3.0						2	

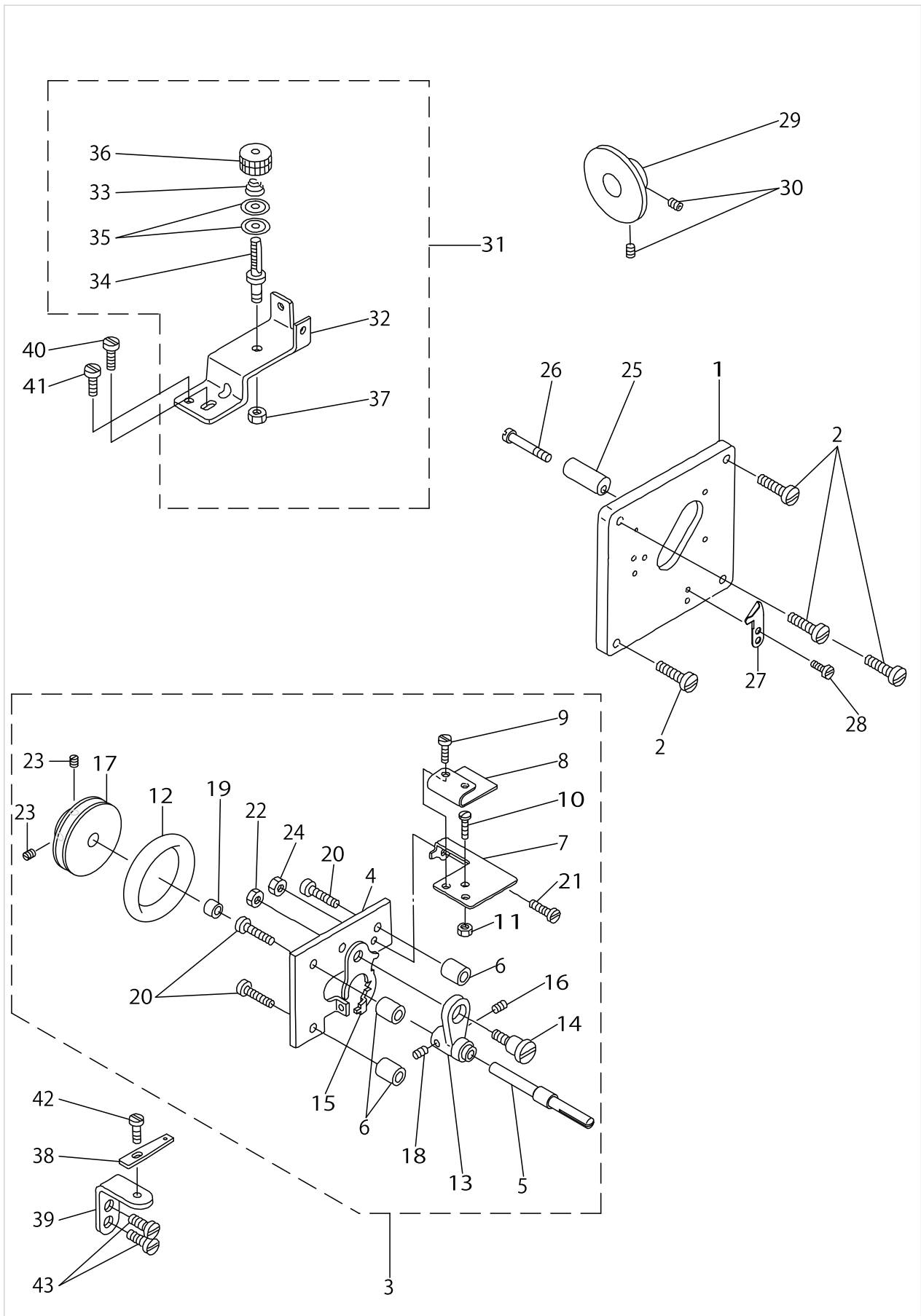
TENSION POST COMPONENTS



TENSION POST COMPONENTS

No.	Supply Code	Parts No.	Replacement	Parts name	Remarks	Choice	Step	Level	Cons	Qty	Rep. QTY
1		21059001		THREAD TENSION POST						1	
2	R	B3126012000	22921506	THREAD TENSION DISK						2	1.00
3	R	B3125012000	22928808	THREAD TENSION NUT						2	1.00
4		21059100		THREAD TENSION SPRING						2	
5		21059209		THREAD TENSION POST BRACKET						1	
6		21059308		THREAD TENSION GUIDE						1	
7		21059407		THREAD RELEASING PLATE						1	
8		SS7090710SP		SCREW 9/64-40 L=6.8						1	
9		21059605		SPRING A						1	
10		21059704		THREAD TAKE-UP SPRING GUIDE						1	
11		21059803		SPRING SUPPORT PLATE						1	
12		21059902		THREAD TENSION WHEEL POST						1	
13		21060009		THREAD TENSION WHEEL						1	
14		21060108		WHEEL FELT						2	
15		21060207		FELT SUPPORT PLATE						2	
16		21161153		ARM THREAD GUIDE ASM., LOWER						1	
17		B1131562000		FRAME THREAD GUIDE, LOWER						1	
18		NS6680320SP		NUT 9/32-28						1	
19		SD0600321SP		HINGE SCREW D=6 H=3.2						1	
20		NS6150310SP		NUT 15/64-28						1	
21	R	SS7111120SP	SS7111120TP	SCREW 11/64-40 L=10.5						2	1.00
22		SS7090610SP		SCREW 9/64-40 L=6						1	
23		SS7090710SP		SCREW 9/64-40 L=6.8						1	
24		SS1090410SL		SCREW 9/64-40 L=4						1	

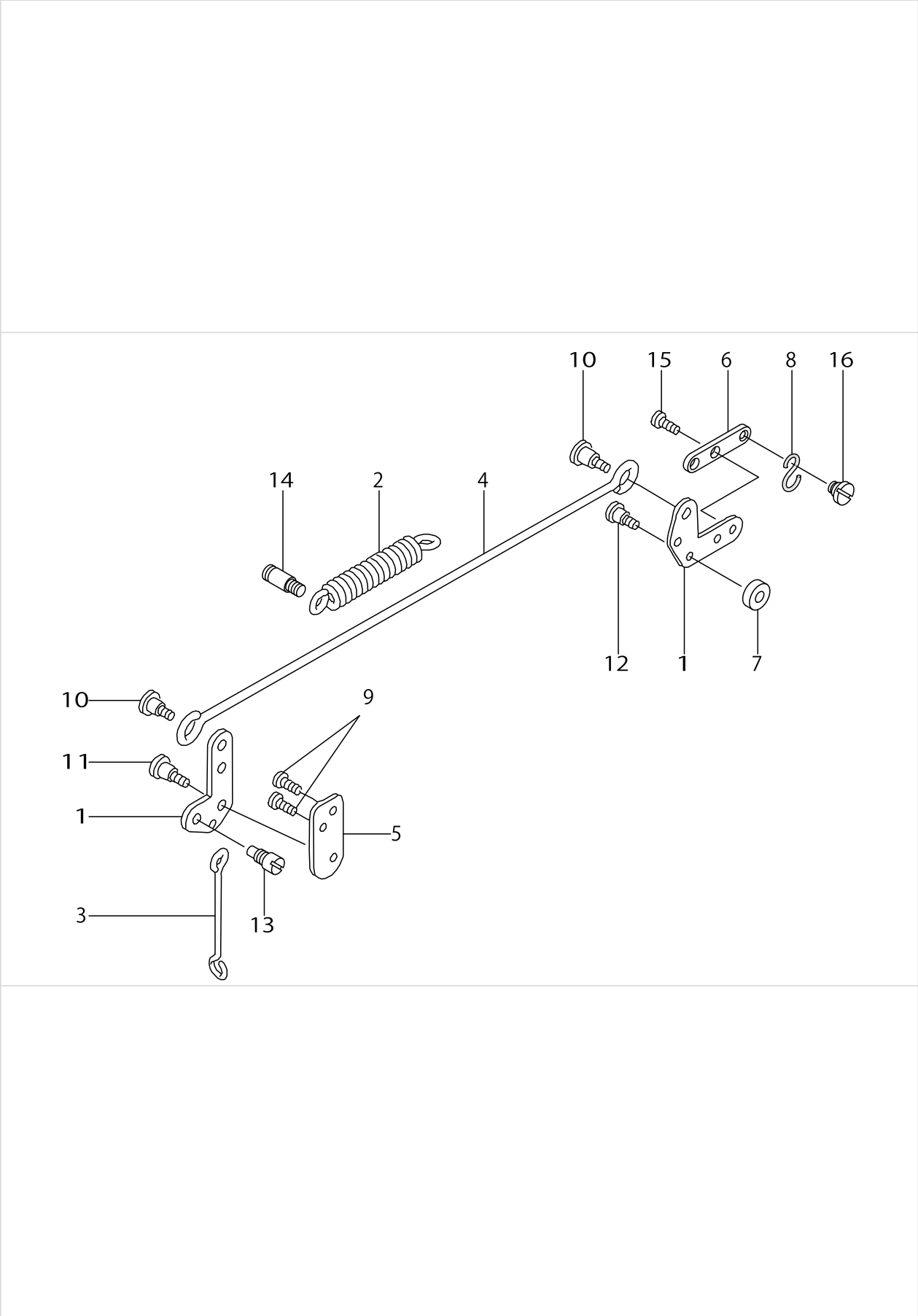
THREAD WINDER & THREAD GUIDE COMPONENTS



THREAD WINDER & THREAD GUIDE COMPONENTS

No.	Supply Code	Parts No.	Replacement	Parts name	Remarks	Choice	Step	Level	Cons	Qty	Rep. QTY
1		21067905		THREAD WINDOW PLATE						1	
2	R	SS7111120SP	SS7111120TP	SCREW 11/64-40 L=10.5						4	1.00
3		21061056		THREAD WINDER ASM.						1	
4	D	B3201158000		THREAD WINDER BASE				*		1	
5		21061015		BOBBIN WINDER SPINDLE				*		1	
6		B3203158000		WASHER				*		3	
7		21061106		BOBBIN PRESSER				*		1	
8		21061205		BOBBIN PRESSURE SPRING				*		1	
9		SS5060410SP		SCREW 3/32-56 L=3.5				*		2	
10		SS7081310SP		SCREW 1/8-44 L=12.5				*		1	
11		NS6080210SP		NUT 1/8-44				*		1	
12		B3212210000		FRICTION WHEEL				*		1	
13		B3204232000		BOBBIN WINDER FRAME				*		1	
14		B3205232000		HINGE SCREW,				*		1	
15		B3206232000		BOBBIN WINDER TENSION BRACKET				*		1	
16		B3208232000		SPRING				*		1	
17		B3211210000		BOBBIN WINDER WHEEL				*		1	
18		A3222958000		BOBBIN WINDER SPRING, LONG				*		1	
19		B3207158000A		THREAD WIDING SHAFT COLLAR				*		1	
20	R	SS7111810SP	SS7111810TP	SCREW 11/64-40 L=18				*		3	1.00
21		SD0720193SP		HINGE SCREW D= 7.24 H= 1.9				*		1	
22		NS6110310SP		NUT 11/64-40				*		1	
23	R	SS8110510SP	SS8110520TP	SCREW 11/64-40 L=5				*		2	1.00
24		NS6110310SP		NUT 11/64-40				*		1	
25		21061403		STOPPER						1	
26		SS7112810SP		SCREW 11/64-40 L=28						1	
27		10502300		THREAD CUTTER						1	
28		SS6080410SP		SCREW 1/8-44 L=4						2	
29		21061601		FRICTION WHEEL						1	
30	R	SS8150710SP	SS8150710TP	SCREW 15/64-28 L=7						2	1.00
31		21061759		THREAD WINDER GUIDE BASE						1	
32	R	21061700	21061759	THREAD WINDER GUIDE BASE				*		1	1.00
33	R	B3129012B00	22929004	THREAD TENSION SPRING				*		1	1.00
34		21059001		THREAD TENSION POST				*		1	
35	R	B3126012000	22921506	THREAD TENSION DISK				*		2	1.00
36	R	B3125012000	22928808	THREAD TENSION NUT				*		1	1.00
37		NS6680320SP		NUT 9/32-28				*		1	
38		B2510158000		THREAD WINDER THREAD GUIDE						1	
39		21061908		GUIDE BRACKET						1	
40	R	SS7110910SP	SS7110910TP	SCREW 11/64-40 L=8.5						1	1.00
41	R	SS4080610SP	SS4080620TP	SCREW 1/8-44 L=6.4						1	1.00
42		SS7090710SP		SCREW 9/64-40 L=6.8						1	
43		SS7151120SP		SCREW 15/64-28 L=11						2	

KNEE LIFTER COMPONENTS

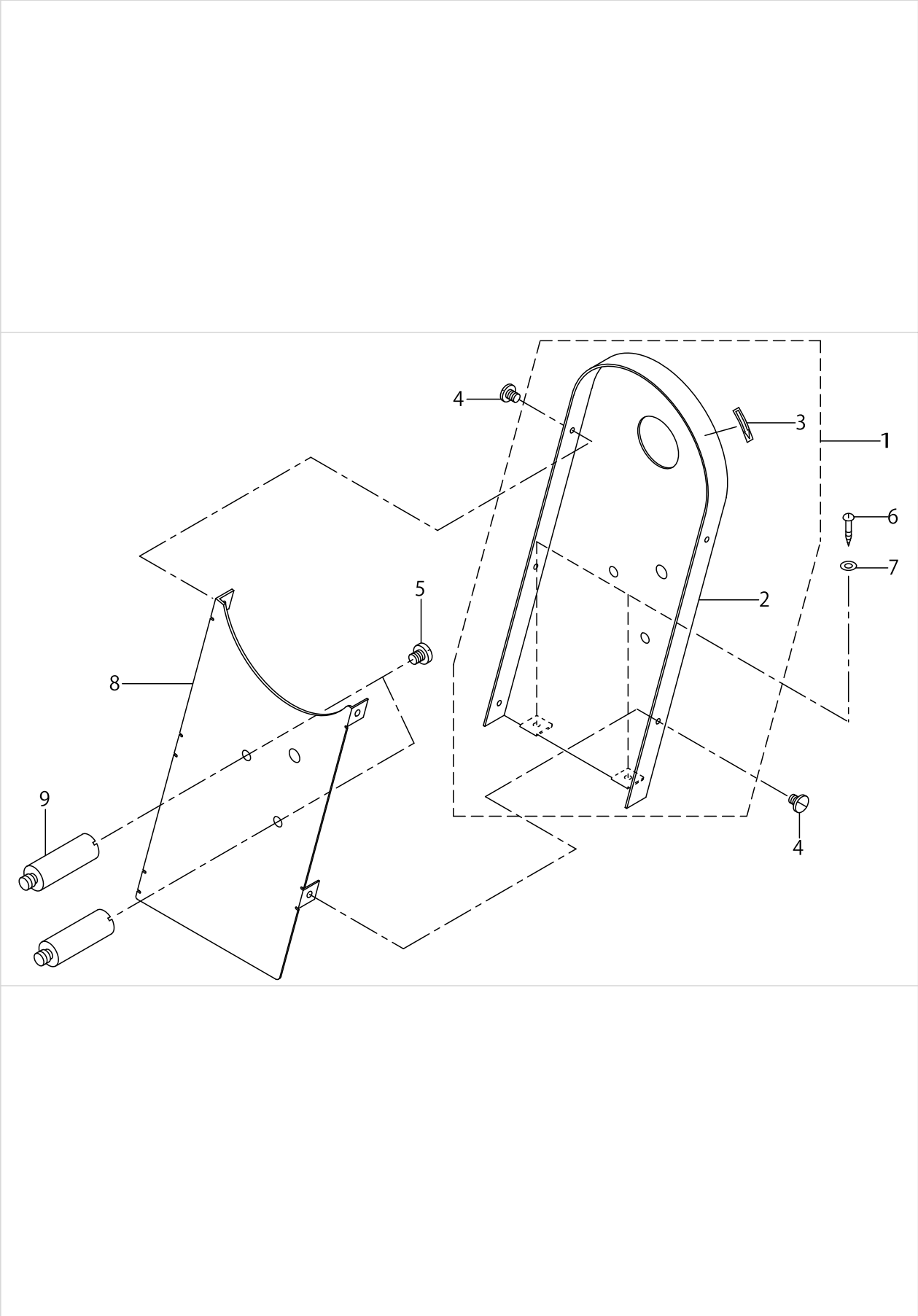


KNEE LIFTER COMPONENTS

No.	Supply Code	Parts No.	Replacement	Parts name	Remarks	Choice	Step	Level	Cons	Qty	Rep. QTY
1		21062807		PRESSER BAR LIFTING LINK						2	
2		B1342591000		PRESSER BAR LIFTING ARM SPRING						1	
3		21062500		PRESSER BAR LIFTING BAR						1	
4		21156005		SIDE CONNECTING BAR						1	
5		21062708		LINK BASE						1	
6		21156104		LINK PLATE						1	
7		18125609		LINK COLLAR						1	
8		21157607		S-PLUG						1	
9		SS7150740SP		SCREW 15/64-28 L=7						2	
10		SD0790431SP		HINGE SCREW D= 7.94 H= 4.3						2	
11		SD0790431SP		HINGE SCREW D= 7.94 H= 4.3						1	
12		SD0790432SP		HINGE SCREW D= 7.94 H= 4.3						1	
13		21062609		HINGE SCREW						1	
14		B3413227000		SPRINGSUSPENSION						1	
15		SS7150740SP		SCREW 15/64-28 L=7						2	
16		SD0800341SP		HINGE SCREW D=8 H=3.4						1	



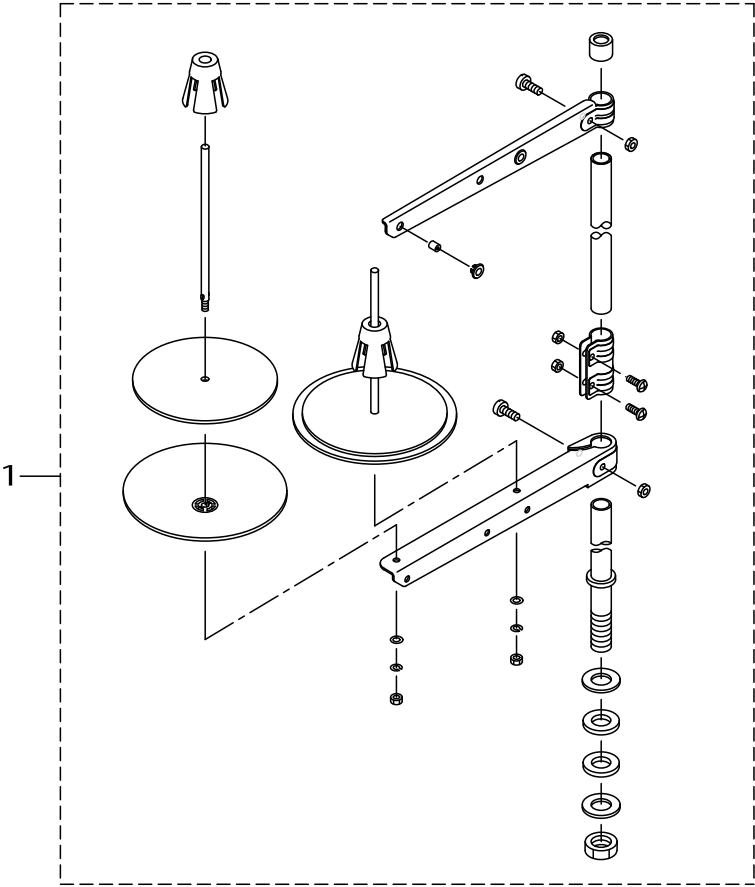
BELT COVER COMPONENTS



BELT COVER COMPONENTS

No.	Supply Code	Parts No.	Replacement	Parts name	Remarks	Choice	Step	Level	Cons	Qty	Rep. QTY
1		21159769		BELT COVER A COMPL. (LABEL)						1	
2		21159751		BELT COVER A COMPL.				*		1	
3		CM500300001		DIRECTION LABEL				*		1	
4		SS6110480SP		SCREW 11/64-40 L=4.3						5	
5		SS7150740SP		SCREW 15/64-28 L=7						2	
6	R	SK3482000SC	SK3482001SE	WOOD SCREW D=4.8 L=20						2	1.00
7		WP0501016SC		WASHER 5X10.5X1						2	
8		21159801		BELT COVER B						1	
9	R	21157300	40010280	BELT COVER STUD						2	1.00

THREAD STAND COMPONENTS



THREAD STAND COMPONENTS

No.	Supply Code	Parts No.	Replacement	Parts name	Remarks	Choice	Step	Level	Cons	Qty	Rep. QTY
1		40096354		THREAD STAND ASM.						1	

TABLE COMPONENTS

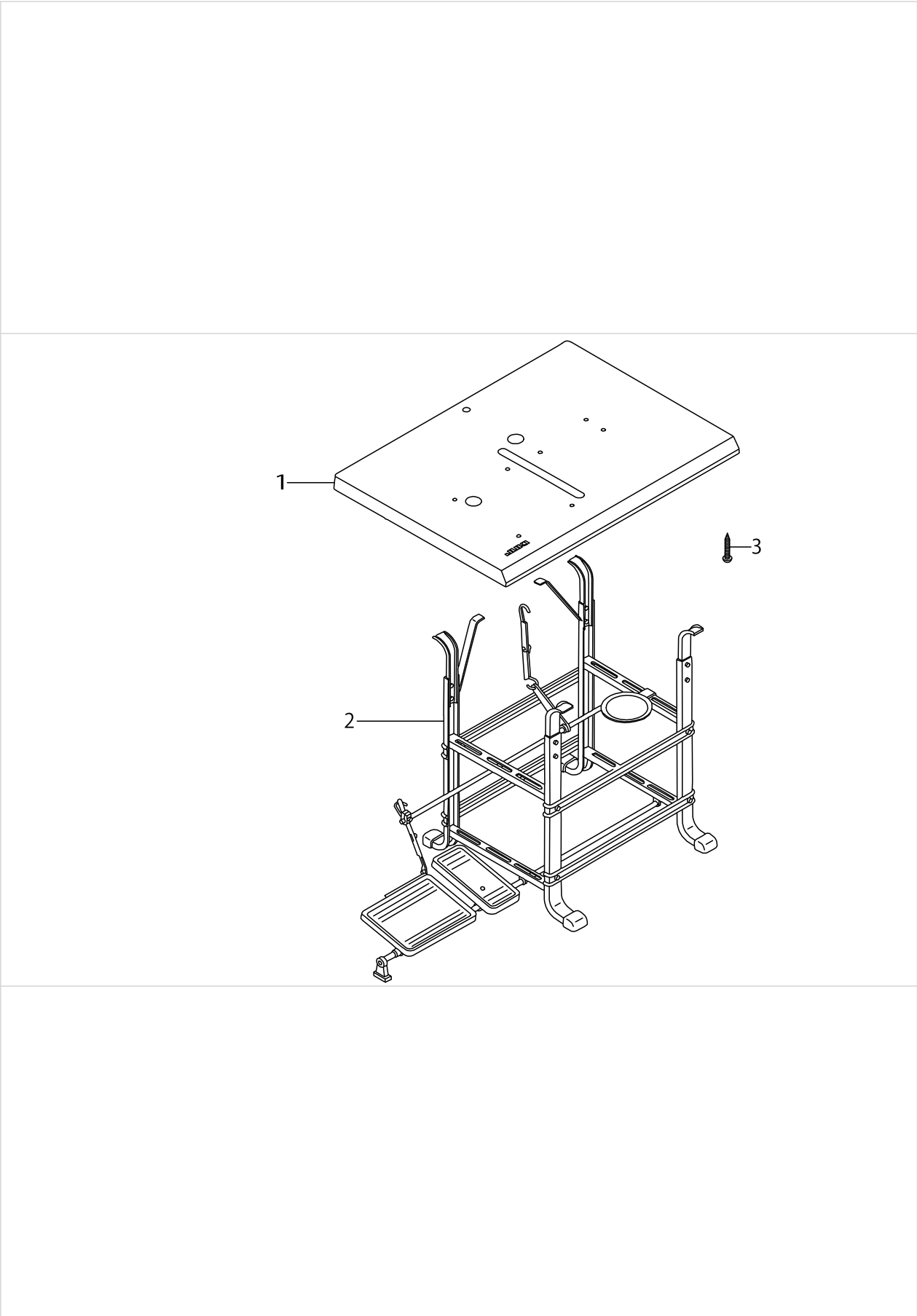


TABLE COMPONENTS

No.	Supply Code	Parts No.	Replacement	Parts name	Remarks	Choice	Step	Level	Cons	Qty	Rep. QTY
1		21159900		TABLE						1	
2	D	21158001		STAND						1	
3	R	SK3513200SC	SK3513201SE	WOOD SCREW D=5.1 L=32						4	1.00



ACCESSORIES PARTS COMPONENTS

No.	Supply Code	Parts No.	Replacement	Parts name	Remarks	Choice	Step	Level	Cons	Qty	Rep. QTY
1		26234005		VINYL COVER						1	
2		B9121141HA0		OILER ASM.						1	
3		SM9106503SE		SCREW M10 L=65						4	
4	R	NM6100011SE	NM6100011SF	NUT M10X8						4	1.00
5		WP1102016SC		WASHER 11X21X2						8	
6		21157508		CHAIN						1	
7		21157607		S-PLUG						1	
8		40052262		THREAD GUIDE PIN						1	
9		NS6620310SP		NUT 3/16-32						1	
10		21068556		OIL POT SET						1	
11		21068564		OIL POT ASM.				*		1	
12	R	21064803	21064753	OIL POT				*		1	1.00
13		PH0400402C0		PARALLEL PIN				*		1	
14		SS8090410SP		SCREW 9/64-40L=3.5				*		1	
15	R	21064704	21064753	OIL POT COVER				*		1	1.00
16		SS7090710SP		SCREW 9/64-40L=6.8				*		1	
17	R	21064902	21064753	COVER STOPPER				*		1	1.00
18		NS6060350SP		NUT 3/32-56				*		1	
19		B3114761000		FRAME THREAD GUIDE B				*		1	
20		22933006		SCREW DRIVER,LARGE						1	
21		12347308		SCREW DRIVER (SMALL)						1	
22		J106600000G		HEXAGONAL WRENCH KEY						1	
23		J106600000F		HEXAGONAL WRENCH KEY						1	
24		B9141372000		HEXAGONAL WRENCH, LARGE						1	
25		26034702		WRENCH						1	
26		B9113012000		WRENCH (9X10)						1	
27	D	MC532002304		NEEDLE (794 NM=230-4)						1	
28		21057401		BOBBIN						3	
29		B71140120A0		MOTOR CONNECTING ROD ASM.	H & M ONLY					1	
30		21064605		SUPPORTING ARM	OPTIONAL PARTS					1	
31		NS6150430SP		NUT 15/64-28	OPTIONAL PARTS					1	
32		SS7151210SP		SCREW 15/64-28L=12						1	
33		22932800		ACCESSORIE BAG						1	
34		CM600100201		WEEE INFORMATION SHEET						1	





## HOW TO MAKE USE OF THIS PARTS LIST

### 1.Explanation of codes

1)"\*"mark.....means this part is changed from the previous parts book.

As to the details of the change, refer to the "List for information of change".

2)"#01".....refer to "Note" explanation at bottom of page.

### 2.Codes on the "Qty" column

• Each numeral indicates the number of parts required.

• "0.1" and "2.5" indicate the length (in meters) of the respective parts.

3.Parentheses mean that the corresponding part is a subpart that constructs an assembly part.

4.Dotted lines on the Figures indicate assembly parts.

### 1."注記"欄の記号説明

1) "\*"印.....前回のパーツブックに比較して今回変更された部品を意味します。

変更内容は、"変更情報リスト"を参照してください。

2) "#01".....ページ下の"注記"の説明を参照してください。

2.数量欄の数字は、個数を表し、0.1、2.5等の数値は、長さ（単位メートル）を表します。

3.数量欄の（ ）は、組部品を構成している子部品であることを意味します。

4.イラストページの-----枠は、組構成であることを意味します。

# NUMERICAL INDEX OF PARTS

PART NO	PAGE	REF NO.	PART NO	PAGE	REF NO.	PART NO	PAGE	REF NO.
10502300	20	27	21048004	6	26	21056304	14	9
12347308	30	21	21048103	6	27	21057005	14	15
18125609	22	7	21048202	6	28	21057104	14	16
21026901	12	23	21048301	6	30	21057203	14	17
21040704	6	4	21048400	6	33	21057302	14	18
21040803	6	8	21048509	6	34	21057401	14	19
21041108	6	29	21048707	6	75	21057401	30	28
21041207	6	31	21048707	8	75	21057500	14	22
21041306	6	32	21048806	6	39	21057609	14	23
21041504	10	11	21048905	6	40	21057708	14	41
21041553	10	10	21049002	6	43	21057906	14	44
21041603	10	12	21049200	8	65	21059001	18	1
21041850	14	27	21049309	8	66	21059001	20	34
21044508	4	1	21049408	8	67	21059100	18	4
21044607	4	2	21049515	8	68	21059209	18	5
21044706	4	3	21049606	8	69	21059308	18	6
21044805	4	4	21049705	8	70	21059407	18	7
21044904	4	5	21049804	8	71	21059514	2	23
21045000	4	6	21049903	8	72	21059605	18	9
21045109	4	7	21050000	8	73	21059704	18	10
21045406	4	12	21050109	8	74	21059803	18	11
21045505	4	10	21050505	10	1	21059902	18	12
21045604	4	8	21050604	10	2	21060009	18	13
21045703	4	13	21050703	10	3	21060108	18	14
21045901	4	24	21050901	10	5	21060207	18	15
21046008	4	25~ 27-32	21051008	10	7	21061015	20	5
			21051107	10	8	21061056	20	3
21046107	4	25~ 27-32	21051206	10	9	21061106	20	7
			21051305	10	16	21061205	20	8
21046206	4	25~ 27-32	21051404	10	17	21061403	20	25
			21051503	10	18	21061601	20	29
21046313	4	28	21051602	10	19	21061700	20	32
21046503	6	1	21051701	10	20	21061759	20	31
21046602	6	2	21051800	10	21	21061908	20	39
21046701	6	36	21054408	12	16	21062500	22	3
21046800	6	5	21054507	12	14	21062609	22	13
21047006	6	15	21054606	12	11	21062708	22	5
21047105	6	16	21054705	12	17	21062807	22	1
21047204	6	17	21054804	12	18	21064605	30	30
21047303	6	19	21054903	12	22	21064704	30	15
21047402	6	20	21055504	14	1	21064803	30	12
21047501	6	21	21055603	14	2	21064902	30	17
21047600	6	22	21055702	14	3	21067855	4	11
21047709	6	23	21055801	14	4	21067905	20	1
21047808	6	24	21056205	16	47	21068259	2	1
21047907	6	25						

NUMERICAL INDEX OF PARTS

PART NO	PAGE	REF NO.	PART NO	PAGE	REF NO.	PART NO	PAGE	REF NO.
21068556	30	10	21156104	22	6	B3036141H00	6	41
21068564	30	11	21157300	24	9	B3114761000	30	19
21097506	10	15	21157508	30	6	B3125012000	18	3
21097605	2	15	21157607	22	8	B3125012000	20	36
21148507	2	2	21157607	30	7	B3126012000	18	2
21150305	2	4	21158001	28	2	B3126012000	20	35
21150404	2	14	21159603	2	3	B3129012B00	20	33
21151006	2	5	21159751	24	2	B3201158000	20	4
21151402	4	9	21159769	24	1	B3203158000	20	6
21151600	6	14	21159801	24	8	B3204232000	20	13
21151709	6	18	21159900	28	1	B3205232000	20	14
21151808	10	4	21161153	18	16	B3206232000	20	15
21151907	12	1	21165402	10	6	B3207158000A	20	19
21152004	12	2	21165501	10	14	B3208232000	20	16
21152103	12	3	21165550	10	13	B3211210000	20	17
21152251	12	4	21170303	12	45	B3212210000	20	12
21152400	12	5	21171004	12	44	B3413227000	22	14
21152509	12	6	21174602	2	13	B71140120A0	30	29
21152608	12	7	21174750	2	12	B9113012000	30	26
21152707	12	8	22901805	2	17	B9121141HA0	30	2
21152806	12	10	22904106	12	42	B9141372000	30	24
21152905	12	12	22904106	16	50	CM300200001	2	20·21
21153002	12	13	22932800	30	33	CM301200002	2	18
21153606	12	15	22933006	30	20	CM500300001	24	3
21153705	12	19	26034702	30	25	CM600100201	30	34
21153804	12	20	26234005	30	1	CQ202000000	4	14
21153903	12	21	40027078	4	25~ 27·32	CQ303000000	14	7
21154000	14	6	40052262	30	8	CS0951019SH	8	51
21154059	14	5	40096354	26	1	CS1111019SH	12	43
21154109	14	39	40183640	14	10	CS1471012SH	6	45
21154208	14	40	A3222958000	20	18	G5717343000	2	22
21154406	14	11	B1131562000	18	17	J106600000F	30	23
21154505	14	12	B1156026000	2	6	J106600000G	30	22
21154703	14	14	B1342591000	22	2	MC532002300	6	6
21154802	14	20	B1424158000	6	35	MC532002304	30	27
21154901	14	21	B1424158000	12	24	NM6100011SE	30	4
21155007	14	25	B1506059000	6	7	NS6060350SP	30	18
21155106	14	28~34	B1617241H00	12	25	NS6080210SP	20	11
21155205	14	28~34	B1618241H00	12	26	NS6090310SP	10	26
21155304	14	28~34	B1619241H00	12	9	NS6110310SP	20	24
21155403	14	28~34	B1662562000	10	29	NS6110350SP	8	63
21155502	14	28~34	B1806038000	14	24	NS6110420SP	14	42
21155601	14	28~34	B2510158000	20	38	NS6150310SP	18	20
21155700	14	28~34	B3035141H00	6	44	NS6150430SP	30	31
21156005	22	4				NS6160520SP	12	28

NUMERICAL INDEX OF PARTS

PART NO	PAGE	REF NO.	PART NO	PAGE	REF NO.	PART NO	PAGE	REF NO.
NS6620310SP	30	9	SS6151142TP	14	13	SS8660340SP	6	10
NS6680320SP	6	42	SS6151440SP	6	11	SS8660340SP	10	23
NS6680320SP	16	49	SS6151920SP	2	8	SS8660512TP	10	22
NS6680320SP	18	18	SS6621840SP	12	37	SS8660610TP	4	23
NS6680320SP	20	37	SS6660622TP	10	27	SS8660610TP	8	76
NS6680410SP	4	31	SS7081310SP	20	10	SS8660612TP	4	16
NS6680410SP	12	35	SS7090610SP	18	22	SS8660612TP	8	49
NS6720440SP	8	79	SS7090710SP	2	9	SS8660612TP	10	24
PH0400402C0	30	13	SS7090710SP	18	23	SS8660942TP	8	48
PS0250142KP	8	54	SS7090710SP	20	42	SS9702110SP	4	22
PS0300201KP	10	30	SS7090710SP	30	16	TA0290301M0	14	8
PT0405600SH	4	17	SS7091410SP	10	25	WP0501016SC	24	7
RE0400000K0	4	30	SS7110830SP	14	37	WP0740516SP	2	19
RE0700000K0	8	64	SS7110840SP	12	29	WP1102016SC	30	5
RE0700000K0	12	33	SS7110910SP	20	40	WZ0430390KP	2	10
RE0800000K0	8	81	SS7111110TP	2	11			
RE0800000K0	12	30	SS7111120SP	18	21			
SD0260271SP	14	26	SS7111120SP	20	2			
SD0600321SP	18	19	SS7111810SP	20	20			
SD0720193SP	20	21	SS7112420SP	8	62			
SD0790431SP	22	11	SS7112810SP	20	26			
SD0790432SP	22	12	SS7120910SP	2	7			
SD0790801SP	12	27	SS7150740SP	2	16			
SD0800341SP	22	16	SS7150740SP	12	38			
SD1070901TP	4	29	SS7150740SP	22	15			
SK3482000SC	24	6	SS7150740SP	24	5			
SK3513200SC	28	3	SS7151120SP	20	43			
SM6061552TP	8	77	SS7151210SP	8	60			
SM6061802TP	12	32	SS7151210SP	30	32			
SM6081802TP	8	78	SS7621040SP	10	28			
SM6081802TP	14	48	SS7621510SP	14	43			
SM6081802TP	16	48	SS8090410SP	30	14			
SM9106503SE	30	3	SS8110510SP	20	23			
SS1090410SL	18	24	SS8150310SP	6	9			
SS1681140SP	4	19	SS8150710SP	4	20			
SS2110915SP	4	21	SS8150710SP	8	80			
SS4080610SP	20	41	SS8150710SP	20	30			
SS5060410SP	20	9	SS8150750SP	12	40			
SS6080410SP	20	28	SS8150750SP	14	38			
SS6110480SP	24	4	SS8151150SP	12	41			
SS6110610TP	12	39	SS8151550SP	4	15			
SS6110710TP	6	12	SS8151550SP	14	46			
SS6111010SP	8	61	SS8660330SP	6	46			
SS6111210SP	6	13	SS8660330SP	12	34			
SS6121610TP	12	36	SS8660330SP	16	51			