

MODEL : MH-484-4&S060_PF-5/MH-484-5&S060_PF-5

List No : 0260-06

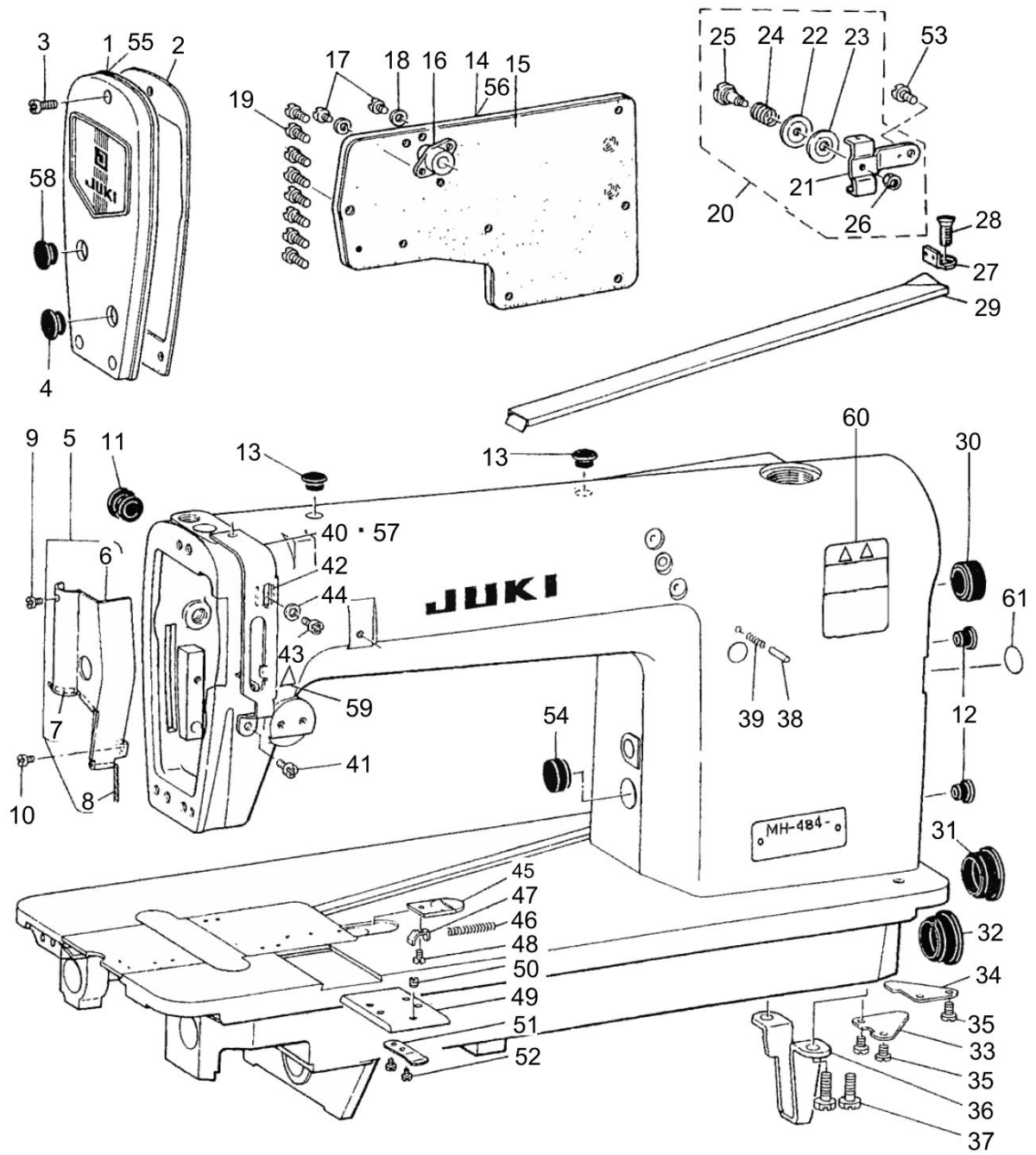
PARTS LIST

Published:05/12/2017

CONTENTS

MACHINE FRAME & MISCELLANEOUS COVER COMPONENTS (1)	1
MACHINE FRAME & MISCELLANEOUS COVER COMPONENTS (2)	5
MAIN SHAFT & NEEDLE BAR COMPONENTS	9
PRESSER BAR, UPRIGHT SHAFT & LOWER SHAFT COMPONENTS	13
FEED MECHANISM COMPONENTS (1).....	17
FEED MECHANISM COMPONENTS (2).....	21
DIFFERENTIAL FEED MECHANISM COMPONENTS.....	25
THREAD SPREADER COMPONENTS.....	27
LOOPER & NEEDLE GUARD COMPONENTS	29
THREAD TENSION CONTROLLER COMPONENTS	33
THREAD TRIMMER COMPONENTS	37
THREAD DRAW OUT SOLENOID COMPONENTS	41
WIPER COMPONENTS.....	45
OIL LUBRICATION MECHANISM COMPONENTS.....	49
OIL RESERVOIR & KNEE LIFTER COMPONENTS.....	51
THREAD STAND COMPONENTS.....	53
BELT COVER COMPONENTS.....	55
S060 GATHERING ATTACHMENT (SPECIAL ORDER PARTS)	57
PF-5: PEDAL/KNEE PRESSER CONTROLLED GATHERING MECHANISM (SPECIAL ORDER PARTS)	59
LIST FOR INFORMATION OF CHANGE (1).....	63
LIST FOR INFORMATION OF CHANGE (2).....	64
HOW TO MAKE USE OF THIS PARTS LIST	65

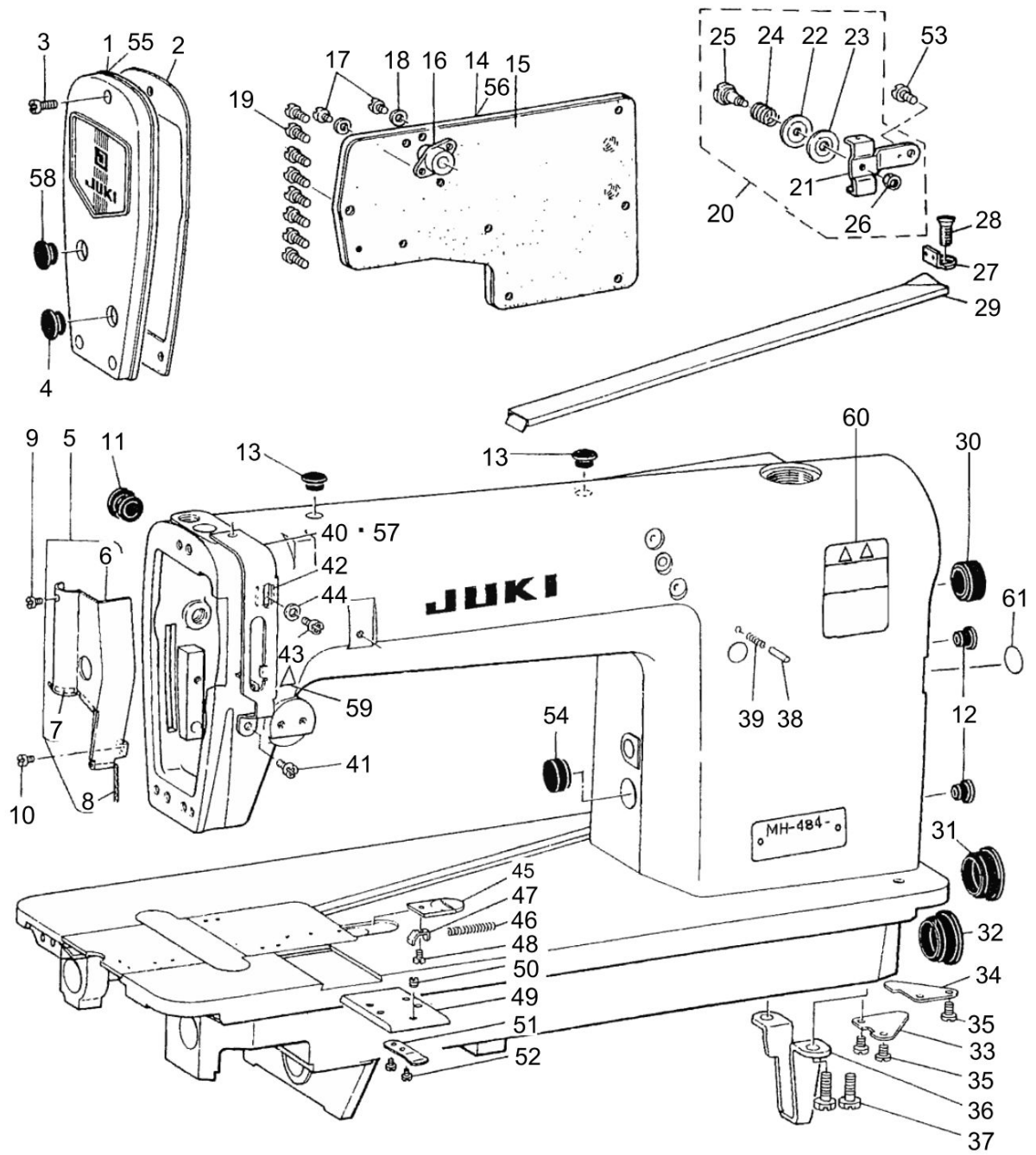
MACHINE FRAME & MISCELLANEOUS COVER COMPONENTS (1)



MACHINE FRAME & MISCELLANEOUS COVER COMPONENTS (1)

No.	Supply Code	Parts No.	Replacement	Parts name	Remarks	Choice	Step	Level	Cons	Qty	Rep. QTY
1		40114236		FACE PLATE ASM.						1	
2		B1122552000		FACE PLATE GASKET						1	
3		SS4111015SP		SCREW 11/64-40L=10						1	
4		TA1250406R0		RUBBER PLUG D=12.5 L=4						1	
5	D	B11304810A0		ARM OIL SHIELD ASM.						1	
6		B1130481000A		ARM OIL SHIELD				*		1	
7	D	B1131481000		NON-WOVEN FABRIC				*		1	
8	D	B1132481000		OIL WICK				*		1	
9		SS6080320SP		SCREW 1/8-44 L=2.5						1	
10		SS4110515SP		SCREW 11/64-40 L=5						1	
11		TA1250705R0		RUBBER PLUG						1	
12		TA0750704R0		RUBBER PLUG						4	
13		TA1050504R0		RUBBER PLUG						2	
14		D1118481C00		SIDE PLATE						1	
15		B1119481000		GASKET						1	
16		D3111481CA0		TENSION RELEASE SHAFT COLLAR ASM.						1	
17	R	SS6090630SP	SS6090630TP	SCREW 9/64-40 L=6						2	1.00
18		B3534012000		GASKET						2	
19		SS4110815SP		SCREW 11/64-40 L=8						8	
20		D1913481CA0		THREAD GUIDE ASM.						1	
21		D1913481C00		THREAD GUIDE				*		1	
22		B3148123000		TENSION DISC				*		1	
23		D1917481C00		TENSION DISC (LOWER)				*		1	
24	R	D1914481C00A	D1913481CA0	TENSION THREAD GUIDE SPRING				*		1	1.00
25		B1916481000		TAKE-UP THREAD TENSION POST				*		1	
26		NS6060310SP		NUT 3/32-56				*		1	
27		B2201481000A		LOOPER THREAD GUIDE						1	
28		SS1110710SP		SCREW 11/64-40 L=7						1	
29		B2202481000		LOOPER THREAD GUIDE TUBE						1	
30		TA2101002R0		RUBBER PLUG						1	
31		TA2351305R0		RUBBER PLUG						1	
32		TA2351004R0		RUBBER PLUG						1	
33		B1134481000		BED OIL SHIELD						1	
34		B1135481000		BED OIL SHIELD (B)						1	
35		SS7110510SP		SCREW 11/64-40 L=5						3	
36		B1106122000		BED SUPPORT PLATE						1	
37		SS9151120CP		SCREW 15/64-28L=11						2	
38		22912000		FEED REGULATOR PIN						1	
39		22912109		FEED REGULATOR PIN SPRING						1	
40		B1904481000		THREAD TAKE-UP LEVER GUARD						1	
41		SS4110515SP		SCREW 11/64-40 L=5						1	
42		B1903481000		TAKE-UP THREAD TENSION LEVER						1	
43		SS4110515SP		SCREW 11/64-40 L=5						1	
44		WP0480856SP		WASHER 4.8X8.4X0.8						1	
45		B1110481000A		CAM COVER LATCH						1	

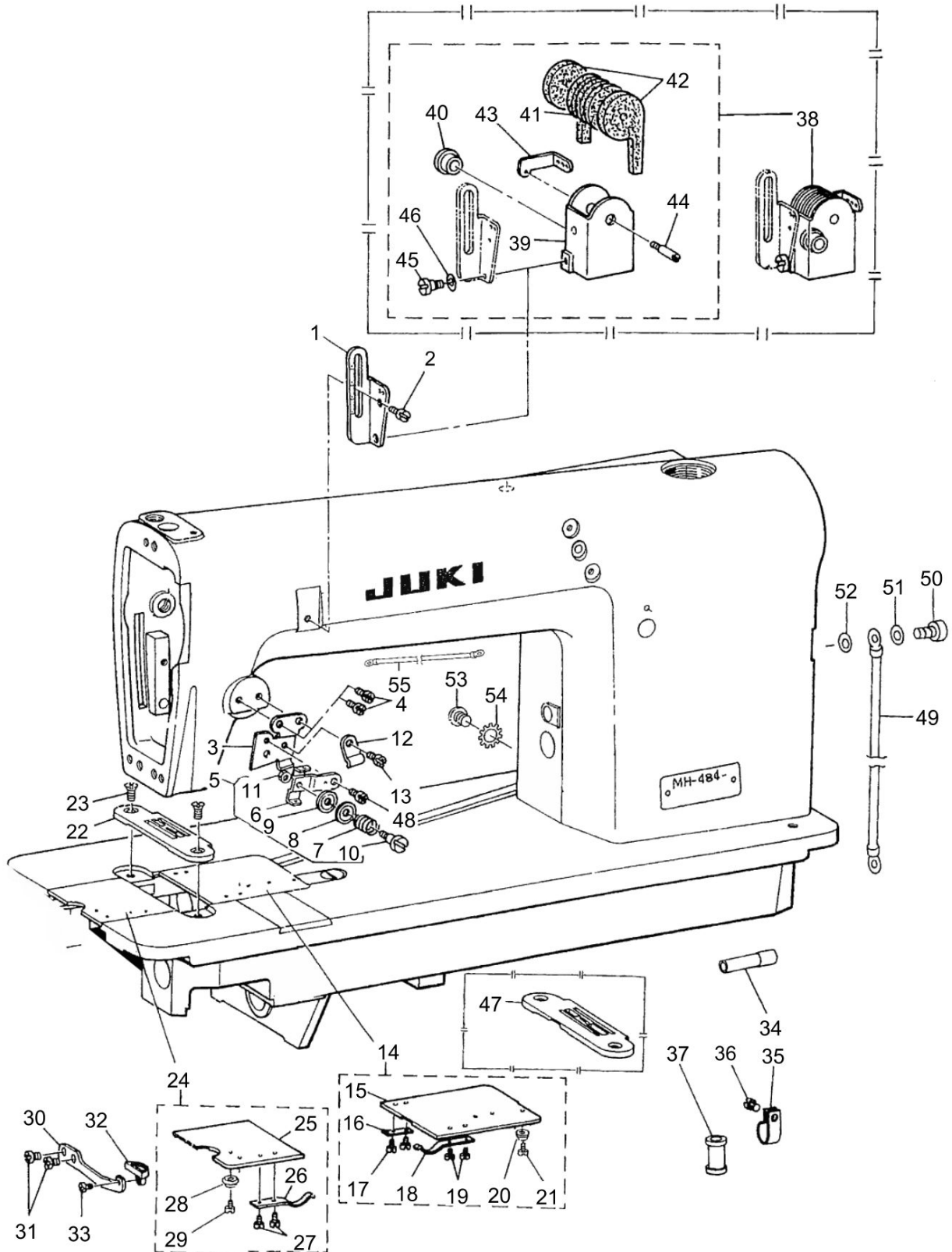
MACHINE FRAME & MISCELLANEOUS COVER COMPONENTS (1)



MACHINE FRAME & MISCELLANEOUS COVER COMPONENTS (1)

No.	Supply Code	Parts No.	Replacement	Parts name	Remarks	Choice	Step	Level	Cons	Qty	Rep. QTY
46		B1111481000		SPRING						1	
47		B1112481000A		SPRINGSUSPENSION						1	
48		SS6080320SP		SCREW 1/8-44 L=2.5						1	
49		B1111380000		ATTACHMENT INSTALLING PLATE						1	
50		SS8150310SP		SCREW 15/64-28 L=3.4						1	
51		B1112380000		SPRING						1	
52		SS6060220SP		SCREW 3/32-56 L=2.0						2	
53		SS4110515SP		SCREW 11/64-40 L=5						1	
54		TA1750502R0		RUBBER PLUG D=17.5 L=5						1	
55	R	B112155200A	B11215520AA	FACE PLATE	FOR URBAN WHITE					1	1.00
56		B111848100A		SIDE PLATE	FOR URBAN WHITE					1	
57		B190448100A		THREAD TAKE-UP LEVER COVER	FOR URBAN WHITE					1	
58		TA2050406R0		RUBBER PLUG						1	
59		CM300200001		ATTENTION SEAL	FOR JE,US- E IN JAPAN					1	
60		CM301200001		SAFETY LABEL_S						1	
61		22901805		GROUND MARK						1	

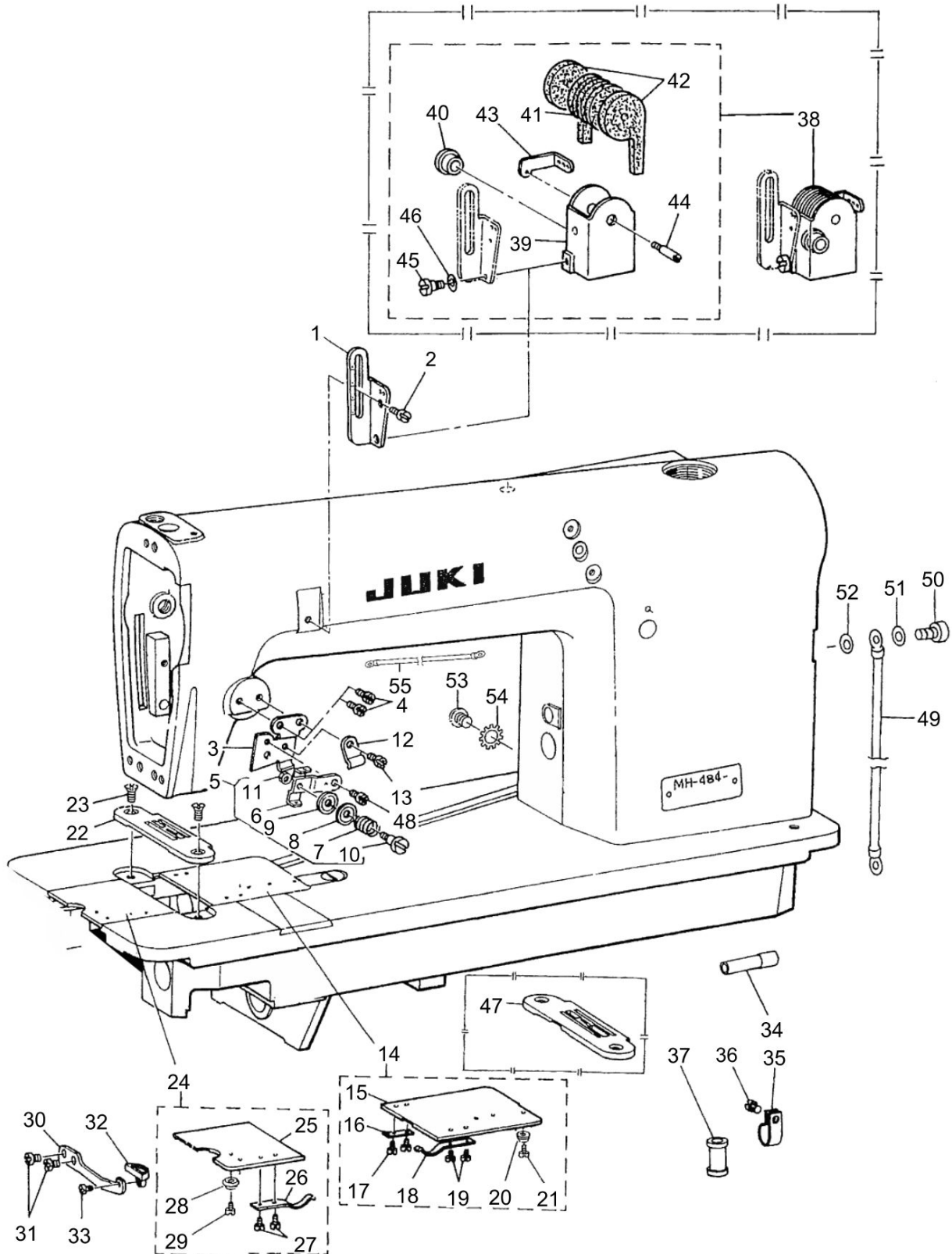
MACHINE FRAME & MISCELLANEOUS COVER COMPONENTS (2)



MACHINE FRAME & MISCELLANEOUS COVER COMPONENTS (2)

No.	Supply Code	Parts No.	Replacement	Parts name	Remarks	Choice	Step	Level	Cons	Qty	Rep. QTY
1		B1905380000		FRAME THREAD EYELET						1	
2		SS4110515SP		SCREW 11/64-40 L=5						1	
3		D1912481C00A		TENSION THREAD GUIDE						1	
4		SS4110515SP		SCREW 11/64-40 L=5						2	
5		D1913481CA0		THREAD GUIDE ASM.						1	
6		D1913481C00		THREAD GUIDE				*		1	
7	R	D1914481C00A	D1913481CA0	TENSION THREAD GUIDE SPRING				*		1	1.00
8		B3148123000		TENSION DISC				*		1	
9		D1917481C00		TENSION DISC (LOWER)				*		1	
10		B1916481000		TAKE-UP THREAD TENSION POST				*		1	
11		NS6060310SP		NUT 3/32-56				*		1	
12		D3916481C00		TUBE HOLDER						1	
13		SS4110515SP		SCREW 11/64-40 L=5						1	
14		B11064810A0A		CAM COVER ASM.						1	
15	R	B1106481000A	B11064810A0A	CAM COVER				*		1	1.00
16		B1108481000		CAM COVER SUPPORT				*		1	
17		SS6060210SP		SCREW 3/32-56 L=1.9				*		2	
18		B1109481000		SPRING				*		1	
19		SS6060210SP		SCREW 3/32-56 L=1.9				*		2	
20		B1107481000		CAM COVER GUIDE				*		1	
21		SS6060340SP		SCREW 3/32-56 L=2.5				*		1	
22		B1103484F00		THROAT PLATE						1	
23		SS2110920TP		SCREW 11/64-40 L=8.5						2	
24		D1104481CA0		BED SLIDE ASM.						1	
25	R	D1104481C00	D1104481CA0	BED SLIDE				*		1	1.00
26		B1115380000		SPRING				*		1	
27		SS6060210SP		SCREW 3/32-56 L=1.9				*		2	
28		B1107380000		BED SLIDE GUIDE				*		1	
29		SS6060340SP		SCREW 3/32-56 L=2.5				*		1	
30		B1105380000		BED SLIDE STOPPER						1	
31		SS4110515SP		SCREW 11/64-40 L=5						2	
32		B1106380000		LATCH						1	
33		SS4080415SP		SCREW 1/8-44 L=4						1	
34	D	D2480484D00		TUBE FOR MAGNET CORD						1	
35		D2112555B00		CORD HOLDER LARGE						1	
36		SS4150915SP		SCREW 15/64-28 L=9	FOR MH-484-4-4					1	
37		D2467555B00		RUBBER PLUG						1	
38		B11614810B0		SILICONE OIL LUBRICANT ASM.	SPECIAL ORDER PARTs					1	
39		B1161481000A		SILICON OIL CASE	SPECIAL ORDER PARTs			*		1	
40		TA1050504R0		RUBBER PLUG	SPECIAL ORDER PARTs			*		1	
41		B1162481000		SILICON OIL FELT	SPECIAL ORDER PARTs			*		5	
42		B1166481000		SILICON OIL FELT	SPECIAL ORDER PARTs			*		2	
43		B1167481000		SILICON THREAD GUIDE	SPECIAL ORDER PARTs			*		1	
44		B1168481000		SCREW	SPECIAL ORDER PARTs			*		1	

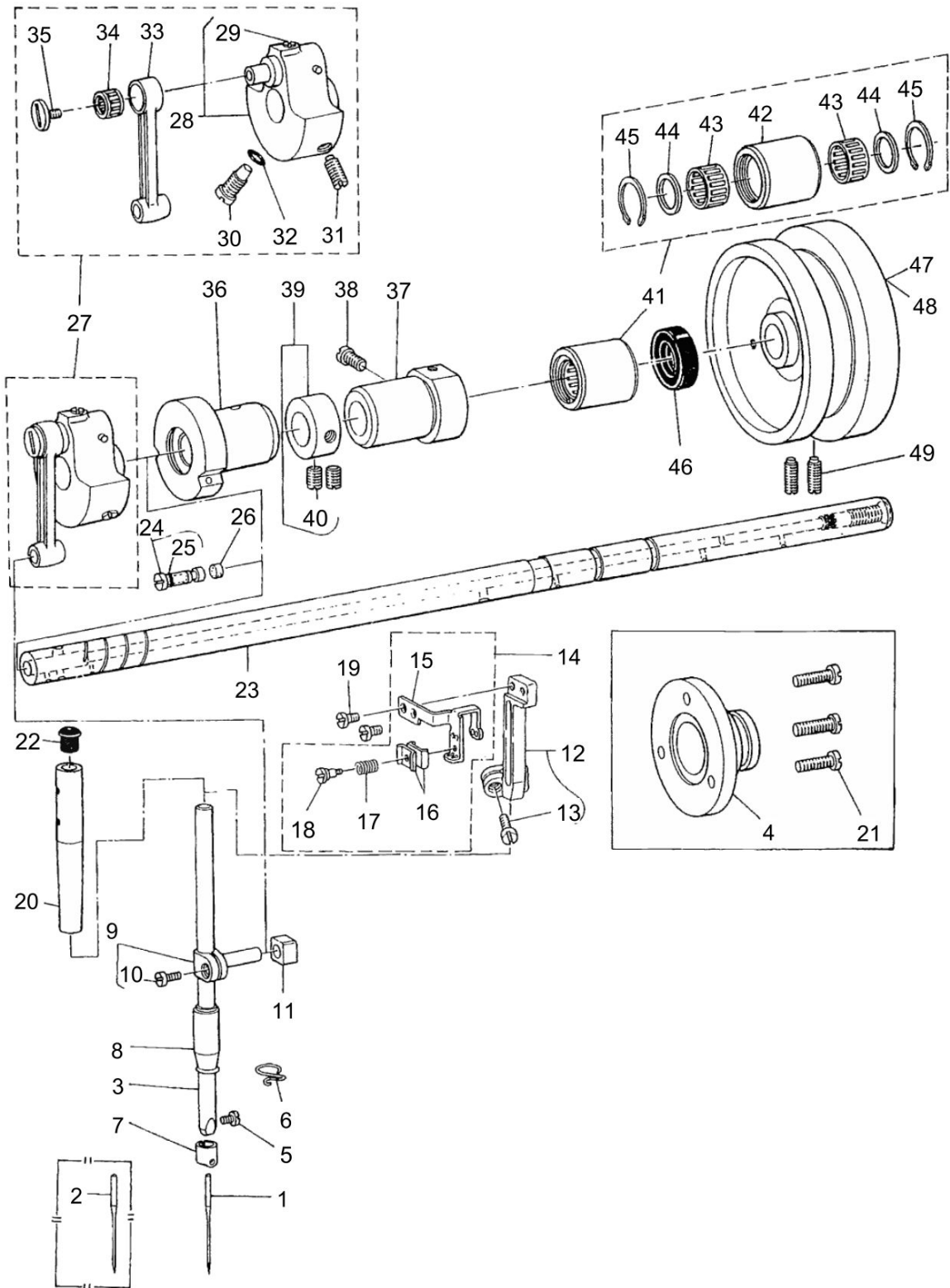
MACHINE FRAME & MISCELLANEOUS COVER COMPONENTS (2)



MACHINE FRAME & MISCELLANEOUS COVER COMPONENTS (2)

No.	Supply Code	Parts No.	Replacement	Parts name	Remarks	Choice	Step	Level	Cons	Qty	Rep. QTY
45		SD0640231SP		HINGE SCREW D=6.35 H=2.3	SPECIAL ORDER PARTs			*		1	
46		WZ0641510KP		WAVED WASHER 6.4X11X0.3	SPECIAL ORDER PARTs			*		1	
47	D	B1103484B00		THROAT PLATE	SPECIAL ORDER PARTs					1	
48		SS4110515SP		SCREW 11/64-40 L=5						1	
49		D9101481CA0		GLAND WIRE ASM.	FOR MH-484-4					1	
50		SS7150740SP		SCREW 15/64-28 L=7	FOR MH-484-4					1	
51		WP0621026SP		WASHER 6.2X9.5X1	FOR MH-484-4					1	
52		WT0640002KN		TOOTHED WASHER	FOR MH-484-4					1	
53		SS4110615SP		SCREW 11/64-40 L=6	FOR MH-484-5					1	
54		WT0530002KS		TOOTHED WASHER D=5.3	FOR MH-484-5					1	
55		22951552		GROUND WIRE ASM.	FOR MH-484-5					1	

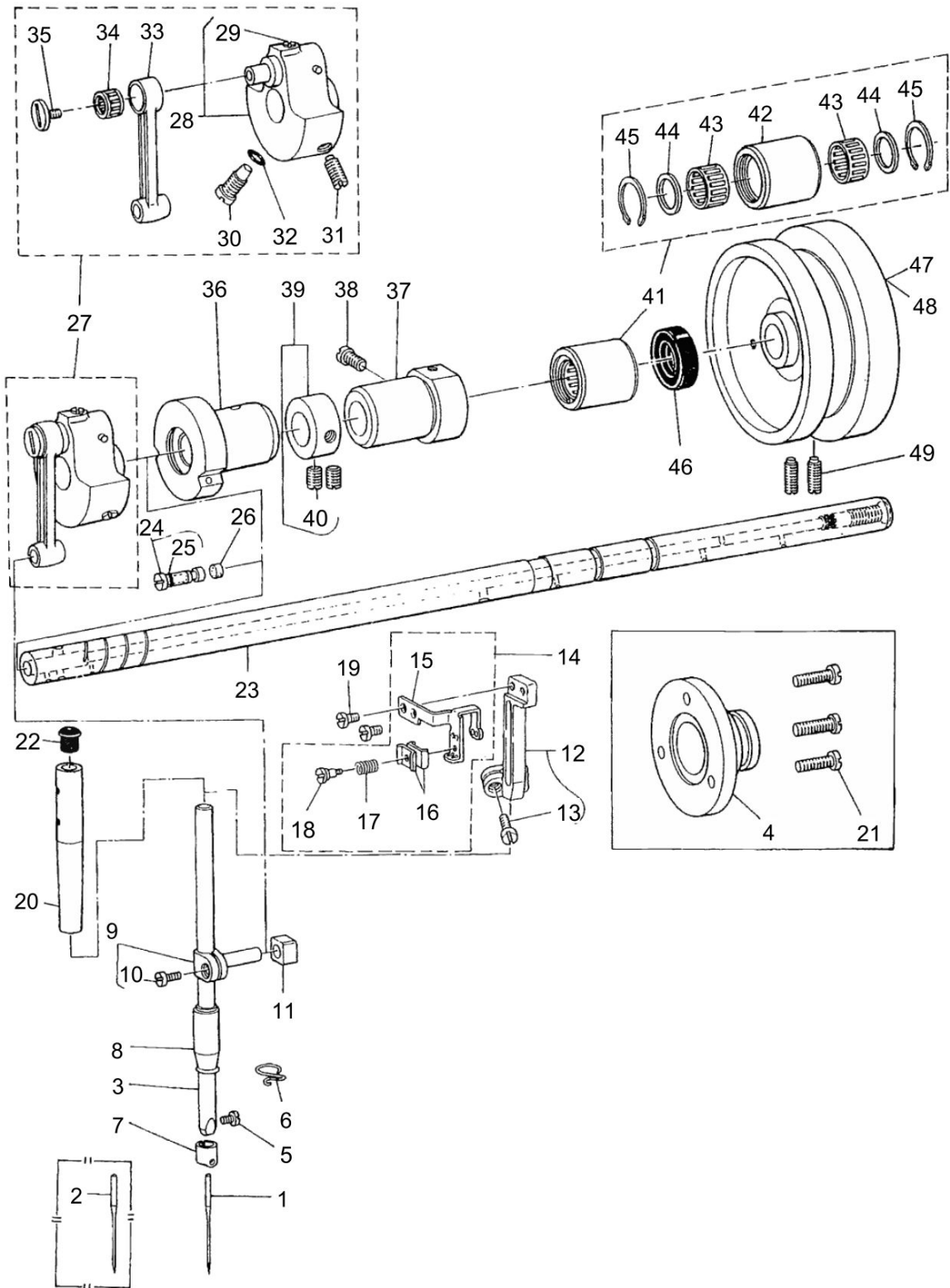
MAIN SHAFT & NEEDLE BAR COMPONENTS



MAIN SHAFT & NEEDLE BAR COMPONENTS

No.	Supply Code	Parts No.	Replacement	Parts name	Remarks	Choice	Step	Level	Cons	Qty	Rep. QTY
1		MTV700B1100		NEEDLE TVX7 #11						1	
2		MC380000750		NEEDLE UYX128GAS #75	SPECIAL ORDER PARTS					1	
3		B1401481000		NEEDLE BAR						1	
4		D1230552B00		FLANGE						1	
5		SS7080510TP		SCREW 1/8-44 L=4.5						1	
6		B1419155000		NEEDLE BAR THREAD GUIDE						1	
7		B1418552A00		NEEDLE THREAD GUIDE A						1	
8	R	B1403155000	22906200	NEEDLE BAR BUSHING LOWER						1	1.00
9		B14114810A0		NEEDLE BAR CONNECTION ASM.						1	
10		SS6090670TP		SCREW 9/64-40 L=6				*		1	
11		B1414555000		SLIDE BLOCK						1	
12		B19024810A0B		THREAD TAKE-UP LEVER ASM.						1	
13		SS6091210TP		SCREW 9/64-40 L=12				*		1	
14		D1901481CC0		THREAD TAKE-UP LEVER ASM.						1	
15		B1901481000A		THREAD TAKE-UP				*		1	
16		B1908481000A		THREAD TENSION REGULATING PLATE				*		2	
17		D1910481C00		TENSION SPRING				*		1	
18		B1909481000A		THREAD TENSION REGULATING STUD				*		1	
19		SS6090670TP		SCREW 9/64-40 L=6						2	
20		22906101		NEEDLE BAR BUSHING UPPER						1	
21	R	SS7111410SP	SS7111410TP	SCREW 11/64-40 L=14						3	1.00
22		22901409		NEEDLE BAR UPPER BUSH CAP						1	
23		B1201481000A		MAIN SHAFT						1	
24		B12135520A0A		OIL AMOUNT ADJUSTING PIN ASM.						1	
25		RO029180100		RUBBER RING				*		1	
26		B1226552000		ROLLER FELT						1	
27		B12064810A0		COUNTERWEIGHT ASM.						1	
28		B12064810B0		COUNTERWEIGHT ASM.				*		1	
29		SS8150710TP		SCREW 15/64-28 L=7				*		1	
30		SS7681650TP		SCREW 9/32-28 L=16				*		1	
31		SS8681650TP		SCREW 9/32-28 L=16				*		1	
32		RO044240100		RUBBER RING				*		1	
33		B1408481000		NEEDLE BAR CRANK ROD				*		1	
34		B1905541B00		NEEDLE BEARING	SELECTIVE PARTS			*		1	
35		B1903552000		LEFT SCREW				*		1	
36		B1202481000		BUSHING FRONT						1	
37		B1203481B00		BUSHING INTERMEDIATE						1	
38		SS7151120SP		SCREW 15/64-28 L=11						1	
39		CS147121ESH		THRUST COLLAR ASM.D=14.72 W=12						1	
40		SS8660810TP		SCREW 1/4-40 L=8				*		2	
41		D1204555DA0		MAIN SHAFT BUSHING REAR ASM.						1	
42		D1204555D00		MAIN SHAFT BUSHING REAR				*		1	
43	R	D1230555B00	D1230555B0A	NEEDLE BEARING	SELECTIVE PARTS	A		A:公差0~-0-.002/tolerance0~-0.002	*	1	1.00

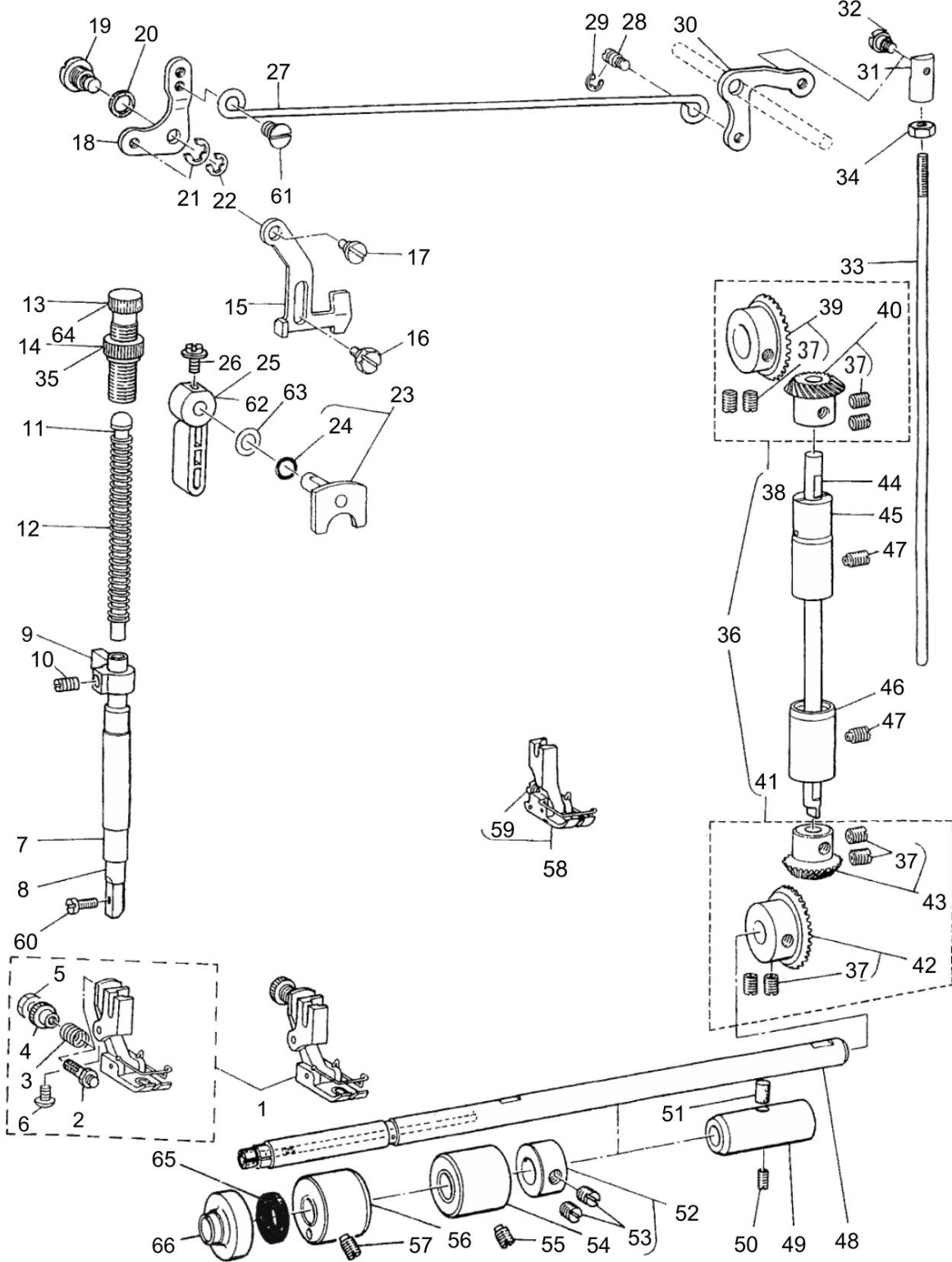
MAIN SHAFT & NEEDLE BAR COMPONENTS



MAIN SHAFT & NEEDLE BAR COMPONENTS

No.	Supply Code	Parts No.	Replacement	Parts name	Remarks	Choice	Step	Level	Cons	Qty	Rep. QTY
43	R	D1230555B00	D1230555B0B	NEEDLE BEARING	SELECTIVE PARTS	B	B:公差-0.0-0.02~-0.004/-tolerance--0.002~-0.004	*		1	1.00
43	R	D1230555B00	D1230555B0C	NEEDLE BEARING	SELECTIVE PARTS	C	C:公差-0.0-0.04~-0.006/-tolerance--0.004~-0.006	*		1	1.00
43	R	D1230555B00	D1230555B0D	NEEDLE BEARING	SELECTIVE PARTS	D	D:公差-0.0-0.06~-0.008/-tolerance--0.006~-0.008	*		1	1.00
44		D1231555B00		WASHER				*		2	
45		D1232555B00		SNAP RING				*		2	
46		D1208555D00		OIL SEAL						1	
47	R	D1217486D00	D1217486D0A	HAND WHEEL						1	1.00
48		D1217486D0A		HAND WHEEL	FOR URBAN WHITE					1	
49		SS8151550SP		SCREW15/64-28L=15						2	

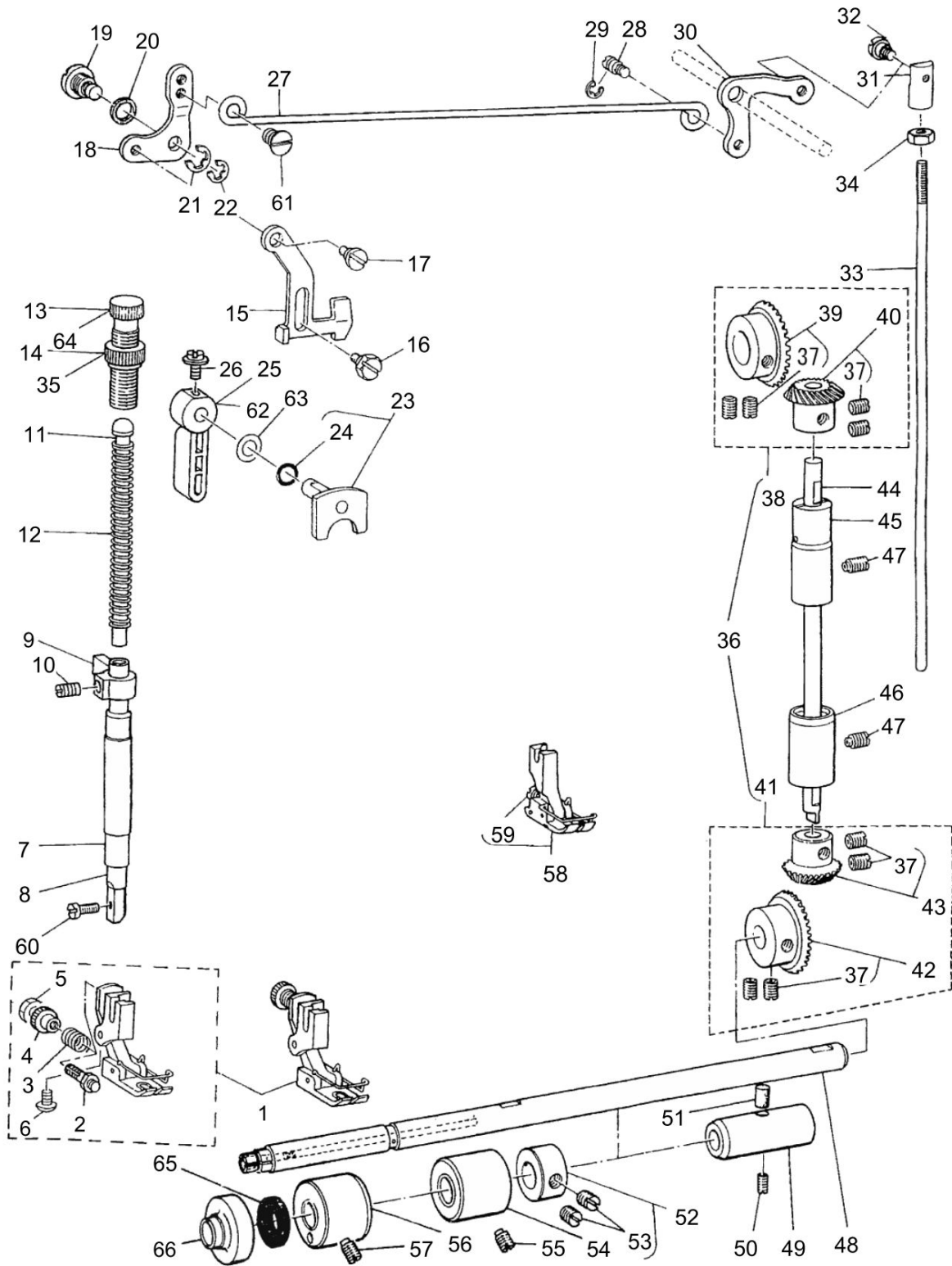
PRESSER BAR, UPRIGHT SHAFT & LOWER SHAFT COMPONENTS



PRESSER BAR, UPRIGHT SHAFT & LOWER SHAFT COMPONENTS

No.	Supply Code	Parts No.	Replacement	Parts name	Remarks	Choice	Step	Level	Cons	Qty	Rep. QTY
1		B1524481C00		SLIDING TYPE PRESSER FOOT ASM.						1	
2		B1532481C00		ADJUSTING SPRING STUD				*		1	
3	D	B1536481C00		AIR BLOW ADJUSTING PLATE SPRING				*		1	
4		B1533481C00		ADJUSTING SCREW				*		1	
5		NS6110310SP		NUT 11/64-40				*		1	
6		SS6060410TP		SCREW 3/32-56 L=3.5				*		1	
7		22907109		PRESSER BAR BUSHING LOWER						1	
8	R	22907000	40017805	PRESSER BAR						1	1.00
9		10178705		PRESSER BAR GUIDE BRACKET						1	
10		SS8660610TP		SCREW 1/4-40 L=6						1	
11		22907703		PRESSER GUIDE BAR						1	
12		22907406		PRESSER SPRING						1	
13	R	B1509555000	40011951	PRESSER SPRING REGULATOR						1	1.00
14	R	B1511555000	40012052	NUT						1	1.00
15		B1515552000		LIFTING LEVER						1	
16		SD0630275SP		HINGE SCREW D=6.35 H=2.7						1	
17		SD0630301SP		HINGE SCREW D=6.35 H=3						1	
18		B1516552000		LIFTING LEVER LINK						1	
19		D1517555B00A		HINGE PIN						1	
20		B3431581000		LIFTING LEVER GASKET						1	
21		B1523226000		SNAP RING						1	
22		RE0600000K0		E-RING 6						1	
23		B15185550A0		HAND LIFTER CAM ASM.						1	
24		RO037180100		RUBBER RING				*		1	
25		B1520552000A		HAND LIFTER						1	
26		B1521555000		SCREW						1	
27		B3412415000		LIFTING LEVER CONNECTING ROD						1	
28		B3416552000		CONNECTING ROD HINGE SCREW						1	
29		RE0500000K0		E-RING						1	
30	D	B3414415000A		LIFTING LEVER LINK RIGHT						1	
31		B3416415000A		SWIVEL						1	
32		SD0600322SD		HINGE SCREW D=6 H=3.2						1	
33		B3415481000		CONNECTING ROD VERTICAL						1	
34		NS6620310SP		NUT 3/16-32						1	
35	R	22907604	22907554	PRESSER SPRING REGULATOR NUT	FOR URBAN WHITE					1	1.00
36		B13084810C0		GEAR LOWER ASM.						1	
37		SS8660810TP		SCREW 1/4-40 L=8				*		8	
38		B13061550B0		GEAR & PINION ASM. UPPER				*		1	
39		B13050120A0		GEAR ASM.				*		1	
40		B13061550A0		PINION ASM.				*		1	
41		B13084810B0		GEAR & PINION ASM.				*		1	
42		B13084810A0		GEAR LOWER(LARGE)ASM.				*		1	
43		B13061550A0		PINION ASM.				*		1	
44		B1301481000A		UPRIGHT SHAFT						1	
45		B1302552B00		BUSHING UPPER						1	

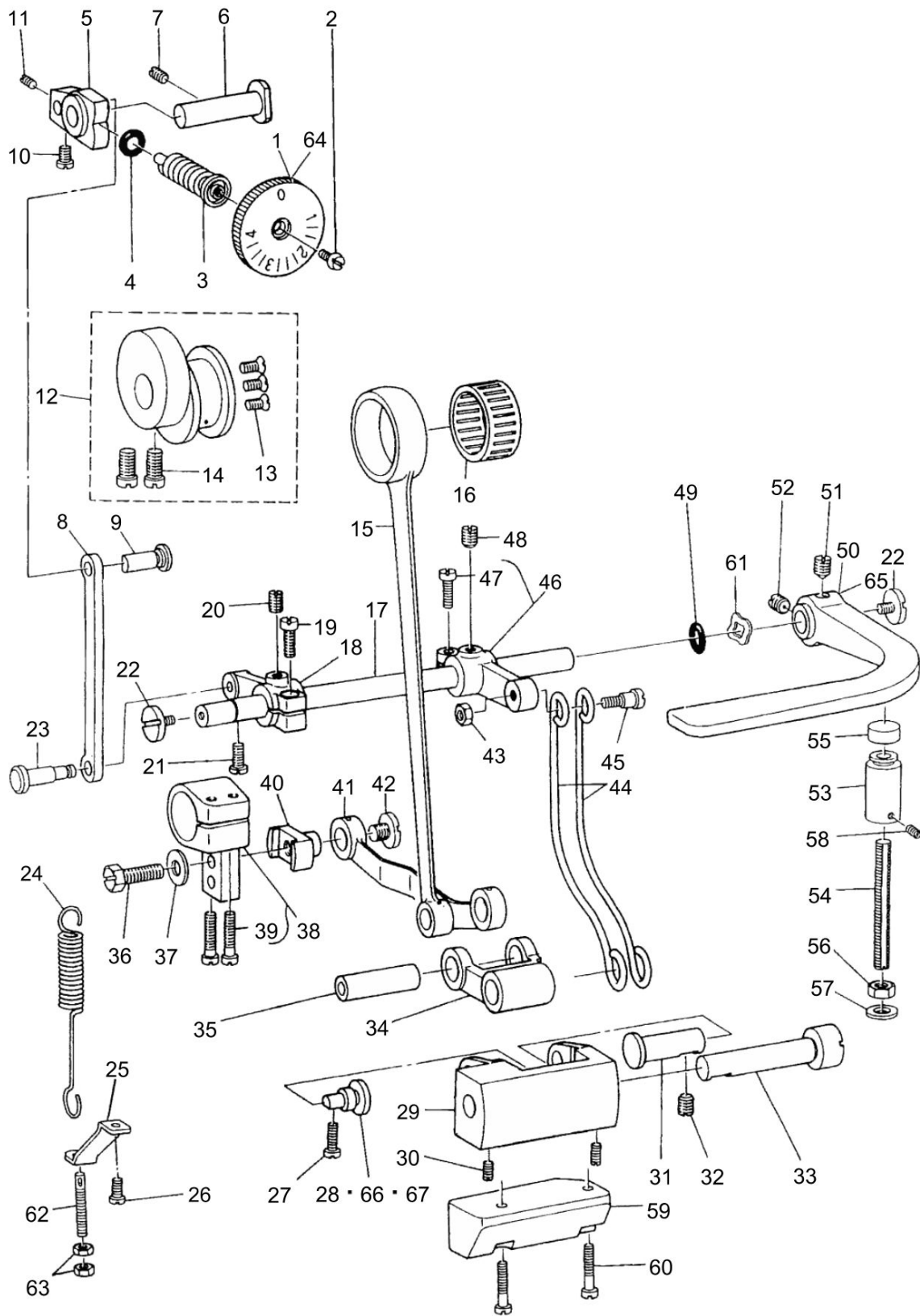
PRESSER BAR, UPRIGHT SHAFT & LOWER SHAFT COMPONENTS



PRESSER BAR, UPRIGHT SHAFT & LOWER SHAFT COMPONENTS

No.	Supply Code	Parts No.	Replacement	Parts name	Remarks	Choice	Step	Level	Cons	Qty	Rep. QTY
46		11004207		UPRIGHT SHAFT BUSHING LOWER						1	
47	R	SS8151150SP	SS8151150TP	SCREW 15/64-28 L=10.5						2	1.00
48	R	B1801481000A	40114250	LOWER SHAFT						1	1.00
49		B1607352000		BUSHING REAR						1	
50	R	SS8151150SP	SS8151150TP	SCREW 15/64-28 L=10.5						1	1.00
51		22814909		FELT						1	
52		CS111121ASH		THRUST COLLAR A-SM. D=11.11 W=12						1	
53		SS8660810TP		SCREW 1/4-40 L=8				*		2	
54		B1803481000		BUSHING INTERMEDIATE						1	
55	R	SS8151150SP	SS8151150TP	SCREW 15/64-28 L=10.5						1	1.00
56		B1802481000		BUSHING FRONT						1	
57	R	SS8151150SP	SS8151150TP	SCREW 15/64-28 L=10.5						1	1.00
58		B1524484DB0		PRESSER FOOT AS-M.(FINGER GUARD)						1	
59		SS5060310SP		SCREW 3/32-56 L=2.8				*		1	
60		SS7091110TP		SCREW 9/64-40 L=10.5						1	
61		22908909		HINGE SCREW						1	
62		22907802		HAND LIFTER	FOR URBAN WHITE					1	
63		WP0740516SP		WASHER 7.4X11.8X0.5						1	
64	R	22907505	22907554	PRESSER SPRING REGULATOR	FOR URBAN WHITE					1	1.00
65		B1813481000		OIL SEAL						1	
66	R	B2226481000	B22264810B0	LOOPER THREAD GUARD BUSHING						1	1.00

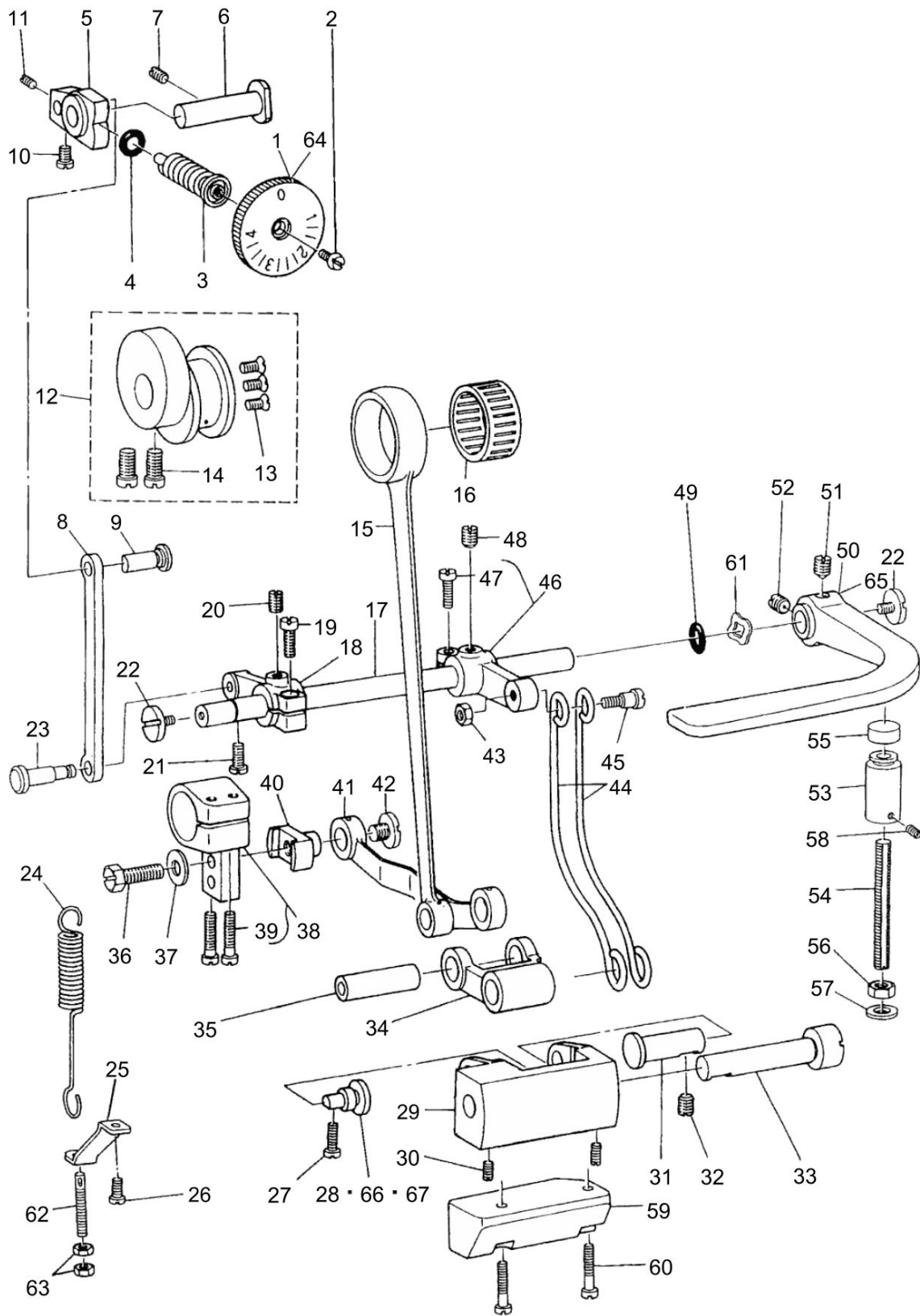
FEED MECHANISM COMPONENTS (1)



FEED MECHANISM COMPONENTS (1)

No.	Supply Code	Parts No.	Replacement	Parts name	Remarks	Choice	Step	Level	Cons	Qty	Rep. QTY
1		B1623555000A		FEED REGULATOR DIAL						1	
2	R	SS6120930SP	SS6120930TP	SCREW 3/16-28 L=9						1	1.00
3		B1634555000B		STITCH LENGTH REGULATING SCREW						1	
4		RO074240100		RUBBER RING						1	
5		B1620481000		FEED REGULATOR						1	
6		B1622555000		HINGE PIN						1	
7	R	SS8150710SP	SS8150710TP	SCREW 15/64-28 L=7						1	1.00
8		40114880		FEED REGULATOR CONNECTING ROD						1	
9		B1626555000		FEED REGULATOR CONNECTING ROD						1	
10		SS7110710SP		SCREW 11/64-40 L=7						1	
11	R	SS8110510SP	SS8110520TP	SCREW 11/64-40 L=5						1	1.00
12		B16104840A0		FEED ECCENTRIC CAM ASM.						1	
13		SS2110930SP		SCREW 11/64-40 L=8.7				*		3	
14		SS6661110SP		SCREW 1/4-40 L=11				*		2	
15		40114884		FEED ROCKER SHAFT CONNECTING ROD						1	
16		B1636581B00		NEEDLE BEARING B	SELECTIVE PARTS					1	
17		B1621555000A		CONTROL LEVER SHAFT						1	
18		40120458		CONTROL LEVER SHAFT CRANK						1	
19		SS6121210SP		SCREW 3/16-28 L=12						1	
20	R	SS8150710SP	SS8150710TP	SCREW 15/64-28 L=7						1	1.00
21	R	SS7110910SP	SS7110910TP	SCREW 11/64-40 L=8.5						1	1.00
22		SS7620750SP		SCREW 3/16-32 L=6.5						2	
23		B1628555000		TENSION SPRING SUSPENSION STUD						1	
24		B1646484000		TENSION SPRING						1	
25	D	B1632470000		TENSION SPRING SUSPENSION BRACKET						1	
26	R	SS7111120SP	SS7111120TP	SCREW 11/64-40 L=10.5						1	1.00
27	R	SS7110910SP	SS7110910TP	SCREW 11/64-40 L=8.5						1	1.00
28		B1619555000		FEED DRIVING ROCKER HINGE PIN						1	
29		B1617484000		FEED DRIVING ROCKER						1	
30		SS8110750SP		SCREW 11/64-40 L=6.5						2	
31	D	B1618484000		HINGE PIN						1	
32	R	SS8150710SP	SS8150710TP	SCREW 15/64-28 L=7						1	1.00
33		B1615484000		HINGE PIN						1	
34	D	B1614484000A		FEED DRIVING ROCKER ARM ASM.						1	
35	D	B1633484000		CONNECTING PIN						1	
36		SS9151630CP		SCREW 15/64-28 L=15.5						1	
37		WP0621016SD		WASHER 6.2X13X1						1	
38	D	B16084840A0		FEED ROCKER SHAFT CRANK ASM.						1	
39		SS6121850TP		SCREW 3/16-28 L=18				*		2	
40		B1607484000A		FEED ROCKER SHAFT CRANK PIN						1	
41		B1606484000		CONNECTING ROD						1	
42		SS6150610SP		SCREW 15/64-28 L=5.5						1	
43		NS6110310SP		NUT 11/64-40						1	
44		B1630484000		CONNECTING ROD						1	

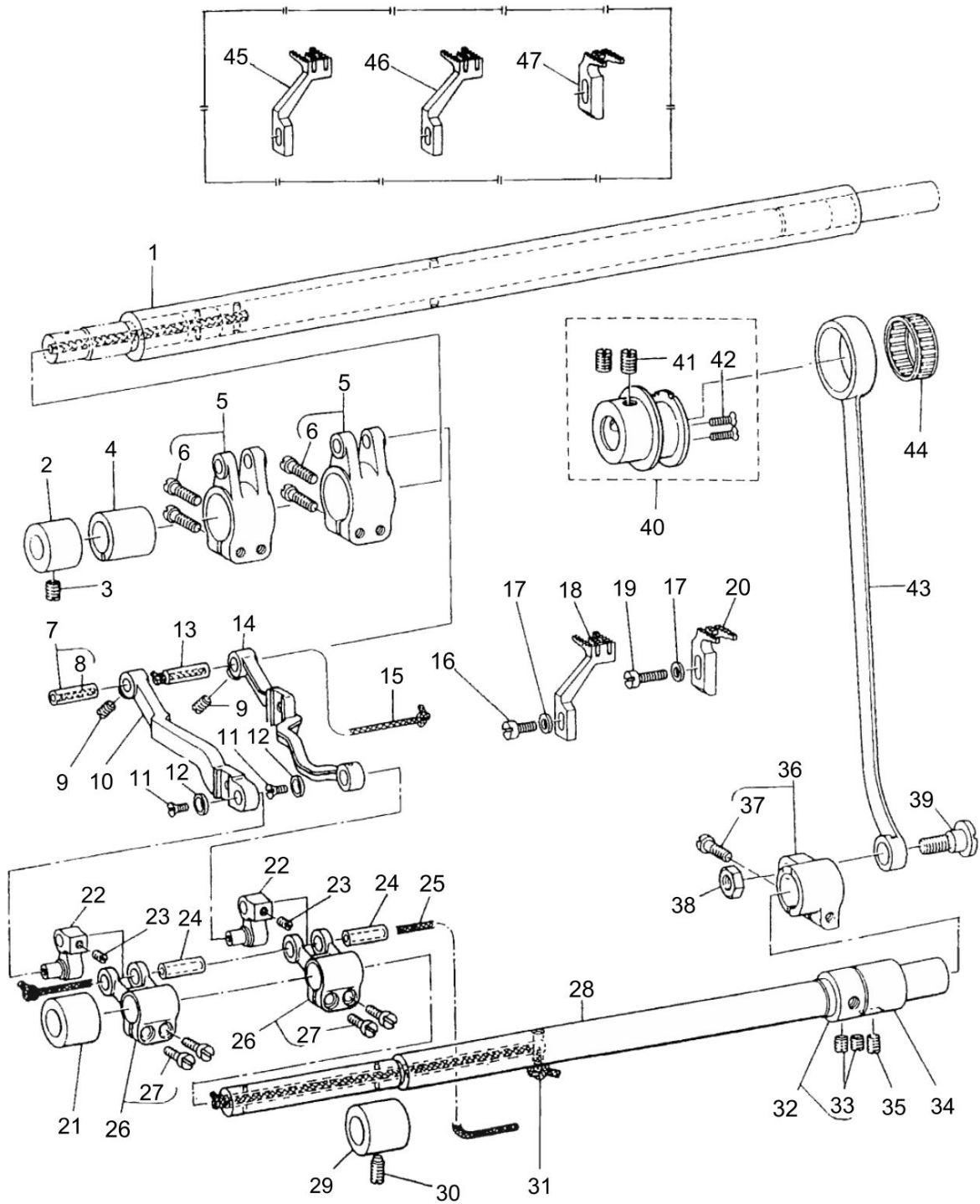
FEED MECHANISM COMPONENTS (1)



FEED MECHANISM COMPONENTS (1)

No.	Supply Code	Parts No.	Replacement	Parts name	Remarks	Choice	Step	Level	Cons	Qty	Rep. QTY
45		SD0790641SP		HINGE SCREW D=7.94 H=6.4						1	
46		B16294840A0A		CONTROL LEVER CRANK ASM.						1	
47		SS6121210SP		SCREW 3/16-28 L=12				*		1	
48	R	SS8150710SP	SS8150710TP	SCREW 15/64-28 L=7						1	1.00
49		RO069180100		RUBBER RING						1	
50	D	B1624555000		REVERSE FEED CONTROL LEVER						1	
51		SS8661040TP		SCREW 1/4-40 L=10						1	
52		SS8660810TP		SCREW 1/4-40 L=8						1	
53		B1660484000		LEVER STOPPER						1	
54		B1661481000		SCREW						1	
55		B1673484000		LEVER STOPPER R- UBBER CUSHION						1	
56		NS6150430SP		NUT 15/64-28						1	
57		WP0621016SD		WASHER 6.2X13X1						1	
58		SS8090540SP		SCREW 9/64-40 L=5						1	
59		B1631484000		FEED DRIVING ROCKER WEIGHT						1	
60	R	SS7111810SP	SS7111810TP	SCREW 11/64-40 L=18						2	1.00
61		WZ1052010KP		WAVED WASHER						1	
62	R	B1649161000	26226506	TENSION SPRING A- DJUSTING SCREW						1	1.00
63		NS6110420SP		NUT 11/64-40						2	
64		B1623555A00		FEED REGULATOR DIAL	FOR URBAN WHITE					1	
65		B162455500A		REVERSE FEED CONTROL LEVER	FOR URBAN WHITE					1	
66		40082080		FEED DRIVING ROCKER HINGE PIN	SELECTIVE PARTS					1	
67		40082081		FEED DRIVING ROCKER HINGE PIN	SELECTIVE PARTS					1	

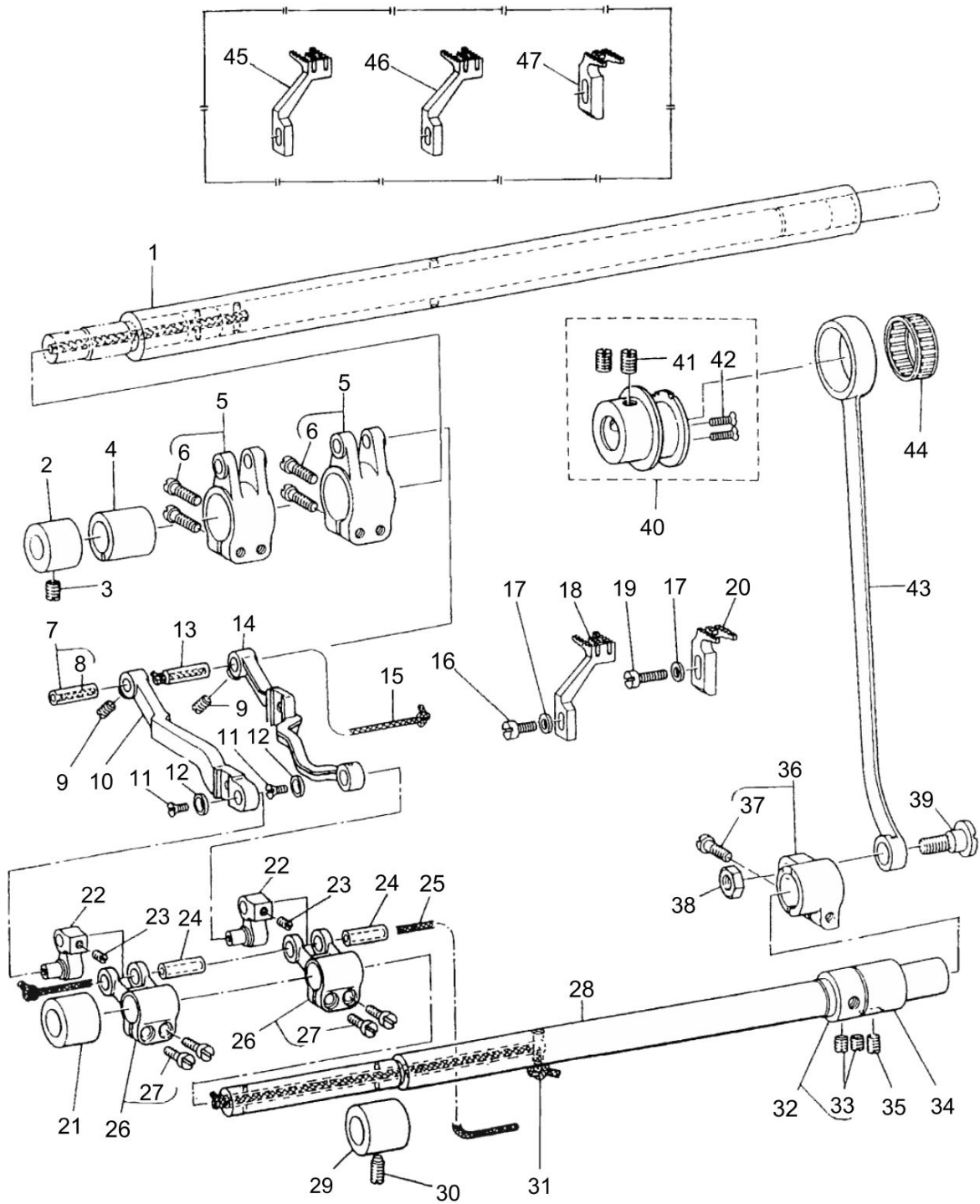
FEED MECHANISM COMPONENTS (2)



FEED MECHANISM COMPONENTS (2)

No.	Supply Code	Parts No.	Replacement	Parts name	Remarks	Choice	Step	Level	Cons	Qty	Rep. QTY
1		B1601484000		FEED ROCKERSHAFT						1	
2		B1604484000		FEED ROCKER SHAFT BUSHING						1	
3	R	SS8150710SP	SS8150710TP	SCREW 15/64-28 L=7						2	1.00
4		B1656484000		BUSHING						1	
5		B16034840A0		FEED ROCKER ASM.						2	
6		SS6121850TP		SCREW 3/16-28 L=18				*		4	
7		B16104300A0		PIN ASM.						1	
8		CQ202000000		OIL WICK				*		0.1	
9	R	SS8620610SP	SS8620610TP	SCREW 3/16-32 L=6						2	1.00
10		B1652484000		DIFFERENTIAL FEED BAR						1	
11		SS1080510SP		SCREW 1/8-44 L=5						2	
12		B1715481000		COUNTER-SUNK WASHER						2	
13		B1610430000		DIFFERENTIAL FEED ROCKER SHAFT						1	
14		B1602484000		FEED BAR						1	
15		CQ303000000		OIL WICK						.2	
16		SS7111110TP		SCREW 11/64-40 L=10.5						1	
17		WP0480856SP		WASHER 4.8X8.4X0.8						2	
18		B1653484F00		DIFFERENTIAL FEED DOG						1	
19		SS7111410TP		SCREW 11/64-40 L=14						1	
20		B1613484F00		MAIN FEED DOG						1	
21		40133993		FEED ROCKER SHAFT BUSHING						1	
22	R	B1713481000	B17134810A0	FEED BAR LINK						2	1.00
23		SS8110410TP		SCREW 11/64-40 L=3.5						2	
24		B1610430000		DIFFERENTIAL FEED ROCKER SHAFT						1	
25		CQ252000000		OIL WICK						.3	
26		B41033520A0		FEED ROCKER SHA- FT CRANK ASM.						2	
27		SS6621220SP		SCREW 3/16-32 L=12				*		4	
28		B1701481000		FEED DRIVING SHAFT						1	
29		40133993		FEED ROCKER SHAFT BUSHING						1	
30	R	SS8151150SP	SS8151150TP	SCREW 15/64-28 L=10.5						1	1.00
31		CQ303000000		OIL WICK						.2	
32		22904155		MAIN SHAFT THRU- ST COLLAR ASM.						1	
33		SS8660610TP		SCREW 1/4-40 L=6				*		2	
34		B1702155000		BUSHING REAR						1	
35	R	SS8150710SP	SS8150710TP	SCREW 15/64-28 L=7						1	1.00
36		B17031550A0		FEED DRIVING SHA- FT CRANK ASM.						1	
37		SS6121610TP		SCREW 3/16-28 L=15.5				*		1	
38		NS6680410SP		NUT 9/32-28						1	
39		SD1020701SP		HINGE SCREW D=10.2 H=7						1	
40	D	B17014840A0		FEED DRIVING CAM ASM.						1	
41		SS8660810TP		SCREW 1/4-40 L=8				*		2	
42		SS2090710TP		SCREW 9/64-40 L=7.2				*		2	
43		B1708481000		FEED DRIVING SHA- FT CONNECTING						1	
44	R	B171248100B	B171248100C	NEEDLE BEARING	SELECTIVE PARTS					1	1.00

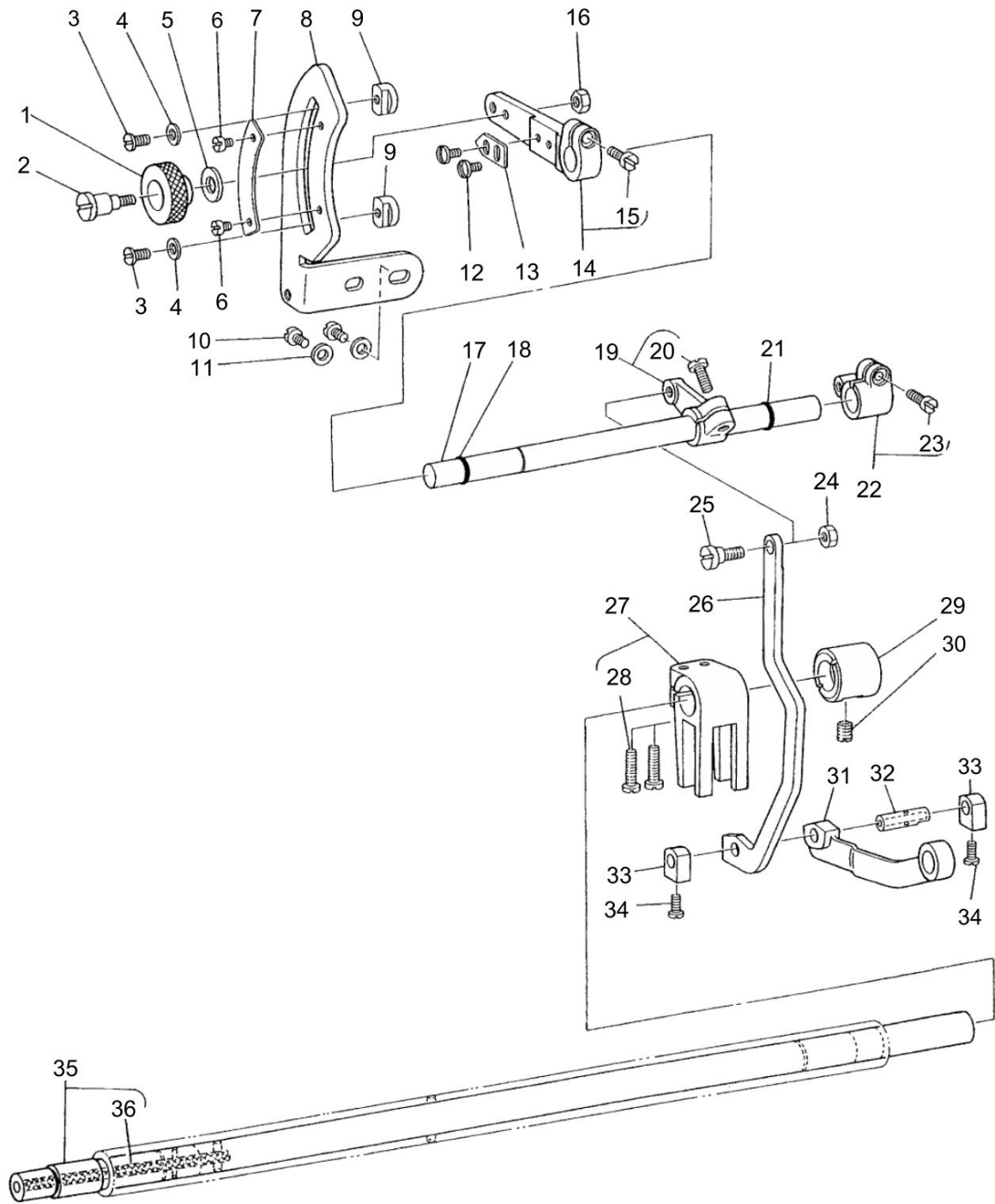
FEED MECHANISM COMPONENTS (2)



FEED MECHANISM COMPONENTS (2)

No.	Supply Code	Parts No.	Replacement	Parts name	Remarks	Choice	Step	Level	Cons	Qty	Rep. QTY
45		B1653484C00		DIFFERENTIAL FEED DOG	SPECIAL ORDER PARTS					1	
46	D	B1653484G00		DIFFERENTIAL FEED DOG	SPECIAL ORDER PARTS					1	
47		B1613484G00		FEED DOG (G)	SPECIAL ORDER PARTS					1	

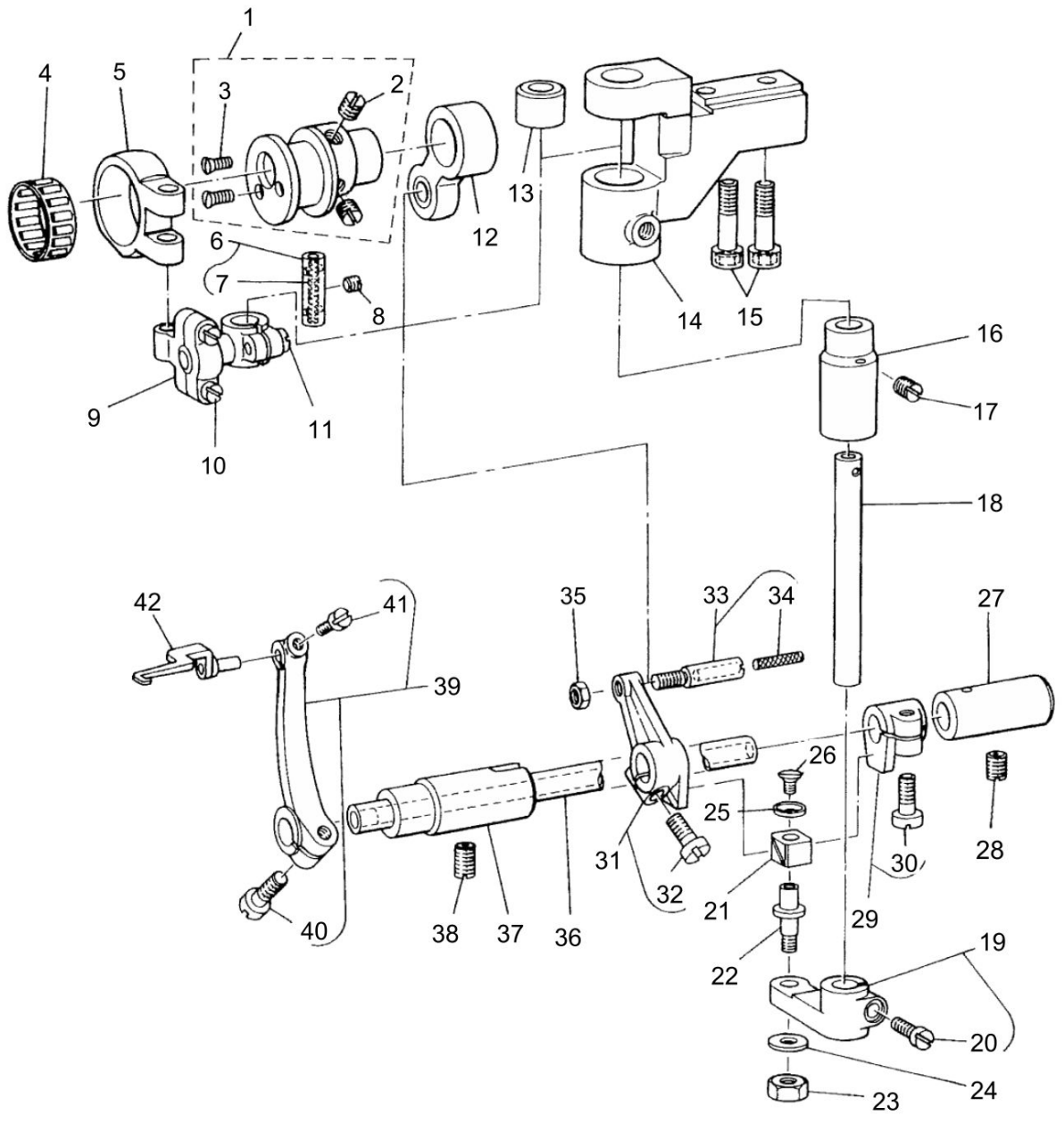
DIFFERENTIAL FEED MECHANISM COMPONENTS



DIFFERENTIAL FEED MECHANISM COMPONENTS

No.	Supply Code	Parts No.	Replacement	Parts name	Remarks	Choice	Step	Level	Cons	Qty	Rep. QTY
1		B1647704000A		DIFFERENTIAL FEED LOCK NUT						1	
2		B1670484000		SCREW						1	
3		SS5110810SP		SCREW 11/64-40 L=8						2	
4		WP0480856SP		WASHER 4.8X8.4X0.8						2	
5		WP0621016SD		WASHER 6.2X13X1						1	
6		SS6080320SP		SCREW 1/8-44 L=2.5						2	
7	D	B1667484000		DIFFERENTIAL FEED GRADUATION						1	
8		B1666484000		DIFFERENTIAL FEED LEVER BRACKET						1	
9	D	B1669484000		DIFFERENTIAL FEED STOPPER						2	
10		SS7110710SP		SCREW 11/64-40 L=7						2	
11		WP0480856SP		WASHER 4.8X8.4X0.8						2	
12		SS7090520TP		SCREW 9/64-40 L=4.5						2	
13		B1668484000		POINTER						1	
14	D	B16654840A0		DIFFERENTIAL FEED LEVER ASM.						1	
15	R	SS7111120SP	SS7111120TP	SCREW 11/64-40 L=10.5				*		1	1.00
16		NS6110420SP		NUT 11/64-40						1	
17		B1664484000		DIFFERENTIAL FEED LEVER SHAFT						1	
18		RO061180100		RUBBER RING						1	
19		B16634840A0		DIFFERENTIAL FEED ARM ASM.						1	
20		SS7111410TP		SCREW 11/64-40 L=14				*		1	
21		RO069180100		RUBBER RING						1	
22		B16714840A0		LEVER SHAFT CRANK ASM.						1	
23	R	SS7111120SP	SS7111120TP	SCREW 11/64-40 L=10.5				*		1	1.00
24		NS6620310SP		NUT 3/16-32						1	
25		SD0640322TP		HINGE SCREW D=6.35 H=3.2						1	
26	D	B1662484000		DIFFERENTIAL FEED ROCKER ROD						1	
27		B16584840A0		DIFFERENTIAL FEED ROCKER ASM.						1	
28		SS7111410TP		SCREW 11/64-40 L=14				*		2	
29		B1654484000		BUSHING REAR						1	
30	R	SS8150710SP	SS8150710TP	SCREW 15/64-28 L=7						1	1.00
31		B1657484000		CONNECTING ROD						1	
32		B1661484000		SLIDE BLOCK PIN						1	
33		B1659484000		SLIDE BLOCK						2	
34		SS4080620TP		SCREW 1/8-44 L=6						2	
35		B16514840A0		DIFFERENTIAL FEED SHAFT ASM.						1	
36		CQ303000000		OIL WICK				*		0.1	

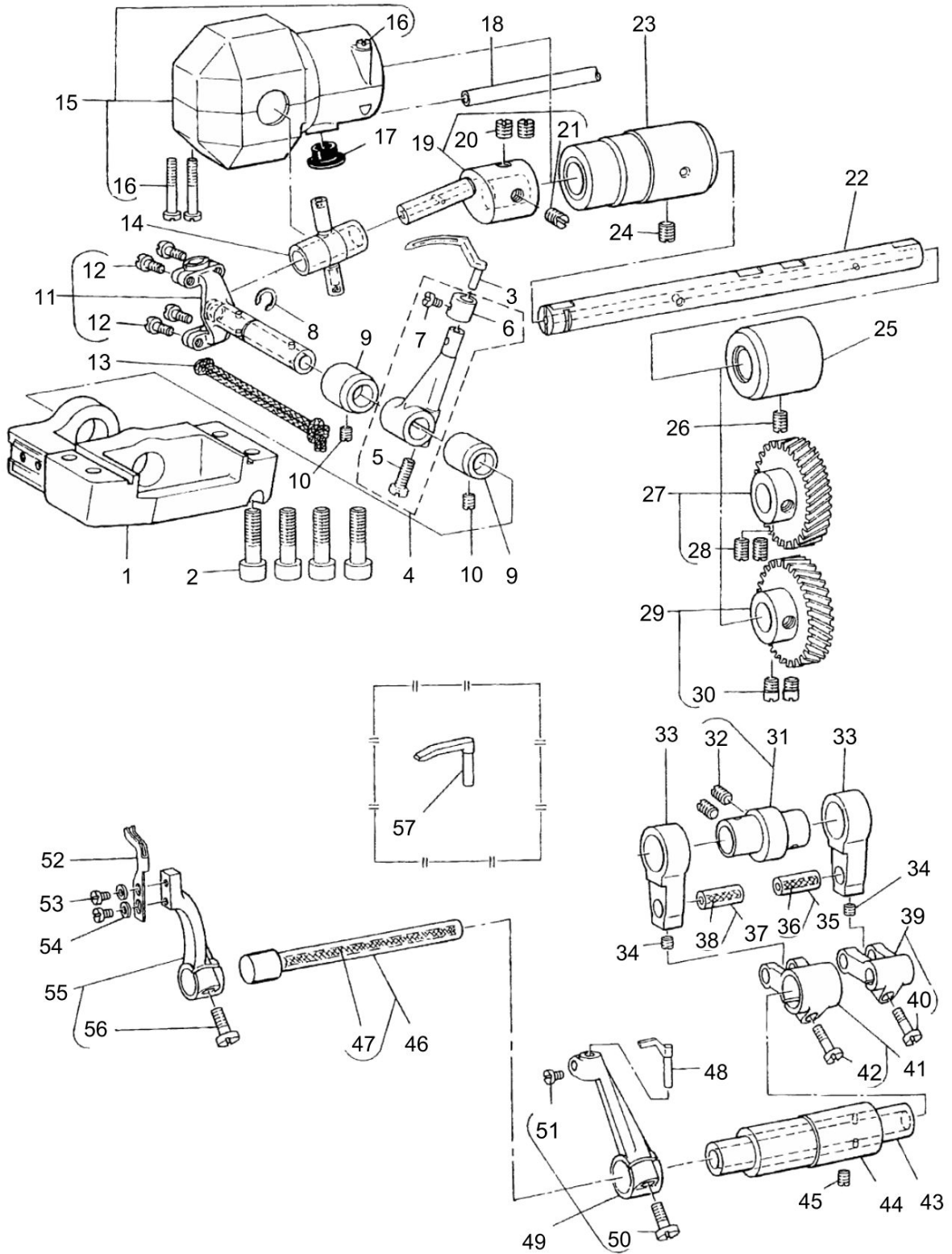
THREAD SPREADER COMPONENTS



THREAD SPREADER COMPONENTS

No.	Supply Code	Parts No.	Replacement	Parts name	Remarks	Choice	Step	Level	Cons	Qty	Rep. QTY
1		D2101481CA0		THREAD SPREADER ECCENTRIC ASM.						1	
2		SS8150710TP		SCREW 15/64-28 L=7				*		2	
3		SS2080810SP		SCREW 1/8-44 L=7.5				*		2	
4		B210348100B		BEARING	SELECTIVE PARTS					1	
5		B2105481000		LEFT & RIGHT DRIVING ROD A						1	
6	D	B14033520A0		PIN ASM.						1	
7		CQ202000000		OIL WICK				*		0.1	
8		SS8110410TP		SCREW 11/64-40 L=3.5						1	
9		B21064810A0		LEFT & RIGHT DRIVING ROD(B) ASM.						1	
10		SD0450701TP		HINGE SCREW D=4.5 H=7						1	
11		SS7111110TP		SCREW 11/64-40 L=10.5						1	
12		B21174810A0		FORE & AFT DRIVING ROD ASM.						1	
13		B2110481000A		BUSHING UPPER						1	
14		B2109481000A		MOUNTING BASE						1	
15		SM6062002TP		SCREW M6 L=20						2	
16		B2111481000A		BUSHING LOWER						1	
17	R	SS8150710SP	SS8150710TP	SCREW 15/64-28 L=7						1	1.00
18		B2108481000		LEFT & RIGHT DRIVING SHAFT						1	
19		B21124810A0		SLIDE BLOCK BRACKET						1	
20		SS7111110TP		SCREW 11/64-40 L=10.5				*		1	
21		B1414232000		SQUARE BLOCK						1	
22		B1827232000		SLIDE ROLLER STUD						1	
23		NS6120310SP		NUT 3/16-28						1	
24		WP0501016SD		WASHER 5X10.5X1						1	
25		B1715481000		COUNTER-SUNK WASHER						1	
26		SS1080510SP		SCREW 1/8-44 L=5						1	
27		B2124481000		BUSHING REAR						1	
28	R	SS8150710SP	SS8150710TP	SCREW 15/64-28 L=7						1	1.00
29		B21154810A0		SLIDE BLOCK ASM.						1	
30		SS6121220TP		SCREW 3/16-28 L=11.5				*		1	
31		B21204810A0		FORE & AFT DRIVING ARM ASM.						1	
32		SS6121220TP		SCREW 3/16-28 L=11.5				*		1	
33		B21194810A0		PIN						1	
34		CQ202000000		OIL WICK				*		0.1	
35		NS6120310SP		NUT 3/16-28						1	
36		B2122481000		THREAD SPREADER DRIVING SHAFT						1	
37		B2123481000		BUSHING FRONT						1	
38	R	SS8150710SP	SS8150710TP	SCREW 15/64-28 L=7						1	1.00
39		B21254810A0		THREAD SPREADER DRIVING ARM ASM.						1	
40		SS6121220TP		SCREW 3/16-28 L=11.5				*		1	
41		SS7090520TP		SCREW 9/64-40 L=4.5				*		1	
42		D2126481CA0		THREAD SPREADER ASM.						1	

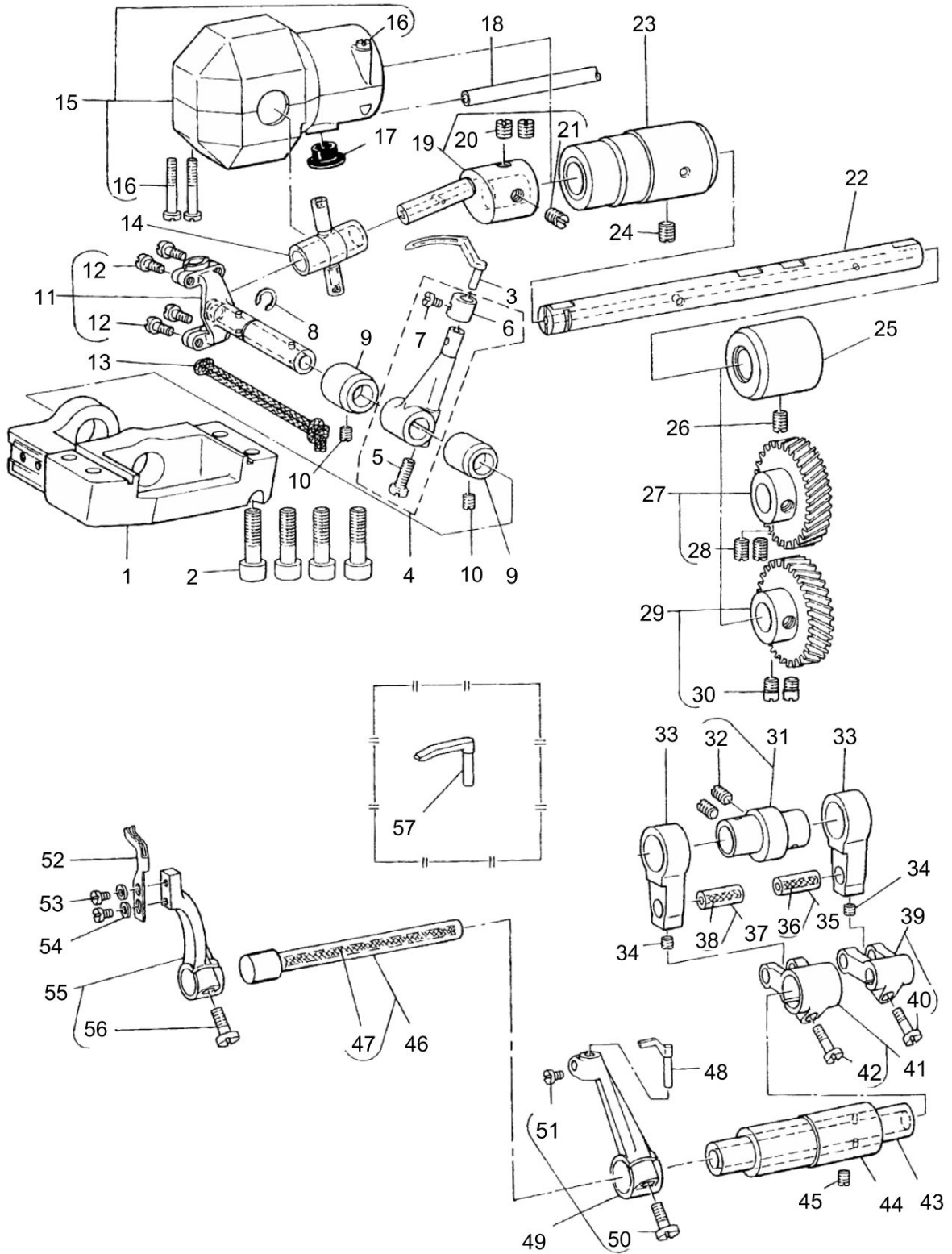
LOOPER & NEEDLE GUARD COMPONENTS



LOOPER & NEEDLE GUARD COMPONENTS

No.	Supply Code	Parts No.	Replacement	Parts name	Remarks	Choice	Step	Level	Cons	Qty	Rep. QTY
1	D	D2013481C00		LOOPER MOUNTING BASE						1	
2		SM6062002TP		SCREW M6 L=20						4	
3		B2030481000		LOOPER						1	
4		B20154810A0		LOOPER ROCKER ASM.						1	
5		SS6121220TP		SCREW 3/16-28 L=11.5				*		1	
6		B2025481000		COLLAR				*		1	
7		SS7090520TP		SCREW 9/64-40 L=4.5				*		1	
8		B2032481000		LOOPER DRIVING LINK SET RING						1	
9		B2012481000		BUSHING REAR						2	
10		SS8110410TP		SCREW 11/64-40 L=3.5						2	
11		B20104810A0		LOOPER ROCKER SHAFT ASM.						1	
12		SS7090910TP		SCREW 9/64-40 L=8.5				*		4	
13		CQ252000000		OIL WICK						.2	
14	R	B2008481000	B20084810A0	TRUNNION						1	1.00
15		B20144810A0		LOOPER CRANK COVER ASM.						1	
16		SS6092120SP		SCREW 9/64-40 L=21.2				*		3	
17		TA1050504R0		RUBBER PLUG						1	
18		BT0500300EA		OIL TUBE						.1	
19		B20064810A0		LOOPER CRANK(WITH SCREW)						1	
20		SS8660810TP		SCREW 1/4-40 L=8				*		2	
21		B2007481000		LOOPER CRANK AD- JUSTING SCREW				*		1	
22		B2001481000A		LOOPER CRANK DRIVING SHAFT						1	
23		B2002481000		BUSHING FRONT						1	
24	R	SS8150710SP	SS8150710TP	SCREW 15/64-28 L=7						1	1.00
25		B1803481000		BUSHING INTERMEDIATE						1	
26	R	SS8150710SP	SS8150710TP	SCREW 15/64-28 L=7						1	1.00
27		B20044810A0		GEAR UPPER						1	
28		SS8660810TP		SCREW 1/4-40 L=8				*		2	
29		B20054810AB		GEAR LOWER	SELECTIVE PARTS					1	
30		SS6660610TP		SCREW 1/4-40 L=6				*		2	
31		B23014810A0		NEEDLE GUARD CAM						1	
32		SS8150710TP		SCREW 15/64-28 L=7				*		2	
33		B2302481000		NEEDLE GUARD CRANK ROD						2	
34		SS8110410TP		SCREW 11/64-40 L=3.5						2	
35		B16104300A0		PIN ASM.						1	
36		CQ303000000		OIL WICK				*		0.1	
37		B16104300A0		PIN ASM.						1	
38		CQ303000000		OIL WICK				*		0.1	
39	D	B23034810A0		LOOP GUIDE ROCKER FORK						1	
40		SS7111110TP		SCREW 11/64-40 L=10.5				*		1	
41		B23044810A0		REAR NEEDLE GUA- RD ROCKER FORK						1	
42		SS7111310TP		SCREW 11/64-40 L=12.8				*		1	
43		B2306481000		NEEDLE GUARD DRIVING SHAFT						1	
44		B2307481000		BUSHING						1	
45	R	SS8150710SP	SS8150710TP	SCREW 15/64-28 L=7						1	1.00

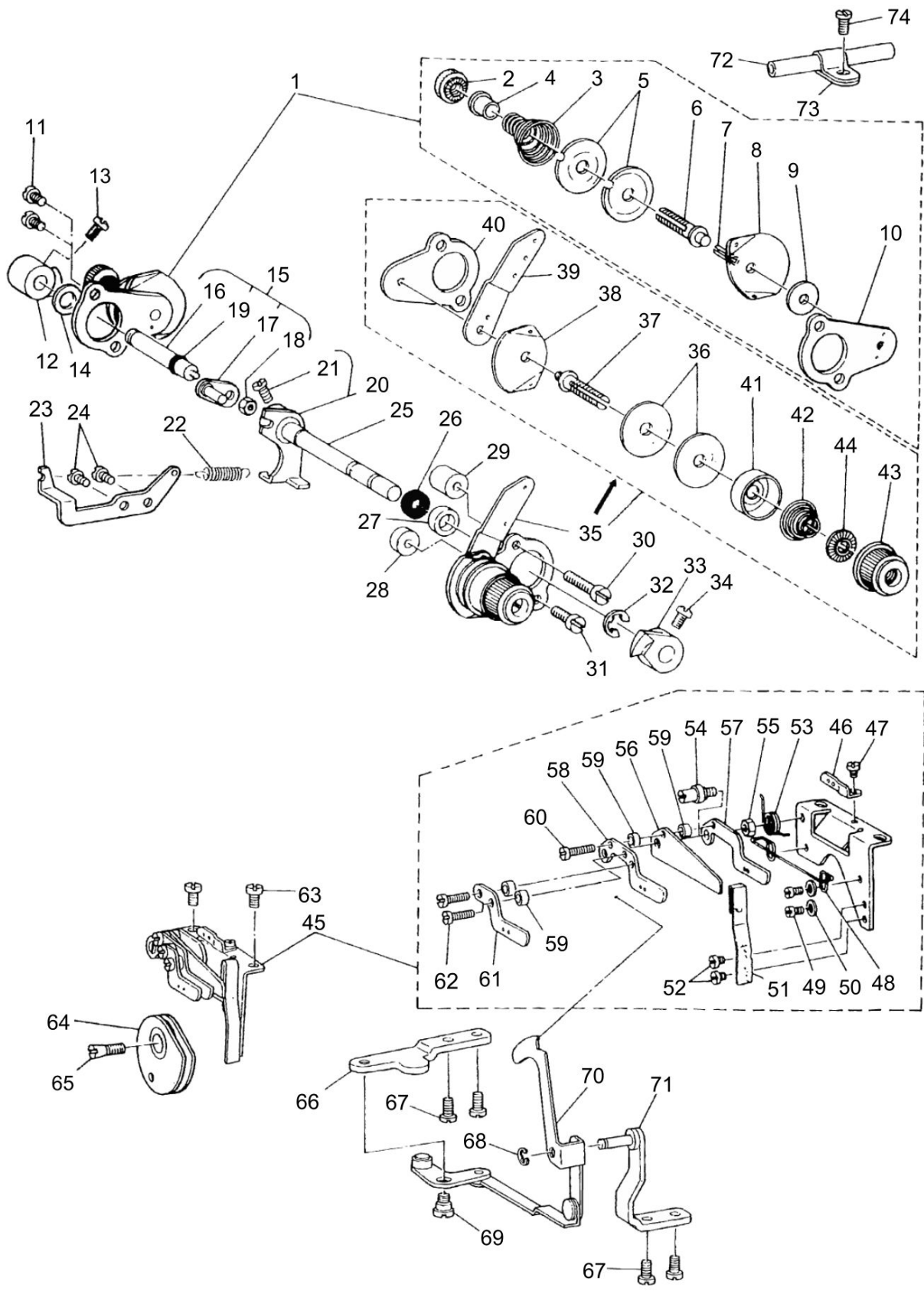
LOOPER & NEEDLE GUARD COMPONENTS



LOOPER & NEEDLE GUARD COMPONENTS

No.	Supply Code	Parts No.	Replacement	Parts name	Remarks	Choice	Step	Level	Cons	Qty	Rep. QTY
46		B23054810A0		LOOP GUIDE DRIVING SHAFT ASM.						1	
47		CQ252000000		OIL WICK				*		0.3	
48		B2311481000A		NEEDLE GUARD						1	
49		B23094810A0		REAR NEEDLE GUARDROCKERARMASM.						1	
50		SS6121220TP		SCREW 3/16-28 L=11.5				*		1	
51		SS7090910TP		SCREW 9/64-40 L=8.5				*		1	
52		B2310481000		LOOP GUIDE						1	
53		SS7090520TP		SCREW 9/64-40 L=4.5						2	
54		WP0371026SD		WASHER 3.7X7X1						2	
55		B23084810A0		LOOP GUIDE ROCKER ARM ASM.						1	
56		SS6121220TP		SCREW 3/16-28 L=11.5				*		1	
57		B2312481000		NEEDLE GUARD	SPECIAL ORDER PARTS					1	

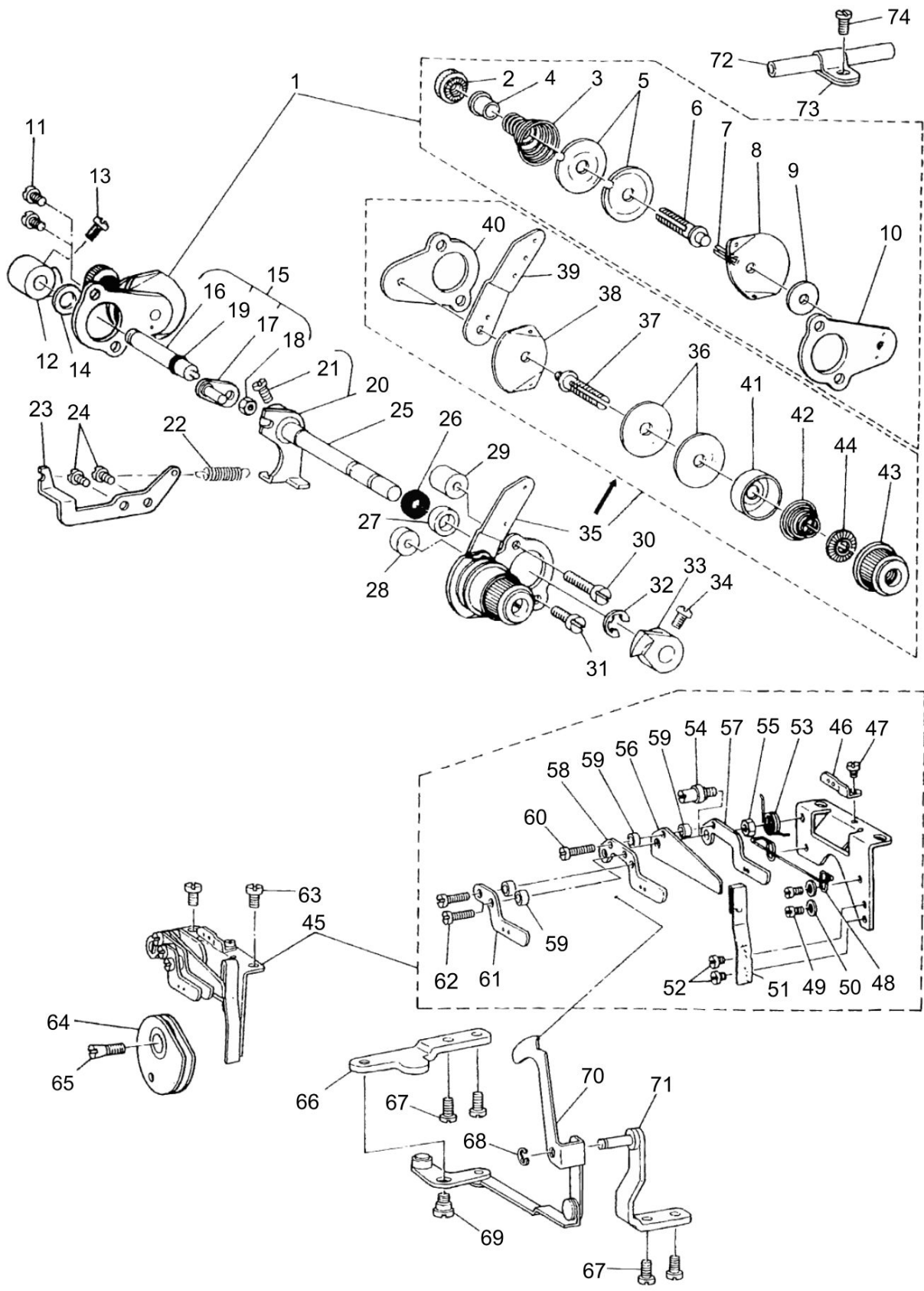
THREAD TENSION CONTROLLER COMPONENTS



THREAD TENSION CONTROLLER COMPONENTS

No.	Supply Code	Parts No.	Replacement	Parts name	Remarks	Choice	Step	Level	Cons	Qty	Rep. QTY
1		D3103481DA0		LOOPER THREAD TENSION ASM.						1	
2		11072204		TENSION NUT				*		1	
3		B3106481000		LOOPER THREAD T- ENSION SPRING				*		1	
4		B3120125000		ROTATING STOPPER				*		1	
5		B3126352000		TENSION DISC				*		2	
6		B3104481000		LOOPER THREAD TENSION POST				*		1	
7		PS0200102KH		SPRING PIN 2.0X10				*		1	
8		B3106380000		THREAD GUIDE				*		1	
9		WP0851216SC		WASHER 8.5X18.0X1.2				*		1	
10		B3101481000		TENSION CONTROL- LER INSTALLING				*		1	
11		SS4110715SP		SCREW 11/64-40 L=7						2	
12		B3121481000		LOOPER THREAD T- ENSION RELEASE						1	
13		SS6110420TP		SCREW 11/64-40 L=4.8						1	
14		WP0740516SP		WASHER 7.4X11.8X0.5						1	
15		D3135481CB0		LOOPER THREAD R- ELEASE SHAFT ASM.						1	
16	D	D3135481C00A		LOOPER THREAD RELEASE SHAFT				*		1	
17		D3136481CA0		TENSION RELEASE ARM ASM.				*		1	
18		NS6110310SP		NUT 11/64-40				*		1	
19		RO037180100		RUBBER RING				*		1	
20		D3130481CA0		TENSION RELEASE ARM ASM.						1	
21		SS6110710TP		SCREW 11/64-40 L=6.5				*		1	
22		D3134481C00		SPRING						1	
23		D3133481C00		SUSPENSION BRACKET						1	
24		SS4110715SP		SCREW 11/64-40 L=7						2	
25		D3110481C00		TENSION RELEASE SHAFT						1	
26		B1522552000		OIL SEAL RING						1	
27		B3115481000		TENSION RELEASE SHAFT SPACER						1	
28		B3116481000		SPACER(A) FOR IN- STALLING PLATE						1	
29		B3117481000		SPACER(B) FOR IN- STALLING PLATE						1	
30		SS4112515SP		SCREW 11/64-40 L=25						1	
31		SS4111415SP		SCREW 11/64-40 L=14						1	
32		RE0600000K0		E-RING 6						1	
33		B3120481000		NEEDLE THREAD T- ENSION RELEASE						1	
34		SS6110420TP		SCREW 11/64-40 L=4.8						1	
35		B31024810A0		NEEDLE THREAD TENSION ASM.						1	
36	R	B3126012000	22921506	THREAD TENSION DISK				*		2	1.00
37		B3104481000		LOOPER THREAD TENSION POST				*		1	
38		B2306019000		TENSION THREAD GUIDE				*		1	
39		B3102481000		NEEDLE THREAD T- ENSION GUIDE PLATE				*		1	
40		B3101481000		TENSION CONTROL- LER INSTALLING				*		1	
41	R	B3107704000	13137609	TENSION DISC PRESSER TUBE				*		1	1.00
42		B3129012A00		TENSION SPRING				*		1	
43	R	B3119771000	13817408	THREAD TENSION NUT				*		1	1.00

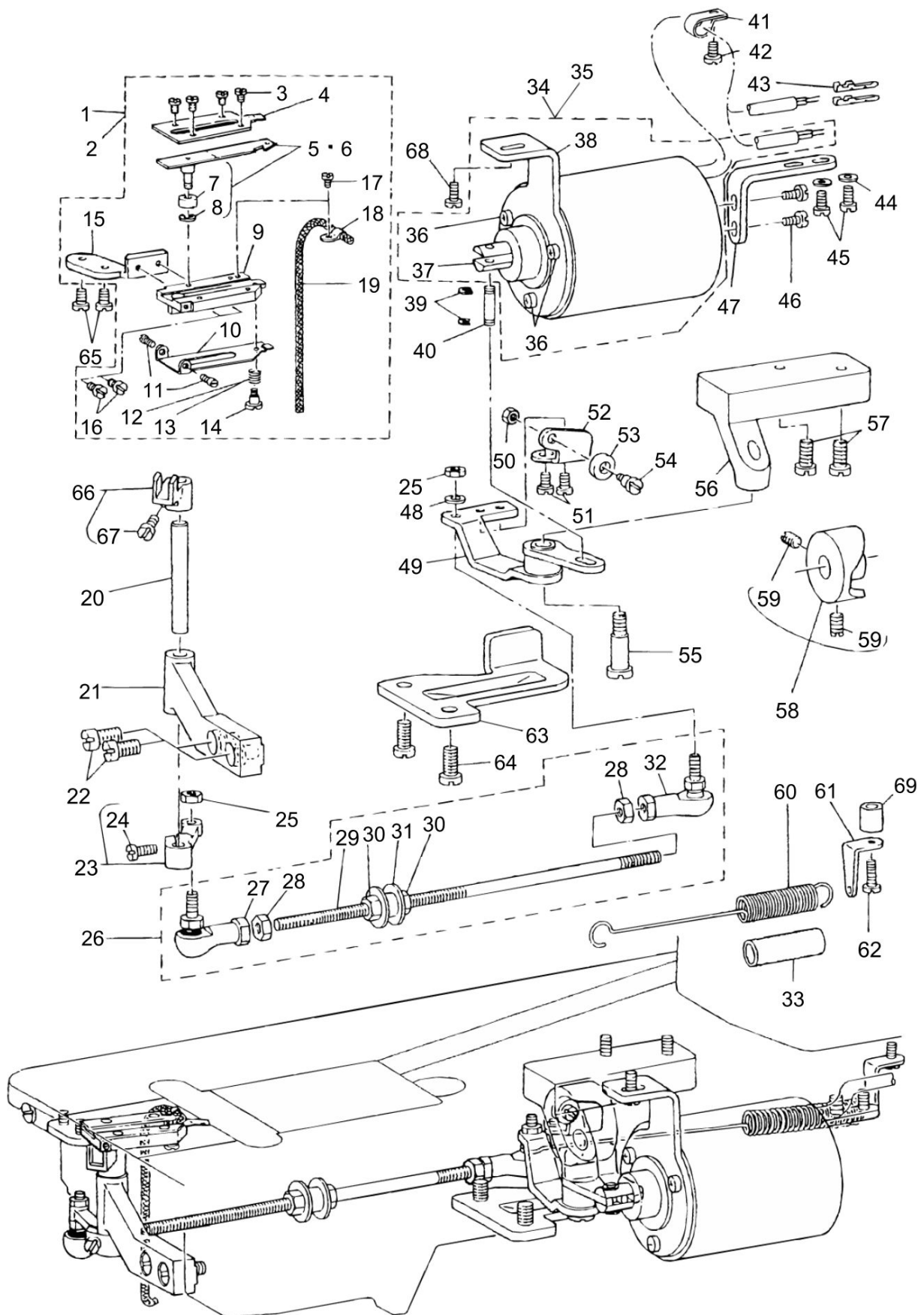
THREAD TENSION CONTROLLER COMPONENTS



THREAD TENSION CONTROLLER COMPONENTS

No.	Supply Code	Parts No.	Replacement	Parts name	Remarks	Choice	Step	Level	Cons	Qty	Rep. QTY
44		B3120125000		ROTATING STOPPER				*		1	
45		D2210481DA0		LOOPER THREAD GUIDE ASM.						1	
46		B2203481000		LOOPER THREAD GUIDE(B)				*		1	
47		SS6080320SP		SCREW 1/8-44 L=2.5				*		1	
48		B2218481000		CAST-OFF WIRE				*		1	
49		SS6080410SP		SCREW 1/8-44 L=4				*		2	
50		WP0371026SD		WASHER 3.7X7X1				*		2	
51		B2217481000		THREAD GUIDE STOPPER SPRING				*		1	
52		SS6080320SP		SCREW 1/8-44 L=2.5				*		2	
53		B2216481000		THREAD GUIDE SPRING				*		1	
54		B2214481000		THREAD GUIDE STUD				*		1	
55		NS6110310SP		NUT 11/64-40				*		1	
56		D2213481C00		CAST-OFF PLATE				*		1	
57		B2212481000		LOOPER THREAD GUIDE RIGHT				*		1	
58		D2211481D00		LOOPER THREAD GUIDE LEFT				*		1	
59		B2215481000		COLLAR				*		4	
60		SS7081310SP		SCREW 1/8-44 L=12.5				*		1	
61	D	D2227481D00		LOOPER THREAD GUIDE				*		1	
62		SS4080620TP		SCREW 1/8-44 L=6				*		2	
63		SS4110515SP		SCREW 11/64-40 L=5						2	
64	R	B2220481010	B22204810A0	LOOPER THREAD TAKE-UP						1	1.00
65		B2225481000		SCREW						1	
66		D3931481D00		ARM INSTALLING PLATE						1	
67		SS4110715SP		SCREW 11/64-40 L=7						4	
68		RE0400000K0		E-RING 4						1	
69		SD0640211SP		HINGE SCREW D=6.35 H=2.1						1	
70		D3928481DA0		THREAD TENSION RELEASE ASM.						1	
71		D3929481DA0		RELEASE LEVER INSTALLING ASM.						1	
72		D3105481D00		LOOPER THREAD GUIDE						1	
73		D2120555C00		CORD PRESSER (120V)						1	
74		SS4110715SP		SCREW 11/64-40 L=7						1	

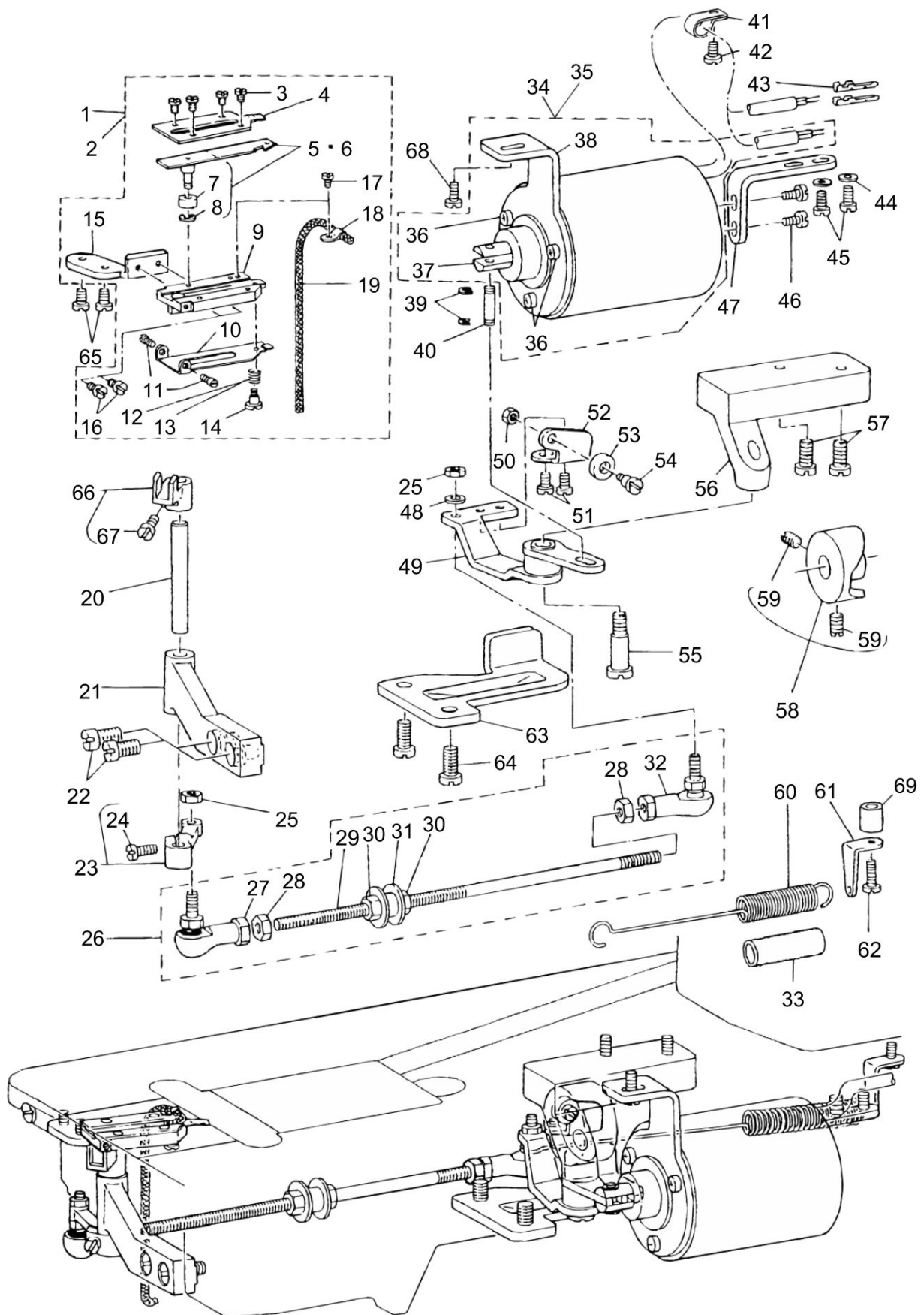
THREAD TRIMMER COMPONENTS



THREAD TRIMMER COMPONENTS

No.	Supply Code	Parts No.	Replacement	Parts name	Remarks	Choice	Step	Level	Cons	Qty	Rep. QTY
1		D2407481DBA		MOVING KNIFE MOUNTING PLATE ASM.						1	
2		D2407481DBB		MOVING KNIFE BASE ASM.	SPECIAL ORDER PARTS (FOR THICK THREAD)					1	
3		SS6090420SP		SCREW 9/64-40 L=4.0				*		4	
4		D2405481C00A		COUNTER KNIFE				*		1	
5		D2401481CD0		MOVING KNIFE ASM.				*		1	
6		D2401481CDB		COUNTERKNIFEASM.	SPECIAL ORDER PARTS (FOR THICK THREAD)			*		1	
7		D2403481C00		COLLAR				*		1	
8		RE0250000K0		E-RING 2.5				*		1	
9		D2407481D00		MOUNTING PLATE				*		1	
10		D2406481D00		THREAD CLAMPING				*		1	
11		D2409481D00		CLAMPING STOPPER PIN				*		2	
12		D2404481D0A		THREAD CLAMPING SPRING				*		1	
13		D2404481D0B		THREAD CLAMPING SPRING B	SPECIAL ORDER PARTS (FOR THICK THREAD)			*		1	
14		SD0360601SP		CLAMPING SCREW				*		1	
15		D2408481C00A		MOUNTING PLATE INSTALLING BASE				*		1	
16		SS6090510TP		SCREW 9/64-40 L=5.0				*		2	
17		SS5060310SP		SCREW 3/32-56 L=2.8				*		1	
18	D	D2410481C00A		OIL WICK HOLDER				*		1	
19		CQ202000000		OIL WICK				*		0.2	
20		D2413481C00		KNIFE DRIVING SHAFT						1	
21		D2412481C00		MOVING KNIFE BUSHING PIN						1	
22		SS6151920SP		SCREW 15/64-28 L=19.0						2	
23		D2414481CA0		KNIFE DRIVING ARM ASM.						1	
24		SS7111110TP		SCREW 11/64-40 L=10.5				*		1	
25		NM6050001SP		NUT M5						2	
26		D2415481DA0A		THREAD-CUTTING BALL JOINT ASM.						1	
27	R	D2415481D00	17824608	KNIFE DRIVING ARM JOINT				*		1	1.00
28		NM6050001SP		NUT M5				*		2	
29		D2416481C00		CONNECTING ROD				*		1	
30		NM6050001SP		NUT M5				*		2	
31	D	D3921481D00		CAM THREAD RELEASE BLOCK				*		1	
32		D2415481C00		KNIFE DRIVING ARM JOINT				*		1	
33		BT0800602E0		URETHANE TUBE 6-X8 TRANSPARENT						.12	
34		D2460481DAB		SOLENOID ASM.						1	
35	D	D2460481DAA		SOLENOID ASM.	FOR MH-484-4-4					1	
36		SS7110740TP		SCREW 11/64-40 L=7				*		3	
37		D2465481C00		PLUNGER				*		1	
38		D2466481C00		SOLENOID INSTALLING PLATE				*		1	
39		RE0400000K0		E-RING 4						2	
40		D2461481C00		CONNECTING PIN						1	

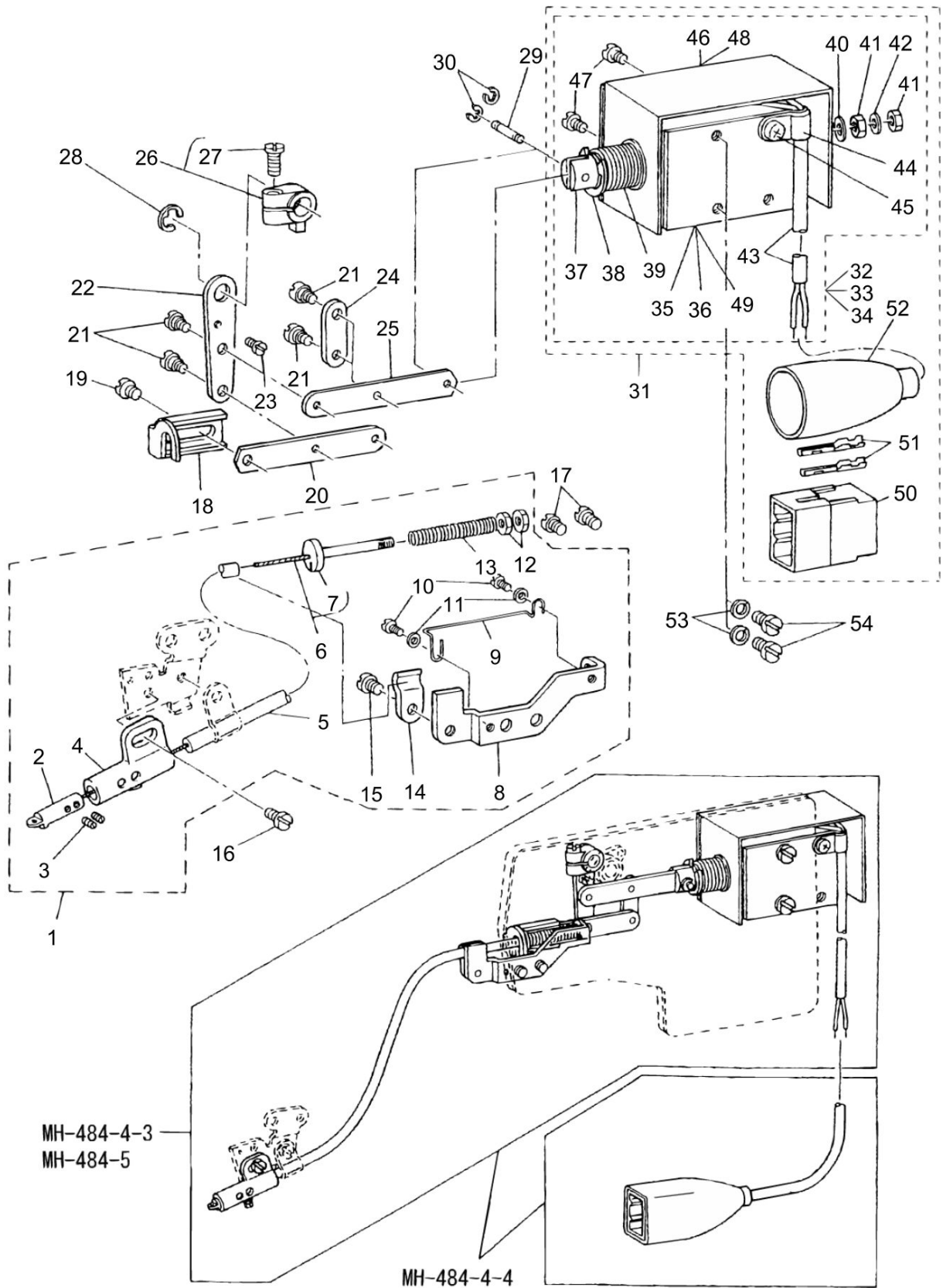
THREAD TRIMMER COMPONENTS



THREAD TRIMMER COMPONENTS

No.	Supply Code	Parts No.	Replacement	Parts name	Remarks	Choice	Step	Level	Cons	Qty	Rep. QTY
41		G5066110000		CORD HOLDER						1	
42	R	SS7110910SP	SS7110910TP	SCREW 11/64-40 L=8.5						1	1.00
43		HK03464000B		PIN CONTACT						2	
44		WP0480856SP		WASHER 4.8X8.4X0.8						2	
45	R	SS7111120SP	SS7111120TP	SCREW 11/64-40 L=10.5						2	1.00
46		SS7110740TP		SCREW 11/64-40 L=7						2	
47	D	D2462481C00		SOLENOID HOLDER						1	
48		WP0501016SD		WASHER 5X10.5X1						1	
49		D2421481CA0		THREAD TRIMMER LEVER ASM.						1	
50		NS6120310SP		NUT 3/16-28						1	
51		SS5110810SP		SCREW 11/64-40 L=8						2	
52		D2429481C00		ROLLER INSTALLING PLATE						1	
53		D2430481C00		ROLLER						1	
54		SD0600452TP		HINGE SCREW D=6 H=4.5						1	
55		SD0791501SP		HINGE SCREW D=7.94 H=15.0						1	
56		D2426481C00		THREAD TRIMMER LEVER MOUNTING						1	
57		SS6151412TP		SCREW 15/64-28 L=14						2	
58		D2428481CA0		SAFETY CAM ASM.						1	
59		SS8151150TP		SCREW 15/64-28 L=10.5				*		2	
60		D2424481C00A		TENSION SPRING						1	
61		D2425481C00		SUSPENSION BRACKET						1	
62	R	SS7110710TP	SS7110710SP	SCREW 11/64-40 L=7.0						1	1.00
63		D2461486E00		THREAD TRIMMER STOPPER						1	
64		SS7151210SP		SCREW 15/64-28 L=12						2	
65		SS7110840SP		SCREW 11/64-40 L=7.8						2	
66		D2411481CA0		KNIFE DRIVING FORK ASM.						1	
67		SS7111110TP		SCREW 11/64-40 L=10.5						1	
68		SS6151040SP		SCREW 15/64-28 L=10						1	
69		B3116481000		SPACER(A) FOR INSTALLING PLATE						1	

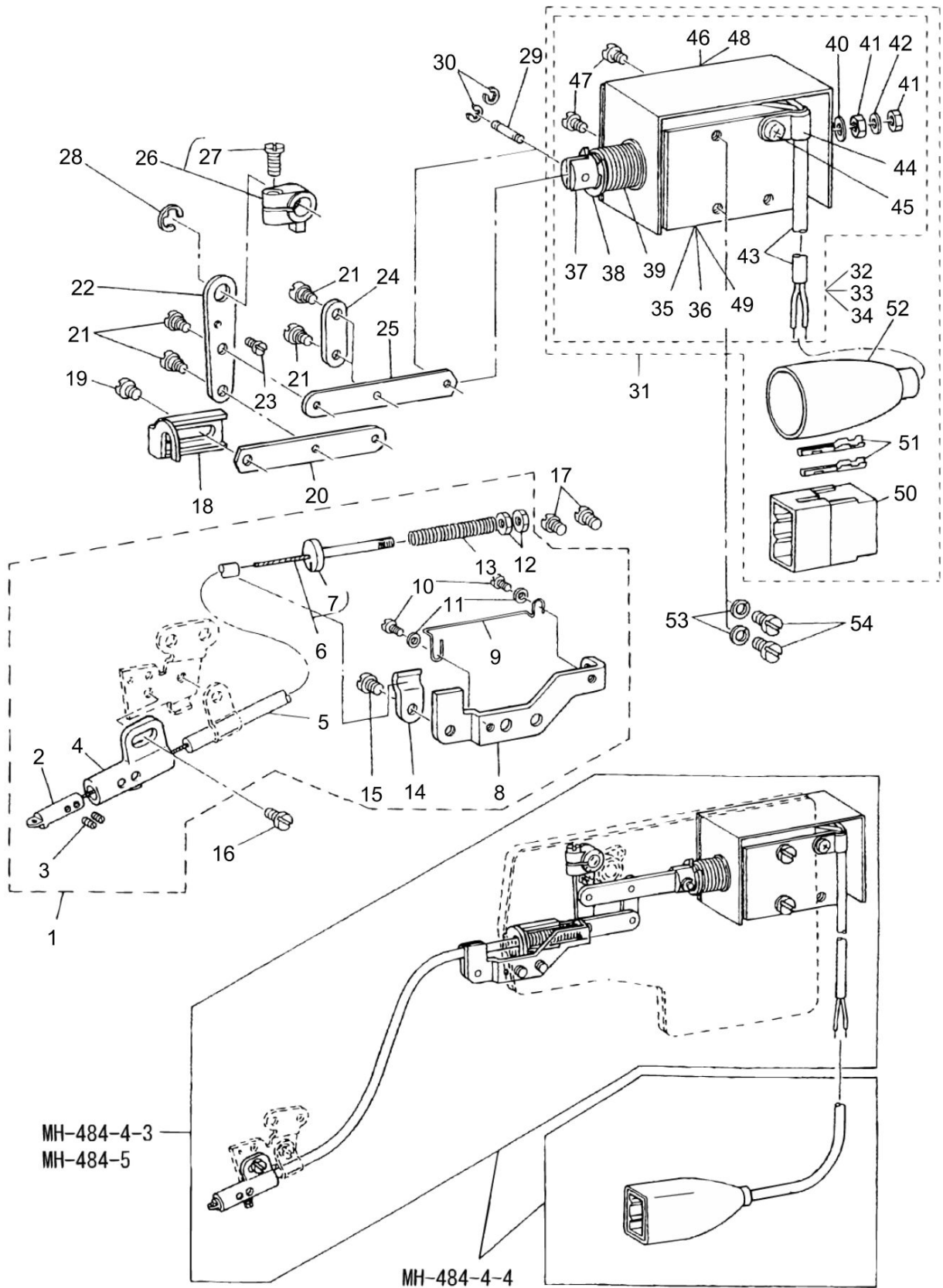
THREAD DRAW OUT SOLENOID COMPONENTS



THREAD DRAW OUT SOLENOID COMPONENTS

No.	Supply Code	Parts No.	Replacement	Parts name	Remarks	Choice	Step	Level	Cons	Qty	Rep. QTY
1		D3911481CA0		THREAD DRAW OUT WIRE ASM.						1	
2		D3918481D00		THREAD GUIDE PIN				*		1	
3		SS8080310TP		SCREW 1/8-44 L=2.8				*		2	
4		D3917481D00		GUIDE PIN HOLDER				*		1	
5		D3913481D00		WIRE TUBE				*		1	
6		D3912481CA0		THREAD DRAW OUT WIRE ASM.				*		1	
7	D	D3914481C00		WIRE HOLDER				*		1	
8		D3911481C00		WIRE MOUNTING PLATE				*		1	
9		D3919481D00		WIRE GUIDE				*		2	
10		SS4080415SP		SCREW 1/8-44 L=4				*		2	
11		WP0371026SD		WASHER 3.7X7X1				*		2	
12		NS6090310SP		NUT 9/64-40				*		2	
13		D3915481C00		SPRING				*		1	
14		D3916481C00		TUBE HOLDER				*		1	
15		SS4110515SP		SCREW 11/64-40 L=5				*		1	
16		SS4110515SP		SCREW 11/64-40 L=5						1	
17		SS7110510SP		SCREW 11/64-40 L=5						2	
18		D3910481C00		WIRE DRAWING LINK						1	
19		SS4110515SP		SCREW 11/64-40 L=5						1	
20		D3908481C00		LINK B						1	
21		SD0450211SP		HINGE SCREW D=4.50 H=2.1						4	
22		D3906481C00		THREAD DRAW OUT LEVER						1	
23		SS7090410SP		SCREW 9/64-40 L=3.5						1	
24		D3909481C00		LINK CONNECTING PLATE						1	
25		D3905481C00		LINK A						1	
26		D3907481CA0		THREAD DRAW OUT ARM ASM.						1	
27		SS7111110TP		SCREW 11/64-40 L=10.5				*		1	
28		RE0600000K0		E-RING 6						1	
29		D3904481E00		PLUNGER PIN						1	
30		RE0200000K0		E-RING						2	
31		D3901481DAA		THREAD DRAW OUT SOLENOID ASM.	FOR MH-484-4-4					1	
32		D3901481DAB		THREAD DRAW OUT SOLENOID ASM.	FOR MH-484-4-3					1	
33	D	D3901486EAB		THREAD DRAW OUT SOLENOID ASM.	FOR MH-484-5					1	
34		D3901486DAC		THREAD DRAW OUT SOLENOID ASM.						1	
35	R	D3901481D0B	D3901481DAB	SOLENOID	FOR MH-484-4-3			*		1	1.00
36	R	D3901486E0B	D3901486EAB	THREAD DRAW OUT SOLENOID	FOR MH-484-5			*		1	1.00
37		D2118555B00A		PLUNGER				*		1	
38		RE0901110K0		SNAP RING 9				*		1	
39		D3902481C00A		SPRING				*		1	
40		MAT80115T00		WASHER				*		1	
41		NM6040003SC		NUT M4				*		2	
42		WS0411002KS		SPRING WASHER 4.1X7.6X1.0				*		1	
43		HW200110000		WIRE BLACK				*		1.1	
44		HX00150000B		CABLE CLIP				*		1	
45		SM4040601SB		SCREW M4 L=6				*		1	

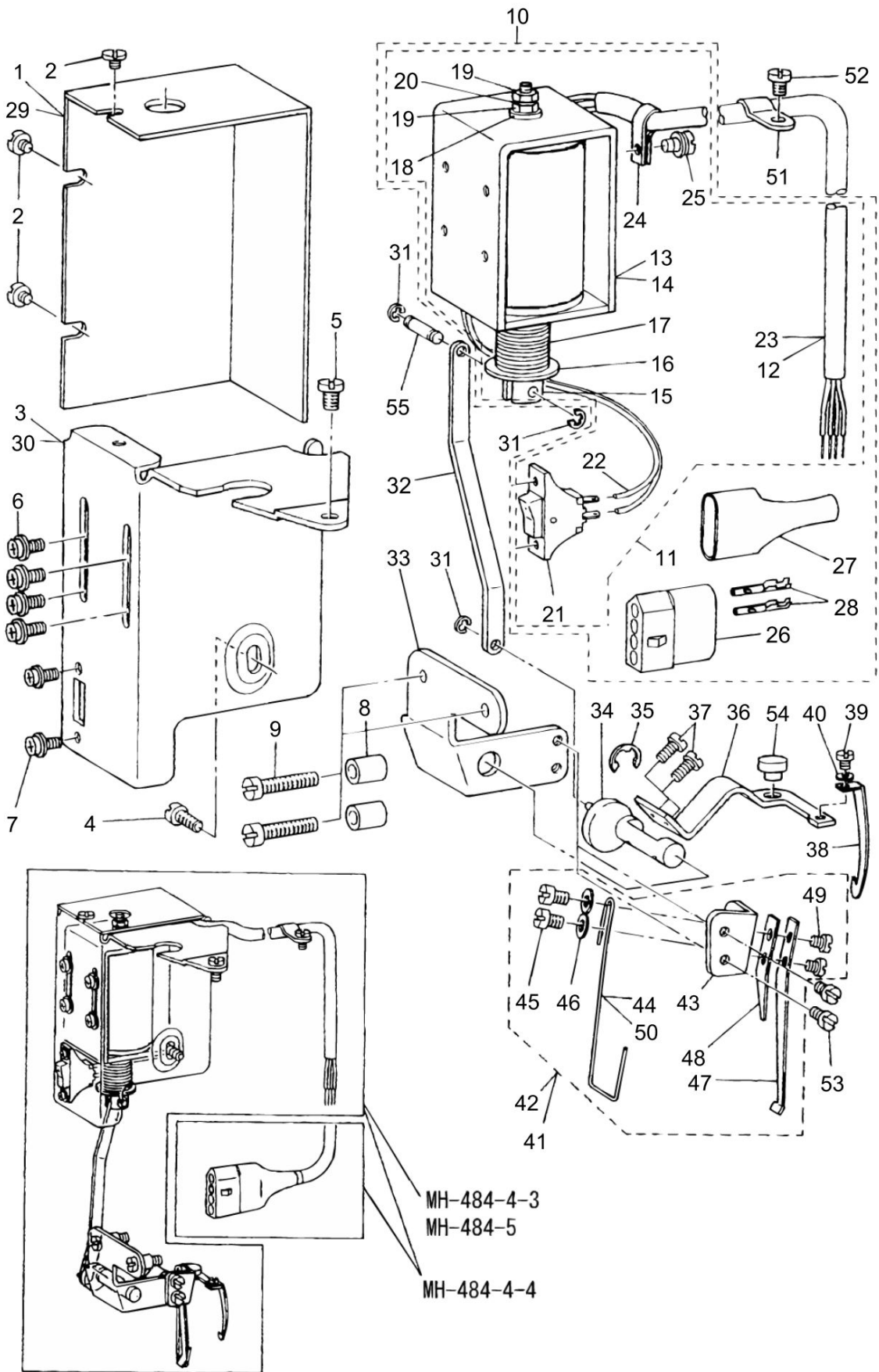
THREAD DRAW OUT SOLENOID COMPONENTS



THREAD DRAW OUT SOLENOID COMPONENTS

No.	Supply Code	Parts No.	Replacement	Parts name	Remarks	Choice	Step	Level	Cons	Qty	Rep. QTY
46	D	D3903481C00		SOLENOID COVER				*		1	
47		SM4040601SB		SCREW M4 L=6				*		2	
48		D3903481C0A		SOLENOID COVER	FOR URBAN WHITE			*		1	
49		D3901481C0B		SOLENOID	FOR MH-484-4-4			*		1	
50		D6029555B0A		NYLON PLUG 6P				*		1	
51		HK03464000B		PIN CONTACT				*		2	
52		D6001555B00		PLUG COVER				*		1	
53		WS0441040KP		SPRING WASHER 4.4X7.4X1						2	
54		SM4040601SB		SCREW M4 L=6						2	

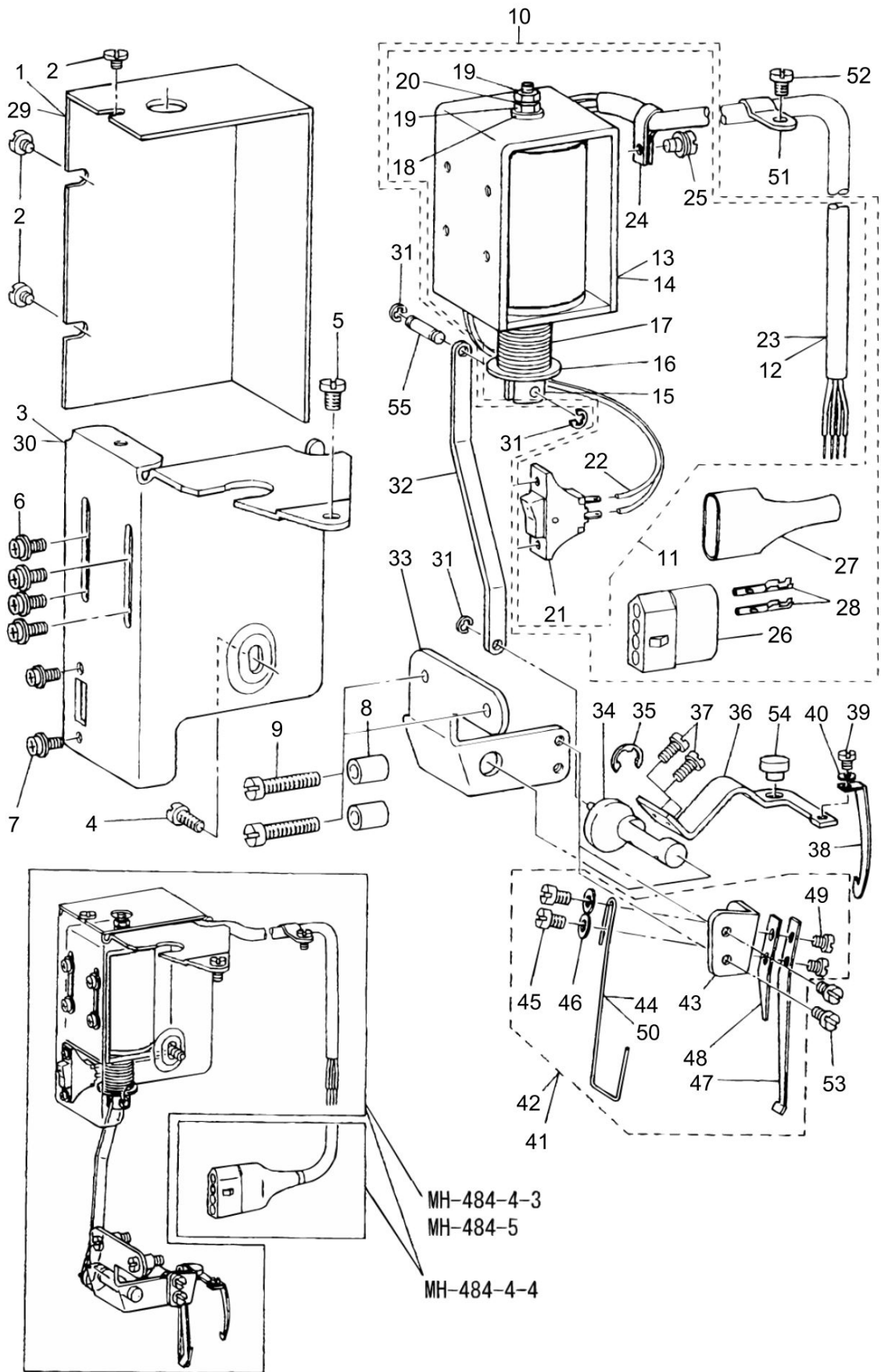
WIPER COMPONENTS



WIPER COMPONENTS

No.	Supply Code	Parts No.	Replacement	Parts name	Remarks	Choice	Step	Level	Cons	Qty	Rep. QTY
1	D	D2111555B00B		MAGNET INSTALLING BASE COVER						1	
2		SS7110340SP		SCREW 11/64-40 L=3.2						3	
3		D2101555C00		MAGNET INSTALLING BASE						1	
4		SS7110710SP		SCREW 11/64-40 L=7						1	
5		SS7110840SP		SCREW 11/64-40 L=7.8						1	
6		SL4040881SF		SCREW M4 L=8						4	
7		SL4030621SS		SCREW M3						2	
8		D2114555B00		BRACKET INSTALLING COLLAR						2	
9		SS7112420SP		SCREW 11/64-40L=24						2	
10		D3008481DAA		WIPER MAGNET ASM.	FOR MH-484-4-4					1	
11	D	D3008481DAB		WIPER DRIVING SOLENOID ASM.				*		1	
12		HW000600020		2-CORE CABTYRE CORD	FOR MH-484-4-4			*		1.5	
13		D3901481C0B		SOLENOID	FOR MH-484-4-4			*		1	
14	R	D3901481D0B	D3901481DAB	SOLENOID	FOR MH-4-84-4-3,484-5			*		1	1.00
15		D2118555B00A		PLUNGER				*		1	
16		RE0901110K0		SNAP RING 9				*		1	
17		D3006481C00		SPRING				*		1	
18		MAT80115T00		WASHER				*		1	
19		NM6040003SC		NUT M4				*		2	
20		WS0411002KS		SPRING WASHER 4.1X7.6X1.0				*		1	
21	D	D2119555C00		SWITCH				*		1	
22	D	HW2F18S1219		ELECTRIC WIRE WHITE				*		0.1	
23		HW000600020		2-CORE CABTYRE CORD	FOR MH-484-4-3			*		2	
24		HX00150000A		CABLE CLAMP				*		1	
25		SL4041081SC		SCREW M4 L=10				*		1	
26		MAI15043000		NYLON RECEPTACLE 4P				*		1	
27		D6009555D0A		4-POLE NYLON PLUG COVER				*		1	
28		HK03464000B		PIN CONTACT				*		2	
29		D2111555B0A		MAGNET INSTALLING BASE COVER	FOR URBAN WHITE					1	
30	D	D2101555C0A		MAGNET INSTALLING BASE	FOR URBAN WHITE					1	
31		RE0250000K0		E-RING 2.5						3	
32		D2102555B00		CONNECTING LINK						1	
33		D3001481C00A		WIPER DRIVING SHAFT BRACKET						1	
34		D3002481C00A		WIPER DRIVING SHAFT						1	
35		RE0500000K0		E-RING						1	
36		D3004481C00A		WIPER ARM						1	
37		SS7090710SP		SCREW 9/64-40 L=6.8						2	
38		D3003481C00A		WIPER						1	
39		SS7080410SP		SCREW 1/8-44 L=3.8						1	
40		WP0371036SD		WASHER 3.7X6X1						1	
41	R	D3010481CAB	D3010481CA0	NEEDLE THREAD C-LAMP BASE ASM.	SPECIAL ORDER PARTS					1	1.00
42		D3010481DA0		NEEDLE CLAMP BASE ASM.						1	
43		D3010481C00		NEEDLE CLAMP BASE				*		1	
44		D3011481D00		THREAD CLAMP				*		1	
45		SS6080410SP		SCREW 1/8-44 L=4				*		2	

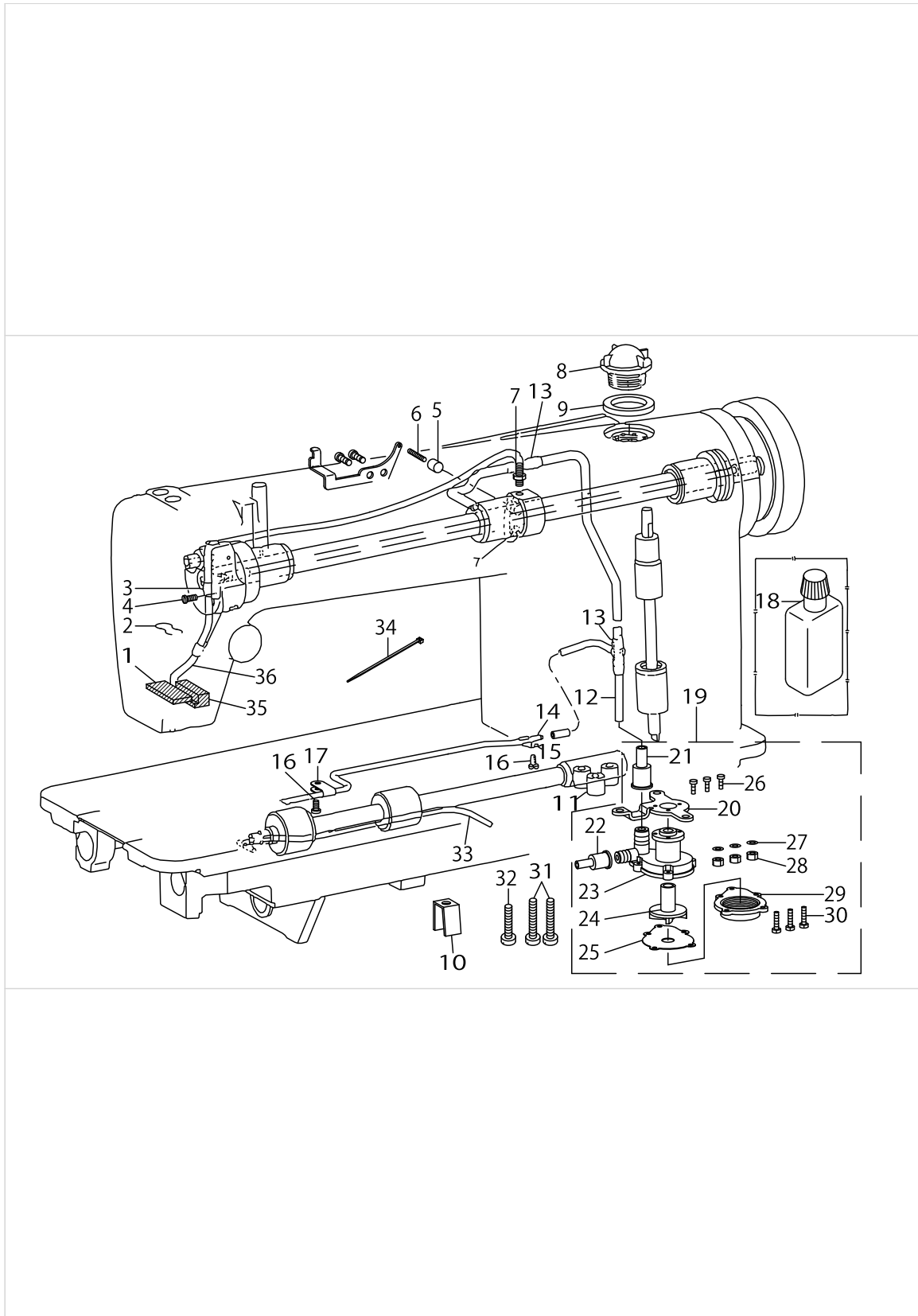
WIPER COMPONENTS



WIPER COMPONENTS

No.	Supply Code	Parts No.	Replacement	Parts name	Remarks	Choice	Step	Level	Cons	Qty	Rep. QTY
46		WP0371026SD		WASHER 3.7X7X1				*		2	
47		D3012481D00		SPRING A				*		1	
48		D3013481D00		SPRING B				*		1	
49		SS6080320SP		SCREW 1/8-44 L=2.5				*		2	
50	D	D3011481C0B		THREAD CLAMP	SPECIAL ORDER PARTS			*		1	
51		D2611555B00A		CABLE HOLDER						1	
52		SS7110840SP		SCREW 11/64-40 L=7.8						1	
53		SS7090510SP		SCREW 9/64-40 L=4.6						2	
54		D3005481C00		WIPER CUSHION						1	
55		D2107555B00		WIPER LINK SHAFT A						1	

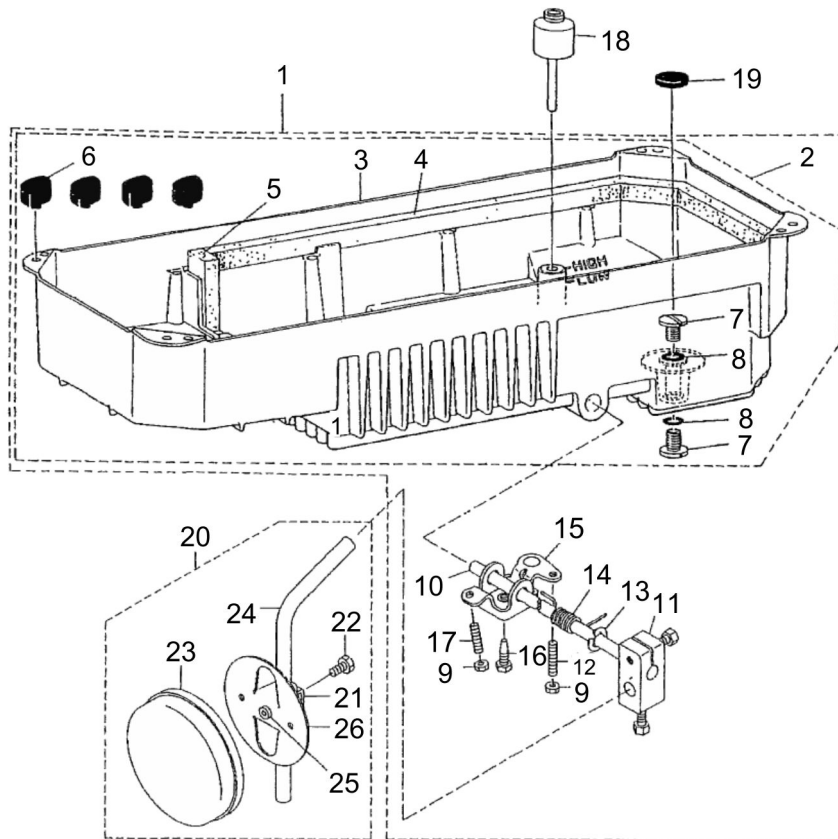
OIL LUBRICATION MECHANISM COMPONENTS



OIL LUBRICATION MECHANISM COMPONENTS

No.	Supply Code	Parts No.	Replacement	Parts name	Remarks	Choice	Step	Level	Cons	Qty	Rep. QTY
1		B3528552000		OIL RETURN FELT						1	
2		22925101		OIL FELT PRESSER						1	
3		D3536555B00		OIL RETURN TUBE PRESSER PLATE						1	
4		SS4110715SP		SCREW 11/64-40 L=7						1	
5		B3534155000		PLUNGER						1	
6		B1214038000		PLUNGER SPRING						1	
7		SQ1110401MZ		CONNECTING SCREW						2	
8	R	B3530555000	22924708	OIL SIGHT WINDOW						1	1.00
9		RO195240100		RUBBER RING						1	
10		B3545122000		OIL GUARD						1	
11		B3552481000		OIL PUMP INSTALLING COLLAR						3	
12		B3513484000A		MAINSHAFT OIL TUBE						1	
13		B3527415000		RUBBER JOINT						2	
14		B3553481000		GEAR OIL PIPE						1	
15	D	B2657771000		GUIDE						1	
16		SS4110715SP		SCREW 11/64-40 L=7						2	
17		B3554481000		HOLDER						1	
18	D	B91351230A0		SILIC. OIL LUBRICATING OILER ASM.	SPECIAL ORDER PARTS					1	
19	R	B35015550A0	40020337	LUBRICATING OIL PUMP ASM.						1	1.00
20	R	B3503555000	40020337	OIL PUMP INSTALLING BASE				*		1	1.00
21	R	B3505555000	40020337	RUBBER JOINT				*		1	1.00
22	R	B3506555000	40020337	RUBBER JOINT				*		1	1.00
23	R	B3501555000	40020337	LUBRICATING OIL PUMP				*		1	1.00
24	R	B3507555000	40020337	OIL PUMP IMPELLER				*		1	1.00
25	R	B3508555000	40020337	OIL PUMP IMPELLER COVER				*		1	1.00
26		SM4031001SC		SCREW M3X0.5 L=10				*		3	
27		WT0320002KZ		WASHER				*		3	
28	D	NM60300000E		NUT M3X0.5				*		3	
29	R	B3502555000A	40020337	LUBRICATING OIL PUMP COVER				*		1	1.00
30		SE4301031SR		SCREW				*		5	
31		SS6123010SP		SCREW 3/16-28 L=30.0						2	
32		SS6122510SP		SCREW 3/16-28 L=25						1	
33		B3521481000A		LUBRICATING OIL PIPE						1	
34		EA9500B0100		CABLE BAND						1	
35		B3526226000		OIL SPONGE						1	
36		BP300000000		VINYL PIPE						.4	

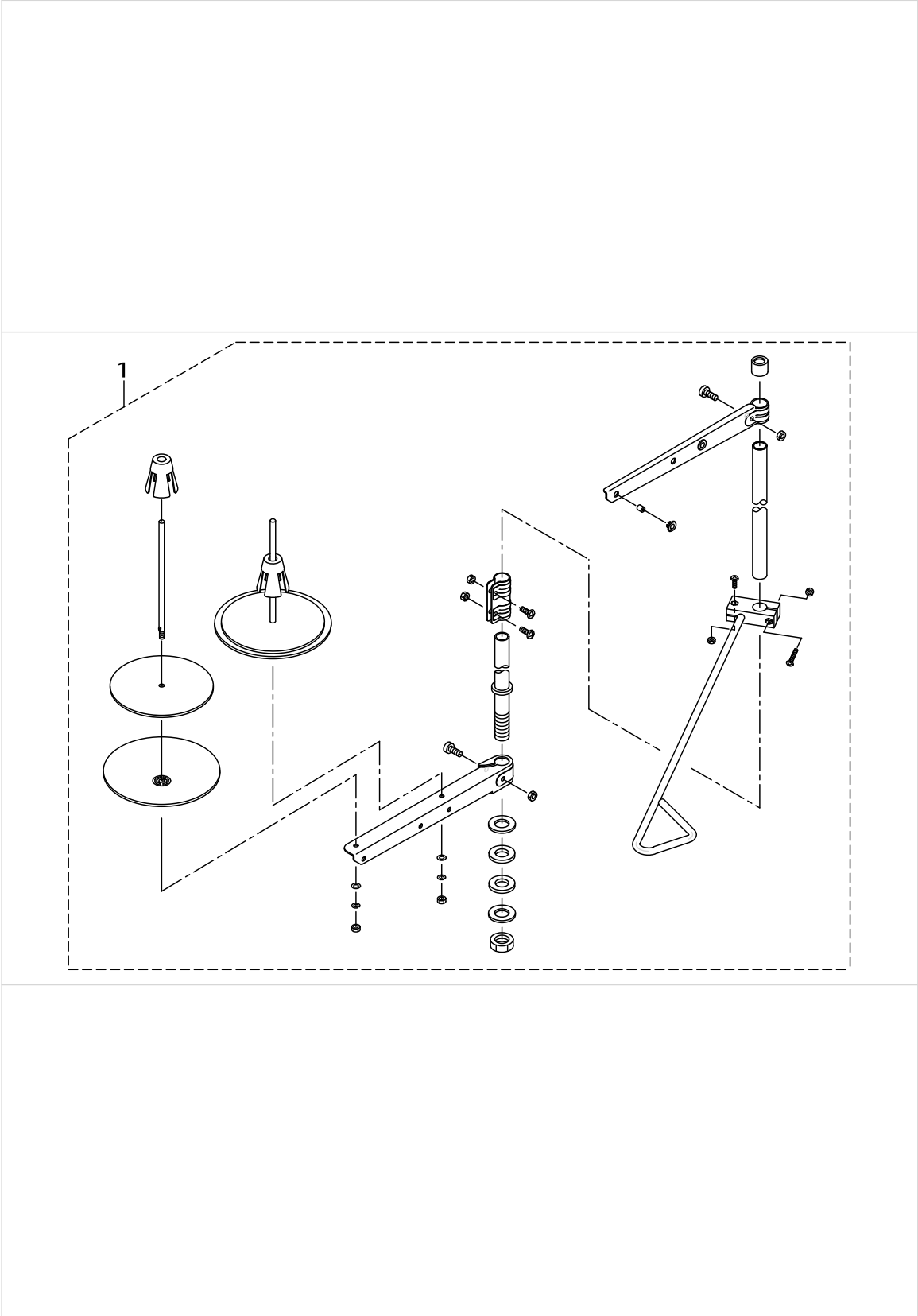
OIL RESERVOIR & KNEE LIFTER COMPONENTS



OIL RESERVOIR & KNEE LIFTER COMPONENTS

No.	Supply Code	Parts No.	Replacement	Parts name	Remarks	Choice	Step	Level	Cons	Qty	Rep. QTY
1		B8217481AD0		OIL RESERVOIR ASM.						1	
2	R	B8217481AC0	B8217481AD0	OIL RESERVOIR ASM.				*		1	1.00
3	R	B8217481000	B8217481AD0	OIL RESERVOIR		B	B:	*		1	1.00
3	R	B8217481000	B8217481AD0	OIL RESERVOIR				*		1	1.00
4		B8235481000		GASKET A				*		2	
5		B8237481000		GASKET C				*		1	
6		D8227555E00		FELT CUSHION				*		4	
7		SS7701010SP		SCREW 5/16-24 L=10				*		2	
8		RO068190100		RUBBER RING				*		2	
9		NM6060001SE		NUT M6				*		2	
10		B3420555000		KNEE PRESS ROD				*		1	
11		22932453		BRACKET ASM.				*		1	
12		SM8063012TR		SCREW M6 L=30				*		1	
13		B3426552000		THRUST RING				*		1	
14	R	11024106	22932206	SPRING				*		1	1.00
15		B3425555000A		KNEE LIFTER ROTATION ARM				*		1	
16		SM9061853SR		SCREW M6 L=17.5				*		1	
17		SM8063012TR		SCREW M6 L=30				*		1	
18		B3421555000		KNEE PRESS LIFTER ROD						1	
19		B8228125000		OIL RESERVOIR MAGNET						1	
20		22934251		KNEE PAD PLATE ASM.						1	
21		22934301		KNEE PAD PLATE SUPPORT				*		1	
22		SM9061203SE		SCREW M6 L=12				*		1	
23		22934509		KNEE PAD PLATE COVER				*		1	
24		22934608		KNEE PAD UPRIGHT SHAFT				*		1	
25		22934400		KNEE PAD PLATE RUBBER				*		1	
26		22934202		KNEE PAD PLATE				*		1	

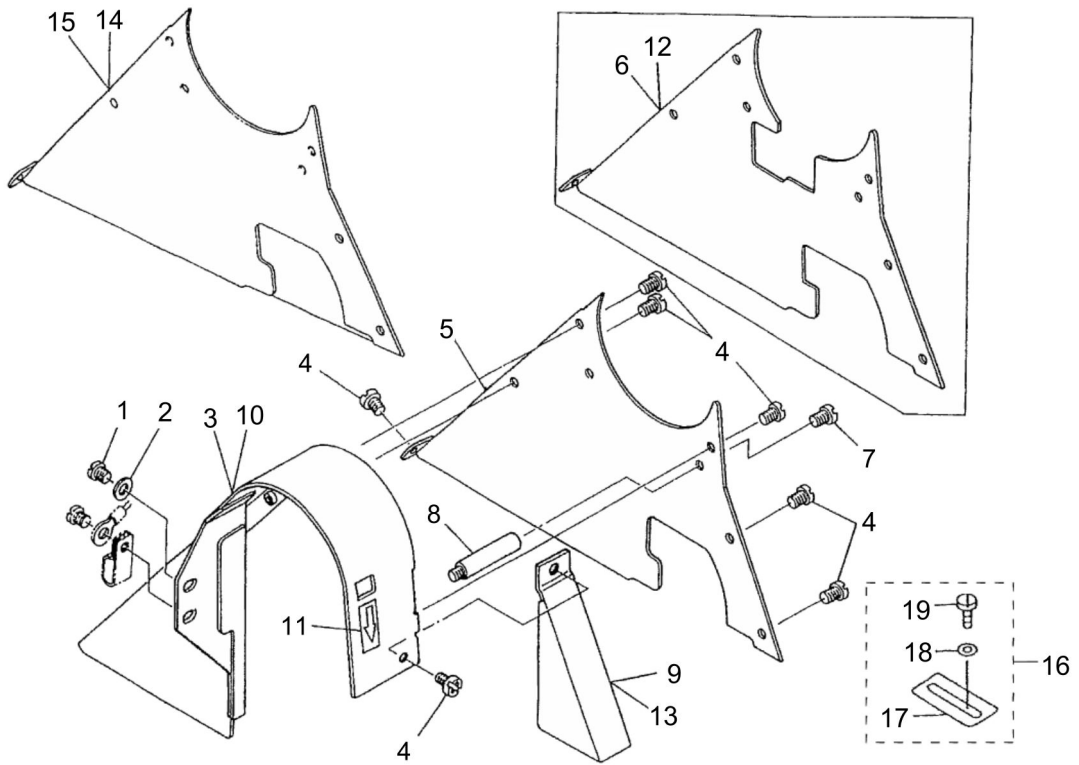
THREAD STAND COMPONENTS



THREAD STAND COMPONENTS

No.	Supply Code	Parts No.	Replacement	Parts name	Remarks	Choice	Step	Level	Cons	Qty	Rep. QTY
1	R	40111351	40111352	THREAD STAND ASM.						1	1.00

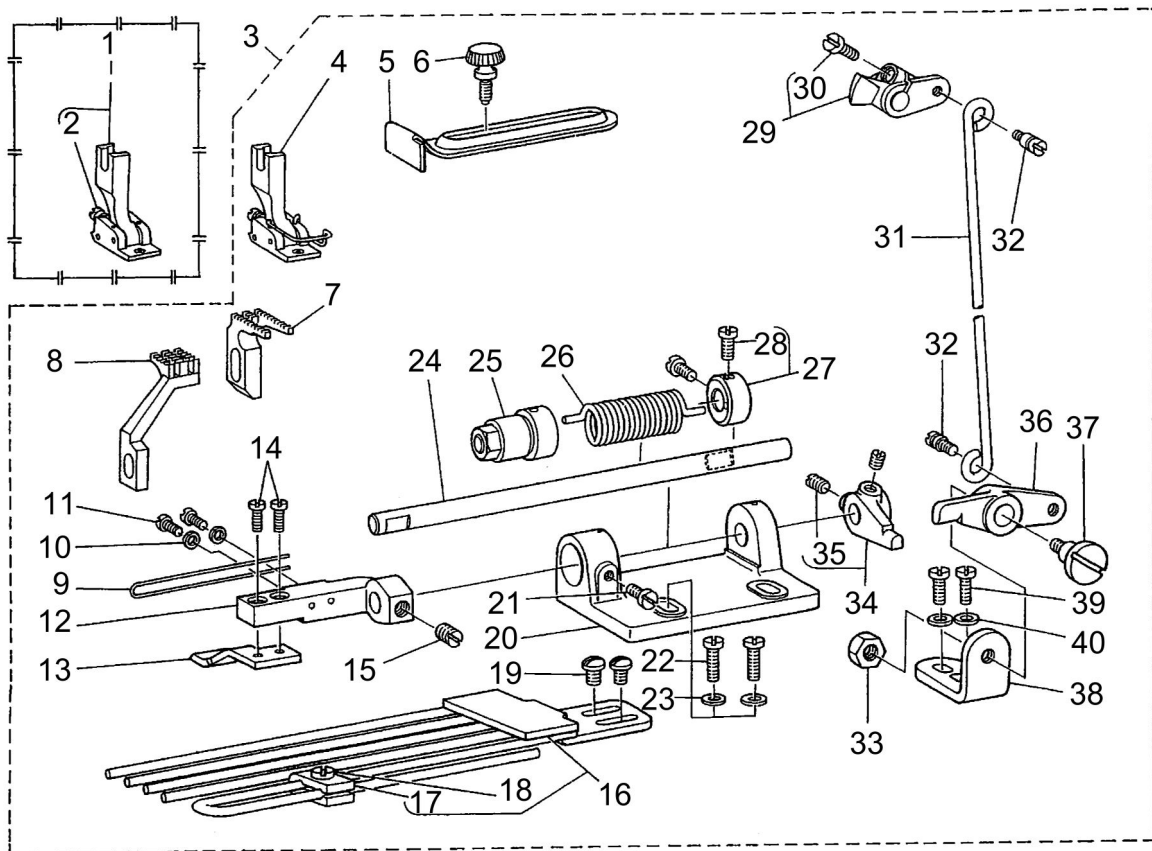
BELT COVER COMPONENTS



BELT COVER COMPONENTS

No.	Supply Code	Parts No.	Replacement	Parts name	Remarks	Choice	Step	Level	Cons	Qty	Rep. QTY
1		SS4150915SP		SCREW 15/64-28 L=9						1	
2		WP0621016SD		WASHER 6.2X13X1						1	
3	D	D8230555E00		BELT COVER						1	
4		SS4110515SP		SCREW 11/64-40 L=5						7	
5	D	D8231555E00		BELT COVER TOP	FOR MH-4-84-5,484-4-3(EXCEPT JA)					1	
6		D8231555E0A		BELT COVER TOP	FOR MH-4-84-4-4,JA					1	
7		SS4110815SP		SCREW 11/64-40 L=8						1	
8		D8232555B00		BELT COVER SUPPORT						1	
9	D	D8232555E00		THREAD WINDER COVER						1	
10		B82303800A0		BELT COVER	FOR URBAN WHITE					1	
11		CM500300001		DIRECTION LABEL	FOR URBAN WHITE					1	
12		D8231555E0D		BELT COVER TOP	FOR URBAN WHITE(F-OR MH-48-4-4-4, JA)					1	
13		D8232555E0A		BOBBIN WINDER COVER	FOR URBAN WHITE					1	
14		B8231380000		BELT COVER TOP	FOR JE & USE IN JAPAN					1	
15	D	40013170		BELT COVER TOP	FOR URBAN WHITE(F-OR MH-484-5)					1	
16		10163152		BELT COVER SUPPORT PLATE ASM.	FOR JE					1	
17		10163103		BELT COVER SUPPORT PLATE				*		1	
18		WP0501016SC		WASHER 5X10.5X1				*		1	
19	R	SK3482500SC	SK3482501SE	WOOD SCREW D=4.8 L=25				*		1	1.00

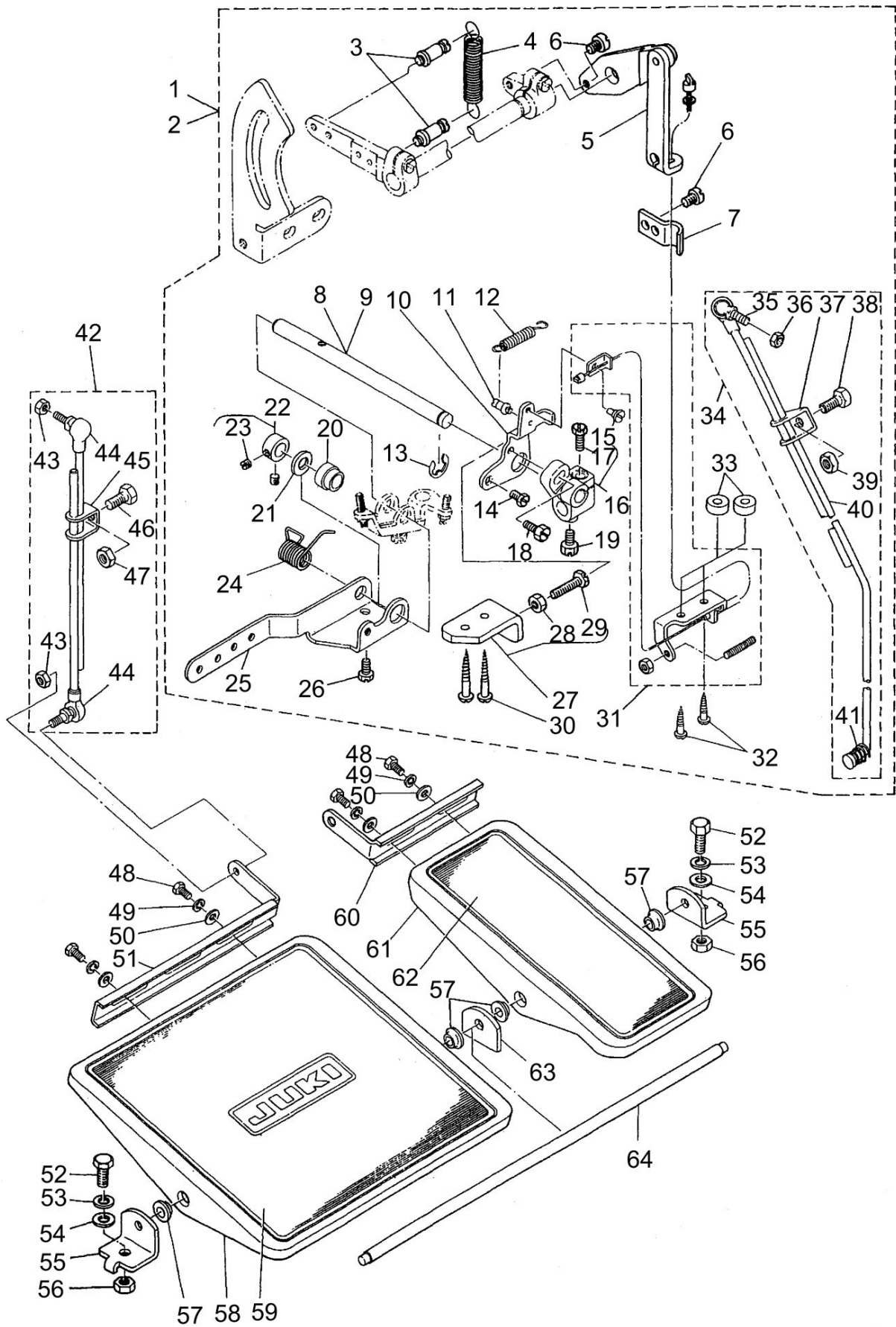
S060 GATHERING ATTACHMENT (SPECIAL ORDER PARTS)



S060 GATHERING ATTACHMENT (SPECIAL ORDER PARTS)

No.	Supply Code	Parts No.	Replacement	Parts name	Remarks	Choice	Step	Level	Cons	Qty	Rep. QTY
1		MAS060010A0		PRESSER FOOT ASM.						1	
2		SS5060310SP		SCREW 3/32-56 L=2.8				*		1	
3	D	MAS060000A0		GATHERING UNIT						1	
4		MAS060010B0		PRESSER FOOT AS- M. (FINGER GUARD)				*		1	
5	D	MAS06018000		STITCH GUIDE (GATHERING)				*		1	
6		A1132001000		PRESSER FOOT SCREW				*		1	
7		MAS06002000		MAIN FEED DOG (GATHERING)				*		1	
8		MAS06003000		DIFFERENTIAL FEED DOG (GATHERING)				*		1	
9		MAS06017000		FRONT PRESSER FOOT WIRE				*		1	
10		WP03305000E		WASHER 3.3X6X0.5				*		2	
11	R	SS4080610SP	SS4080620TP	SCREW 1/8-44 L=6.4				*		2	1.00
12		MAS06005000		FRONT PRESSER FOOT ARM				*		1	
13	D	MAS06004000		FRONT PRESSER FOOT				*		1	
14		SS7090710SP		SCREW 9/64-40 L= 6.8				*		2	
15	R	SS8150710SP	SS8150710TP	SCREW 15/64-28 L=7				*		1	1.00
16		MAS060160A0		TAPE GUIDE ASM.				*		1	
17		B1560431B00		TAPE GUIDE				*		1	
18		SS7090710SP		SCREW 9/64-40 L=6.8				*		1	
19		SS3120540SP		SCREW 3/16-28 L=5.4				*		2	
20		MAS06006000		FRONT PRESSER FOOT BASE				*		1	
21		SS7110910TP		SCREW 11/64-40 L=8.5				*		1	
22	R	SS7111120SP	SS7111120TP	SCREW 11/64-40 L=10.5				*		2	1.00
23		WP0480856SP		WASHER 4.8X8.4X0.8				*		2	
24		MAS06008000		FRONT PRESSER FOOT SHAFT				*		1	
25	D	MAS06007000		FRONT PRESSER F- OOT SHAFT BUSHING				*		1	
26		MAS06009000		FRONT PRESSER FOOT SPRING				*		1	
27	D	GS072081CSM		THRUST COLLAR A- SM. D=7.24 W=8 ASM.				*		1	
28		SS7110710SP		SCREW 11/64-40 L=7				*		2	
29	D	MAS060150A0		NEEDLE THREAD R- ELEASE LATCH ASM.				*		1	
30		SS7111110TP		SCREW 11/64-40 L=10.5				*		1	
31		MAS06014000		LIFTING LINK				*		1	
32	R	11007101	22908909	HINGE SCREW				*		2	1.00
33		NS6160520SP		NUT 1/4-24				*		1	
34	D	MAS060120A0		FRONT PRESSER F- OOTSHAFTARMASM.				*		1	
35		SS8110750SP		SCREW 11/64-40 L=6.5				*		2	
36		MAS06013000		LIFTING LEVER				*		1	
37		SD0791051SP		HINGE SCREW D=7.94 H=10.5				*		1	
38		MAS06011000		LIFTING LEVER BASE				*		1	
39	R	SS7110910SP	SS7110910TP	SCREW 11/64-40 L=8.5				*		2	1.00
40		WP0480856SP		WASHER 4.8X8.4X0.8				*		2	

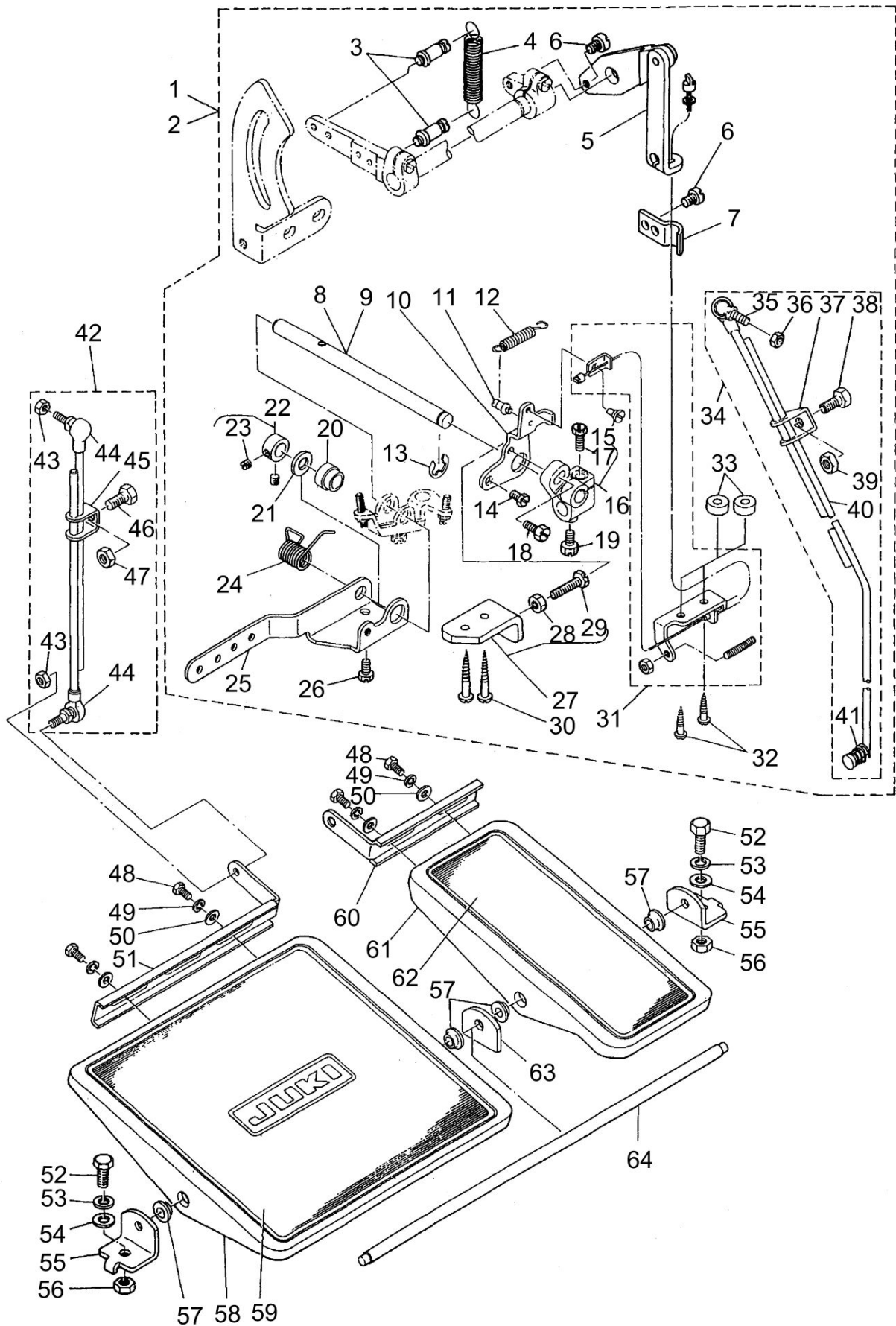
PF-5: PEDAL/KNEE PRESSER CONTROLLED GATHERING MECHANISM (SPECIAL ORDER PARTS)



PF-5: PEDAL/KNEE PRESSER CONTROLLED GATHERING MECHANISM (SPECIAL ORDER PARTS)

No.	Supply Code	Parts No.	Replacement	Parts name	Remarks	Choice	Step	Level	Cons	Qty	Rep. QTY
1		GPF050000A0		PF-5 ASM.	FOR PF-5					1	
2		GPF050000B0		PF-5A ASM. (AK-4)	FOR PF-5A (WHEN USE FOR AK-4)					1	
3		B3413227000		SPRINGSUSPENSION				*		2	
4		MAS06101000		SPRING				*		1	
5		GPF040010A0		INTERMITTENT BRACKET ASM.				*		1	
6		SS7110710SP		SCREW 11/64-40 L=7				*		2	
7		D3164555B00		OUTER PRESSER PLATE				*		1	
8		GPF01013000A		KNEE PRESS ROD				*		1	
9		GAK04001A00		PRESSER LIFTING SHAFT (PF-5)	FOR PF-5A (WHEN USE FOR AK-4)			*		1	
10		GPF01009000		DRIVING ARM				*		1	
11	R	B3413552000	26229302	SUSPENSION SCREW				*		1	1.00
12		B3417552000		LIFTING LEVER LINK SPRING				*		1	
13		B3426552000		THRUST RING				*		1	
14		SS9661120CP		SCREW 1/4-40 L=10.5	PARTS WH- OSE SETTI- NG POSITI- ON CAN BE CHANGED BY OPERA- TOR'S PR- EFERENCE			*		1	
15		SD0640241SP		HINGE SCREW D=6.35 H=2.4				*		1	
16	R	GPF010140A0	SS9151160CP	BRACKET ASM.		A		*		1	1.00
16	R	GPF010140A0	SS9151540SR	BRACKET ASM.		A		*		1	1.00
16	R	GPF010140A0	22983902	BRACKET ASM.				*		1	1.00
17		SS9151540SR		SCREW15/64-28L=15	PARTS WH- OSE SETTI- NG POSITI- ON CAN BE CHANGED BY OPERA- TOR'S PR- EFERENCE			*		1	
18		SS9151540SR		SCREW15/64-28L=15	PARTS WH- OSE SETTI- NG POSITI- ON CAN BE CHANGED BY OPERA- TOR'S PR- EFERENCE			*		1	
19		SS9151160CP		SCREW 15/64-28 L=10.5				*		1	
20		GPF01012000		SLEEVE				*		1	
21		WP1102016SC		WASHER 11X21X2				*		1	
22		CS111101DSH		THRUST COLLAR A- SM. D=11.11 W=10				*		1	
23		SS8660530TP		SCREW 1/4-40 L=4.5				*		2	
24		GPF01018000A		SPRING	FOR PF-5			*		1	
25		GPF01010000		PEDAL CONNECTING ARM				*		1	
26		SS9661120CP		SCREW 1/4-40 L=10.5	PARTS WH- OSE SETTI- NG POSITI- ON CAN BE CHANGED BY OPERA- TOR'S PR- EFERENCE			*		1	

PF-5: PEDAL/KNEE PRESSER CONTROLLED GATHERING MECHANISM (SPECIAL ORDER PARTS)



PF-5: PEDAL/KNEE PRESSER CONTROLLED GATHERING MECHANISM (SPECIAL ORDER PARTS)

No.	Supply Code	Parts No.	Replacement	Parts name	Remarks	Choice	Step	Level	Cons	Qty	Rep. QTY
27		GPF050060A0		STOPPER ASM.				*		1	
28		NS6150330SD		NUT 15/64-28				*		1	
29		SS9151740CP		SCREW15/64-28L=17				*		1	
30	R	SK3514000SC	SK3514001SE	WOOD SCREW D=5.1 L=40				*		2	1.00
31		GPF040040A0		WIRE ASM.				*		1	
32	R	SK3482500SC	SK3482501SE	WOOD SCREW D=4.8 L=25				*		2	1.00
33		GPF03001000		STOPPER BASE				*		2	
34		GPF010150B0		CONNECTING ROD ASM. LOWER				*		1	
35	R	D7117555BA0	22958557	JOINT BAR A ASM.				*		1	1.00
36		NM6060001SE		NUT M6				*		1	
37		B7114012000		MOTOR CONNECTING ROD				*		1	
38		SM9081423SE		SCREW M8 L=14				*		1	
39		NM6080721SE		NUT M8				*		1	
40	D	GPF01015000		CONNECTING ROD LOWER				*		1	
41		D7133555B00		CONNECTING ROD SPRING				*		1	
42		22958458		CONNECTING ROD ASM. B				*		1	
43	R	NM6060003SE	NM6060003SC	NUT FOR BRACKET				*		2	1.00
44		22958557		CONNECTING BALL ASM.				*		2	
45		22958805		CONNECTING BALL JOINT				*		1	
46		SM9081620SE		SCREW M8 L=16				*		1	
47		NM6080001SE		NUT M8				*		1	
48		SM9061203SE		SCREW M6 L=12				*		4	
49		WS0621210KR		SPRING WASHER 6.2X11.4X1.2				*		4	
50		WP0671016SE		WASHER 6.7X13X1				*		4	
51		D8112555B0E		PEDAL ADJUSTING PLATE				*		1	
52		SM9082023SE		SCREW M8 L=20				*		2	
53		WS0861410KR		SPRING WASHER 8.6X15X1.4				*		2	
54		WP0871602SE		WASHER 8.7X18X1.6				*		2	
55		D8114555B0E		PEDAL SHAFT BRACKET				*		2	
56		NM6080721SE		NUT M8				*		2	
57		D8113555B00		PEDAL BUSHING				*		4	
58		D8110555B0E		PEDAL				*		1	
59		D8111555B0E		PEDAL MAT				*		1	
60		B8125280000		PEDAL ADJUSTING PLATE				*		1	
61	D	B81517710A0		PEDAL ASM.				*		1	
62		B8152771000		PEDAL MAT				*		1	
63		GPF01017000		LINER PLATE				*		1	
64		GPF01016000		PEDAL SHAFT				*		1	

LIST FOR INFORMATION OF CHANGE (1)

As to the place changed, refer to the corresponding Rev.No.
 When previous parts(Obsoleted part)and new parts(Added parts)are
 not interchangeable with each other:
 In this case, even obsoleted parts(D.)can be ordered with the
 obsoleted part number, so select the parts with changed dates and
 place your orders.

変更箇所は、該当Rev.No.版をご参照ください。
 部品の互換性がない変更の場合は、削除された品番でも、ご注文できます。

BE484530PJA
 No.0260-06 Rev.No.

*A:Added parts追加部品/D:Obsoleted parts削除部品/E:Erratum訂正

* Rev. No.	Page 頁	Ref. No.	Parts No. 品番	* Rev. No.	Page 頁	Ref. No.	Parts No. 品番
D 05	2	1	B1121-552-0A0	A 06	2	1	401-14236
D 05	2	60	CM-3002000-B1				
D 05	2	61	CM-3002001-01	A 06	2	60	CM-3012000-01
D 05	2	62	CM-3002001-A1				
				A 06	4	55	229-51552
D 05	8	51	B1432-027-000	A 06	8	51	228-14909
D 05	10	8	B1625-555-000	A 06	10	8	401-14880
D 05	10	15	B1612-161-000	A 06	10	15	401-14884
D 05	10	18	B1627-555-0A0	A 06	10	18	401-20458
				A 06	10	66	400-82080
				A 06	10	67	400-82081
D 05	12	21	B1604-155-000	A 06	12	21	401-33993
D 05	12	29	B1604-155-000	A 06	12	29	401-33993
D 05	12	37	SS-6121610-SP	A 06	12	37	SS-6121610-TP
D 05	12	42	SS-2090710-SP	A 06	12	42	SS-2090710-TP
D 05	20	62	SS-4080610-SP	A 06	20	62	SS-4080620-TP
D 05	22	16	SS-6090510-SP	A 06	22	16	SS-6090510-TP
D 05	22	33	D2460-486-EAB				
				A 06	22	33	BT-0800602-E0
D 05	24	35	D3901-486-EAC				
D 05	24	41	NM-6040002-SE	A 06	24	41	NM-6040003-SC
D 05	24	42	WS-0411002-KB	A 06	24	42	WS-0411002-KS
D 05	24	44	G5066-110-000	A 06	24	44	HX-0015000-0B
D 05	26	11	D3008-486-EAB				
D 05	26	19	NM-6040002-SE	A 06	26	19	NM-6040003-SC
D 05	26	20	WS-0411002-KB	A 06	26	20	WS-0411002-KS
D 05	26	23	HW-5F18S12-48	A 06	26	23	HW-0006000-20
D 05	26	24	D2120-555-C00	A 06	26	24	HX-0015000-0A
D 05	26	25	SM-4040601-SB	A 06	26	25	SL-4041081-SC
D 05	26	26	WP-0450500-SB				
D 05	26	27	HW-5F18S12-48	A 06	26	12	HW-0006000-20
D 05	27	1	B3526-552-0A0	A 06	27	1	B3528-552-000
D 05	27	34	EA-9500B00-00	A 06	27	34	EA-9500B01-00
				A 06	27	35	B3526-226-000
				A 06	27	36	BP-3000000-00
D 05	30	1	269-10653	A 06	29	1	401-11351

HOW TO MAKE USE OF THIS PARTS LIST

1.Explanation of codes

1)"*"mark.....means this part is changed from the previous parts book.

As to the details of the change, refer to the "List for information of change".

2)"#01".....refer to "Note" explanation at bottom of page.

2.Codes on the "Qty" column

- Each numeral indicates the number of parts required.
- "0.1" and "2.5" indicate the length (in meters) of the respective parts.

3.Parentheses mean that the corresponding part is a subpart that constructs an assembly part.

4.Dotted lines on the Figures indicate assembly parts.

1."注記"欄の記号説明

1) "*"印.....前回のパーツブックに比較して今回変更された部品を意味します。

変更内容は、"変更情報リスト"を参照してください。

2) "#01".....ページ下の"注記"の説明を参照してください。

2.数量欄の数字は、個数を表し、0.1、2.5等の数値は、長さ（単位メートル）を表します。

3.数量欄の（ ）は、組部品を構成している子部品であることを意味します。

4.イラストページの-----枠は、組構成であることを意味します。

NUMERICAL INDEX OF PARTS

PART NO	PAGE	REF NO.	PART NO	PAGE	REF NO.	PART NO	PAGE	REF NO.
10163103	56	17	B1103484F00	6	22	B13084810A0	14	42
10163152	56	16	B1105380000	6	30	B13084810B0	14	41
10178705	14	9	B1106122000	2	36	B13084810C0	14	36
11004207	16	46	B1106380000	6	32	B1401481000	10	3
11007101	58	32	B1106481000A	6	15	B1403155000	10	8
11024106	52	14	B11064810A0A	6	14	B14033520A0	28	6
11072204	34	2	B1107380000	6	28	B1408481000	10	33
22814909	16	51	B1107481000	6	20	B14114810A0	10	9
22901409	10	22	B1108481000	6	16	B1414232000	28	21
22901805	4	61	B1109481000	6	18	B1414555000	10	11
22904155	22	32	B1110481000A	2	45	B1418552A00	10	7
22906101	10	20	B1111380000	4	49	B1419155000	10	6
22907000	14	8	B1111481000	4	46	B1509555000	14	13
22907109	14	7	B1112380000	4	51	B1511555000	14	14
22907406	14	12	B1112481000A	4	47	B1515552000	14	15
22907505	16	64	B1115380000	6	26	B1516552000	14	18
22907604	14	35	B111848100A	4	56	B15185550A0	14	23
22907703	14	11	B1119481000	2	15	B1520552000A	14	25
22907802	16	62	B112155200A	4	55	B1521555000	14	26
22908909	16	61	B1122552000	2	2	B1522552000	34	26
22912000	2	38	B1130481000A	2	6	B1523226000	14	21
22912109	2	39	B11304810A0	2	5	B1524481CC0	14	1
22925101	50	2	B1131481000	2	7	B1524484DB0	16	58
22932453	52	11	B1132481000	2	8	B1532481C00	14	2
22934202	52	26	B1134481000	2	33	B1533481C00	14	4
22934251	52	20	B1135481000	2	34	B1536481C00	14	3
22934301	52	21	B1161481000A	6	39	B1560431B00	58	17
22934400	52	25	B11614810B0	6	38	B1601484000	22	1
22934509	52	23	B1162481000	6	41	B1602484000	22	14
22934608	52	24	B1166481000	6	42	B16034840A0	22	5
22951552	8	55	B1167481000	6	43	B1604484000	22	2
22958458	62	42	B1168481000	6	44	B1606484000	18	41
22958557	62	44	B1201481000A	10	23	B1607352000	16	49
22958805	62	45	B1202481000	10	36	B1607484000A	18	40
40013170	56	15	B1203481B00	10	37	B16084840A0	18	38
40082080	20	66	B12064810A0	10	27	B1610430000	22	24
40082081	20	67	B12064810B0	10	28	B16104300A0	22	7
40111351	54	1	B12135520A0A	10	24	B16104300A0	30	37
40114236	2	1	B1214038000	50	6	B16104840A0	18	12
40114880	18	8	B1226552000	10	26	B1613484F00	22	20
40114884	18	15	B1301481000A	14	44	B1613484G00	24	47
40120458	18	18	B1302552B00	14	45	B1614484000A	18	34
40133993	22	29	B13050120A0	14	39	B1615484000	18	33
A1132001000	58	6	B13061550A0	14	43	B1617484000	18	29
B1103484B00	8	47	B13061550B0	14	38	B1618484000	18	31

NUMERICAL INDEX OF PARTS

PART NO	PAGE	REF NO.	PART NO	PAGE	REF NO.	PART NO	PAGE	REF NO.
B1619555000	18	28	B17014840A0	22	40	B2110481000A	28	13
B1620481000	18	5	B1702155000	22	34	B2111481000A	28	16
B1621555000A	18	17	B17031550A0	22	36	B21124810A0	28	19
B1622555000	18	6	B1708481000	22	43	B21154810A0	28	29
B1623555000A	18	1	B171248100B	22	44	B21174810A0	28	12
B1623555A00	20	64	B1713481000	22	22	B21194810A0	28	33
B1624555000	20	50	B1715481000	22	12	B21204810A0	28	31
B162455500A	20	65	B1715481000	28	25	B2122481000	28	36
B1626555000	18	9	B1801481000A	16	48	B2123481000	28	37
B1628555000	18	23	B1802481000	16	56	B2124481000	28	27
B16294840A0A	20	46	B1803481000	16	54	B21254810A0	28	39
B1630484000	18	44	B1803481000	30	25	B2201481000A	2	27
B1631484000	20	59	B1813481000	16	65	B2202481000	2	29
B1632470000	18	25	B1827232000	28	22	B2203481000	36	46
B1633484000	18	35	B1901481000A	10	15	B2212481000	36	57
B1634555000B	18	3	B19024810A0B	10	12	B2214481000	36	54
B1636581B00	18	16	B1903481000	2	42	B2215481000	36	59
B1646484000	18	24	B1903552000	10	35	B2216481000	36	53
B1647704000A	26	1	B1904481000	2	40	B2217481000	36	51
B1649161000	20	62	B190448100A	4	57	B2218481000	36	48
B16514840A0	26	35	B1905380000	6	1	B2220481010	36	64
B1652484000	22	10	B1905541B00	10	34	B2225481000	36	65
B1653484C00	24	45	B1908481000A	10	16	B2226481000	16	66
B1653484F00	22	18	B1909481000A	10	18	B23014810A0	30	31
B1653484G00	24	46	B1916481000	2	25	B2302481000	30	33
B1654484000	26	29	B1916481000	6	10	B23034810A0	30	39
B1656484000	22	4	B2001481000A	30	22	B23044810A0	30	41
B1657484000	26	31	B2002481000	30	23	B23054810A0	32	46
B16584840A0	26	27	B20044810A0	30	27	B2306019000	34	38
B1659484000	26	33	B20054810AB	30	29	B2306481000	30	43
B1660484000	20	53	B20064810A0	30	19	B2307481000	30	44
B1661481000	20	54	B2007481000	30	21	B23084810A0	32	55
B1661484000	26	32	B2008481000	30	14	B23094810A0	32	49
B1662484000	26	26	B20104810A0	30	11	B2310481000	32	52
B16634840A0	26	19	B2012481000	30	9	B2311481000A	32	48
B1664484000	26	17	B20144810A0	30	15	B2312481000	32	57
B16654840A0	26	14	B20154810A0	30	4	B2657771000	50	15
B1666484000	26	8	B2025481000	30	6	B3101481000	34	40
B1667484000	26	7	B2030481000	30	3	B3102481000	34	39
B1668484000	26	13	B2032481000	30	8	B31024810A0	34	35
B1669484000	26	9	B210348100B	28	4	B3104481000	34	37
B1670484000	26	2	B2105481000	28	5	B3106380000	34	8
B16714840A0	26	22	B21064810A0	28	9	B3106481000	34	3
B1673484000	20	55	B2108481000	28	18	B3107704000	34	41
B1701481000	22	28	B2109481000A	28	14	B3115481000	34	27

NUMERICAL INDEX OF PARTS

PART NO	PAGE	REF NO.	PART NO	PAGE	REF NO.	PART NO	PAGE	REF NO.
B3116481000	34	28	B3553481000	50	14	D1230555B00	12	43
B3116481000	40	69	B3554481000	50	17	D1231555B00	12	44
B3117481000	34	29	B41033520A0	22	26	D1232555B00	12	45
B3119771000	34	43	B7114012000	62	37	D1517555B00A	14	19
B3120125000	34	44	B8125280000	62	60	D1901481CC0	10	14
B3120125000	36	44	B81517710A0	62	61	D1910481C00	10	17
B3120481000	34	33	B8152771000	62	62	D1912481C00A	6	3
B3121481000	34	12	B8217481000	52	3	D1913481C00	2	21
B3126012000	34	36	B8217481AC0	52	2	D1913481C00	6	6
B3126352000	34	5	B8217481AD0	52	1	D1913481CA0	2	20
B3129012A00	34	42	B8228125000	52	19	D1913481CA0	6	5
B3148123000	2	22	B82303800A0	56	10	D1914481C00A	2	24
B3148123000	6	8	B8231380000	56	14	D1914481C00A	6	7
B3412415000	14	27	B8235481000	52	4	D1917481C00	2	23
B3413227000	60	3	B8237481000	52	5	D1917481C00	6	9
B3413552000	60	11	B91351230A0	50	18	D2013481C00	30	1
B3414415000A	14	30	BP300000000	50	36	D2101481CA0	28	1
B3415481000	14	33	BT0500300EA	30	18	D2101555C00	46	3
B3416415000A	14	31	BT0800602E0	38	33	D2101555C0A	46	30
B3416552000	14	28	CM300200001	4	59	D2102555B00	46	32
B3417552000	60	12	CM301200001	4	60	D2107555B00	48	55
B3420555000	52	10	CM500300001	56	11	D2111555B00B	46	1
B3421555000	52	18	CQ202000000	22	8	D2111555B0A	46	29
B3425555000A	52	15	CQ202000000	28	34	D2112555B00	6	35
B3426552000	52	13	CQ202000000	38	19	D2114555B00	46	8
B3426552000	60	13	CQ252000000	22	25	D2118555B00A	42	37
B3431581000	14	20	CQ252000000	30	47	D2118555B00A	46	15
B3501555000	50	23	CQ252000000	32	47	D2119555C00	46	21
B35015550A0	50	19	CQ303000000	22	31	D2120555C00	36	73
B3502555000A	50	29	CQ303000000	26	36	D2126481CA0	28	42
B3503555000	50	20	CQ303000000	30	38	D2210481DA0	36	45
B3505555000	50	21	CS072081CSM	58	27	D2211481D00	36	58
B3506555000	50	22	CS1111101DSH	60	22	D2213481C00	36	56
B3507555000	50	24	CS111121ASH	16	52	D2227481D00	36	61
B3508555000	50	25	CS147121ESH	10	39	D2401481CD0	38	5
B3513484000A	50	12	D1104481C00	6	25	D2401481CDB	38	6
B3521481000A	50	33	D1104481CA0	6	24	D2403481C00	38	7
B3526226000	50	35	D1118481C00	2	14	D2404481D0A	38	12
B3527415000	50	13	D1204555D00	10	42	D2404481D0B	38	13
B3528552000	50	1	D1204555DA0	10	41	D2405481C00A	38	4
B3530555000	50	8	D1208555D00	12	46	D2406481D00	38	10
B3534012000	2	18	D1217486D00	12	47	D2407481D00	38	9
B3534155000	50	5	D1217486D0A	12	48	D2407481DBA	38	1
B3545122000	50	10	D1230552B00	10	4	D2407481DBB	38	2
B3552481000	50	11	D1230555B00	10	43	D2408481C00A	38	15

NUMERICAL INDEX OF PARTS

PART NO	PAGE	REF NO.	PART NO	PAGE	REF NO.	PART NO	PAGE	REF NO.
D2409481D00	38	11	D3111481CA0	2	16	D6029555B0A	44	50
D2410481C00A	38	18	D3130481CA0	34	20	D7117555BA0	62	35
D2411481CA0	40	66	D3133481C00	34	23	D7133555B00	62	41
D2412481C00	38	21	D3134481C00	34	22	D8110555B0E	62	58
D2413481C00	38	20	D3135481C00A	34	16	D8111555B0E	62	59
D2414481CA0	38	23	D3135481CB0	34	15	D8112555B0E	62	51
D2415481C00	38	32	D3136481CA0	34	17	D8113555B00	62	57
D2415481D00	38	27	D3164555B00	60	7	D8114555B0E	62	55
D2415481DA0A	38	26	D3536555B00	50	3	D8227555E00	52	6
D2416481C00	38	29	D3901481C0B	44	49	D8230555E00	56	3
D2421481CA0	40	49	D3901481C0B	46	13	D8231555E00	56	5
D2424481C00A	40	60	D3901481D0B	42	35	D8231555E0A	56	6
D2425481C00	40	61	D3901481D0B	46	14	D8231555E0D	56	12
D2426481C00	40	56	D3901481DAA	42	31	D8232555B00	56	8
D2428481CA0	40	58	D3901481DAB	42	32	D8232555E00	56	9
D2429481C00	40	52	D3901486DAC	42	34	D8232555E0A	56	13
D2430481C00	40	53	D3901486E0B	42	36	D9101481CA0	8	49
D2460481DAA	38	35	D3901486EAB	42	33	EA9500B0100	50	34
D2460481DAB	38	34	D3902481C00A	42	39	G5066110000	40	41
D2461481C00	38	40	D3903481C00	44	46	GAK04001A00	60	9
D2461486E00	40	63	D3903481C0A	44	48	GPF01009000	60	10
D2462481C00	40	47	D3904481E00	42	29	GPF01010000	60	25
D2465481C00	38	37	D3905481C00	42	25	GPF01012000	60	20
D2466481C00	38	38	D3906481C00	42	22	GPF01013000A	60	8
D2467555B00	6	37	D3907481CA0	42	26	GPF010140A0	60	16
D2480484D00	6	34	D3908481C00	42	20	GPF01015000	62	40
D2611555B00A	48	51	D3909481C00	42	24	GPF010150B0	62	34
D3001481C00A	46	33	D3910481C00	42	18	GPF01016000	62	64
D3002481C00A	46	34	D3911481C00	42	8	GPF01017000	62	63
D3003481C00A	46	38	D3911481CA0	42	1	GPF01018000A	60	24
D3004481C00A	46	36	D3912481CA0	42	6	GPF03001000	62	33
D3005481C00	48	54	D3913481D00	42	5	GPF040010A0	60	5
D3006481C00	46	17	D3914481C00	42	7	GPF040040A0	62	31
D3008481DAA	46	10	D3915481C00	42	13	GPF050000A0	60	1
D3008481DAB	46	11	D3916481C00	6	12	GPF050000B0	60	2
D3010481C00	46	43	D3916481C00	42	14	GPF050060A0	62	27
D3010481CAB	46	41	D3917481D00	42	4	HK03464000B	40	43
D3010481DA0	46	42	D3918481D00	42	2	HK03464000B	44	51
D3011481C0B	48	50	D3919481D00	42	9	HK03464000B	46	28
D3011481D00	46	44	D3921481D00	38	31	HW000600020	46	23
D3012481D00	48	47	D3928481DA0	36	70	HW200110000	42	43
D3013481D00	48	48	D3929481DA0	36	71	HW2F18S1219	46	22
D3103481DA0	34	1	D3931481D00	36	66	HX00150000A	46	24
D3105481D00	36	72	D6001555B00	44	52	HX00150000B	42	44
D3110481C00	34	25	D6009555D0A	46	27	MAI15043000	46	26

NUMERICAL INDEX OF PARTS

PART NO	PAGE	REF NO.	PART NO	PAGE	REF NO.	PART NO	PAGE	REF NO.
MAS060000A0	58	3	NS6150430SP	20	56	SK3482500SC	62	32
MAS060010A0	58	1	NS6160520SP	58	33	SK3514000SC	62	30
MAS060010B0	58	4	NS6620310SP	14	34	SL4030621SS	46	7
MAS06002000	58	7	NS6620310SP	26	24	SL4040881SF	46	6
MAS06003000	58	8	NS6680410SP	22	38	SL4041081SC	46	25
MAS06004000	58	13	PS0200102KH	34	7	SM4031001SC	50	26
MAS06005000	58	12	RE0200000K0	42	30	SM4040601SB	42	54
MAS06006000	58	20	RE0250000K0	38	8	SM4040601SB	44	54
MAS06007000	58	25	RE0250000K0	46	31	SM6062002TP	28	15
MAS06008000	58	24	RE0400000K0	36	68	SM6062002TP	30	2
MAS06009000	58	26	RE0400000K0	38	39	SM8063012TR	52	17
MAS06011000	58	38	RE0500000K0	14	29	SM9061203SE	52	22
MAS060120A0	58	34	RE0500000K0	46	35	SM9061203SE	62	48
MAS06013000	58	36	RE0600000K0	14	22	SM9061853SR	52	16
MAS06014000	58	31	RE0600000K0	34	32	SM9081423SE	62	38
MAS060150A0	58	29	RE0600000K0	42	28	SM9081620SE	62	46
MAS060160A0	58	16	RE0901110K0	42	38	SM9082023SE	62	52
MAS06017000	58	9	RE0901110K0	46	16	SQ1110401MZ	50	7
MAS06018000	58	5	RO029180100	10	25	SS1080510SP	22	11
MAS06101000	60	4	RO037180100	14	24	SS1080510SP	28	26
MAT80115T00	42	40	RO037180100	34	19	SS1110710SP	2	28
MAT80115T00	46	18	RO044240100	10	32	SS2080810SP	28	3
MC380000750	10	2	RO061180100	26	18	SS2090710TP	22	42
MTV700B1100	10	1	RO068190100	52	8	SS2110920TP	6	23
NM60300000E	50	28	RO069180100	20	49	SS2110930SP	18	13
NM6040003SC	42	41	RO069180100	26	21	SS3120540SP	58	19
NM6040003SC	46	19	RO074240100	18	4	SS4080415SP	6	33
NM6050001SP	38	30	RO195240100	50	9	SS4080415SP	42	10
NM6060001SE	52	9	SD0360601SP	38	14	SS4080610SP	58	11
NM6060001SE	62	36	SD0450211SP	42	21	SS4080620TP	26	34
NM6060003SE	62	43	SD0450701TP	28	10	SS4080620TP	36	62
NM6080001SE	62	47	SD0600322SD	14	32	SS4110515SP	2	53
NM6080721SE	62	56	SD0600452TP	40	54	SS4110515SP	4	53
NS6060310SP	2	26	SD0630275SP	14	16	SS4110515SP	6	48
NS6060310SP	6	11	SD0630301SP	14	17	SS4110515SP	8	48
NS6090310SP	42	12	SD0640211SP	36	69	SS4110515SP	36	63
NS6110310SP	14	5	SD0640231SP	8	45	SS4110515SP	42	19
NS6110310SP	18	43	SD0640241SP	60	15	SS4110515SP	56	4
NS6110310SP	34	55	SD0640322TP	26	25	SS4110615SP	8	53
NS6110310SP	36	55	SD0790641SP	20	45	SS4110715SP	34	74
NS6110420SP	20	63	SD0791051SP	58	37	SS4110715SP	36	74
NS6110420SP	26	16	SD0791501SP	40	55	SS4110715SP	50	16
NS6120310SP	28	35	SD1020701SP	22	39	SS4110815SP	2	19
NS6120310SP	40	50	SE4301031SR	50	30	SS4110815SP	56	7
NS6150330SD	62	28	SK3482500SC	56	19	SS4111015SP	2	3

NUMERICAL INDEX OF PARTS

PART NO	PAGE	REF NO.	PART NO	PAGE	REF NO.	PART NO	PAGE	REF NO.
SS4111415SP	34	31	SS6661110SP	18	14	SS7111410SP	10	21
SS4112515SP	34	30	SS7080410SP	46	39	SS7111410TP	22	19
SS4150915SP	6	36	SS7080510TP	10	5	SS7111410TP	26	28
SS4150915SP	56	1	SS7081310SP	36	60	SS7111810SP	20	60
SS5060310SP	16	59	SS7090410SP	42	23	SS7112420SP	46	9
SS5060310SP	38	17	SS7090510SP	48	53	SS7150740SP	8	50
SS5060310SP	58	2	SS7090520TP	26	12	SS7151120SP	10	38
SS5110810SP	26	3	SS7090520TP	28	41	SS7151210SP	40	64
SS5110810SP	40	51	SS7090520TP	30	53	SS7620750SP	18	22
SS6060210SP	6	27	SS7090520TP	32	53	SS7681650TP	10	30
SS6060220SP	4	52	SS7090710SP	46	37	SS7701010SP	52	7
SS6060340SP	6	29	SS7090710SP	58	18	SS8080310TP	42	3
SS6060410TP	14	6	SS7090910TP	30	51	SS8090540SP	20	58
SS6080320SP	2	48	SS7090910TP	32	51	SS8110410TP	22	23
SS6080320SP	4	48	SS7091110TP	16	60	SS8110410TP	28	8
SS6080320SP	26	6	SS7110340SP	46	2	SS8110410TP	30	34
SS6080320SP	36	52	SS7110510SP	2	35	SS8110510SP	18	11
SS6080320SP	48	49	SS7110510SP	42	17	SS8110750SP	18	30
SS6080410SP	36	49	SS7110710SP	18	10	SS8110750SP	58	35
SS6080410SP	46	45	SS7110710SP	26	10	SS8150310SP	4	50
SS6090420SP	38	3	SS7110710SP	46	4	SS8150710SP	18	48
SS6090510TP	38	16	SS7110710SP	58	28	SS8150710SP	20	48
SS6090630SP	2	17	SS7110710SP	60	6	SS8150710SP	22	35
SS6090670TP	10	19	SS7110710TP	40	62	SS8150710SP	26	30
SS6091210TP	10	13	SS7110740TP	38	46	SS8150710SP	28	38
SS6092120SP	30	16	SS7110740TP	40	46	SS8150710SP	30	45
SS6110420TP	34	34	SS7110840SP	40	65	SS8150710SP	58	15
SS6110710TP	34	21	SS7110840SP	46	52	SS8150710TP	10	29
SS6120930SP	18	2	SS7110840SP	48	52	SS8150710TP	28	2
SS6121210SP	18	47	SS7110910SP	18	27	SS8150710TP	30	32
SS6121210SP	20	47	SS7110910SP	40	42	SS8151150SP	16	57
SS6121220TP	28	40	SS7110910SP	58	39	SS8151150SP	22	30
SS6121220TP	30	56	SS7110910TP	58	21	SS8151150TP	40	59
SS6121220TP	32	56	SS7111110TP	22	16	SS8151550SP	12	49
SS6121610TP	22	37	SS7111110TP	28	20	SS8620610SP	22	9
SS6121850TP	18	39	SS7111110TP	30	40	SS8660530TP	60	23
SS6121850TP	22	6	SS7111110TP	38	67	SS8660610TP	14	10
SS6122510SP	50	32	SS7111110TP	40	67	SS8660610TP	22	33
SS6123010SP	50	31	SS7111110TP	42	27	SS8660810TP	10	40
SS6150610SP	18	42	SS7111110TP	58	30	SS8660810TP	14	53
SS6151040SP	40	68	SS7111120SP	18	26	SS8660810TP	16	53
SS6151412TP	40	57	SS7111120SP	26	23	SS8660810TP	20	52
SS6151920SP	38	22	SS7111120SP	40	45	SS8660810TP	22	41
SS6621220SP	22	27	SS7111120SP	58	22	SS8660810TP	30	28
SS6660610TP	30	30	SS7111310TP	30	42	SS8661040TP	20	51

NUMERICAL INDEX OF PARTS

PART NO	PAGE	REF NO.	PART NO	PAGE	REF NO.
SS8681650TP	10	31	WS0441040KP	44	53
SS9151120CP	2	37	WS0621210KR	62	49
SS9151160CP	60	19	WS0861410KR	62	53
SS9151540SR	60	18	WT0320002KZ	50	27
SS9151630CP	18	36	WT0530002KS	8	54
SS9151740CP	62	29	WT0640002KN	8	52
SS9661120CP	60	26	WZ0641510KP	8	46
TA0750704R0	2	12	WZ1052010KP	20	61
TA1050504R0	2	13			
TA1050504R0	6	40			
TA1050504R0	30	17			
TA1250406R0	2	4			
TA1250705R0	2	11			
TA1750502R0	4	54			
TA2050406R0	4	58			
TA2101002R0	2	30			
TA2351004R0	2	32			
TA2351305R0	2	31			
WP03305000E	58	10			
WP0371026SD	32	54			
WP0371026SD	36	50			
WP0371026SD	42	11			
WP0371026SD	48	46			
WP0371036SD	46	40			
WP0480856SP	2	44			
WP0480856SP	22	17			
WP0480856SP	26	11			
WP0480856SP	40	44			
WP0480856SP	58	40			
WP0501016SC	56	18			
WP0501016SD	28	24			
WP0501016SD	40	48			
WP0621016SD	18	57			
WP0621016SD	20	57			
WP0621016SD	26	5			
WP0621016SD	56	2			
WP0621026SP	8	51			
WP0671016SE	62	50			
WP0740516SP	16	63			
WP0740516SP	34	14			
WP0851216SC	34	9			
WP0871602SE	62	54			
WP1102016SC	60	21			
WS0411002KS	42	42			
WS0411002KS	46	20			