

MODEL : LH-1152

List No : 0128-09

# PARTS LIST

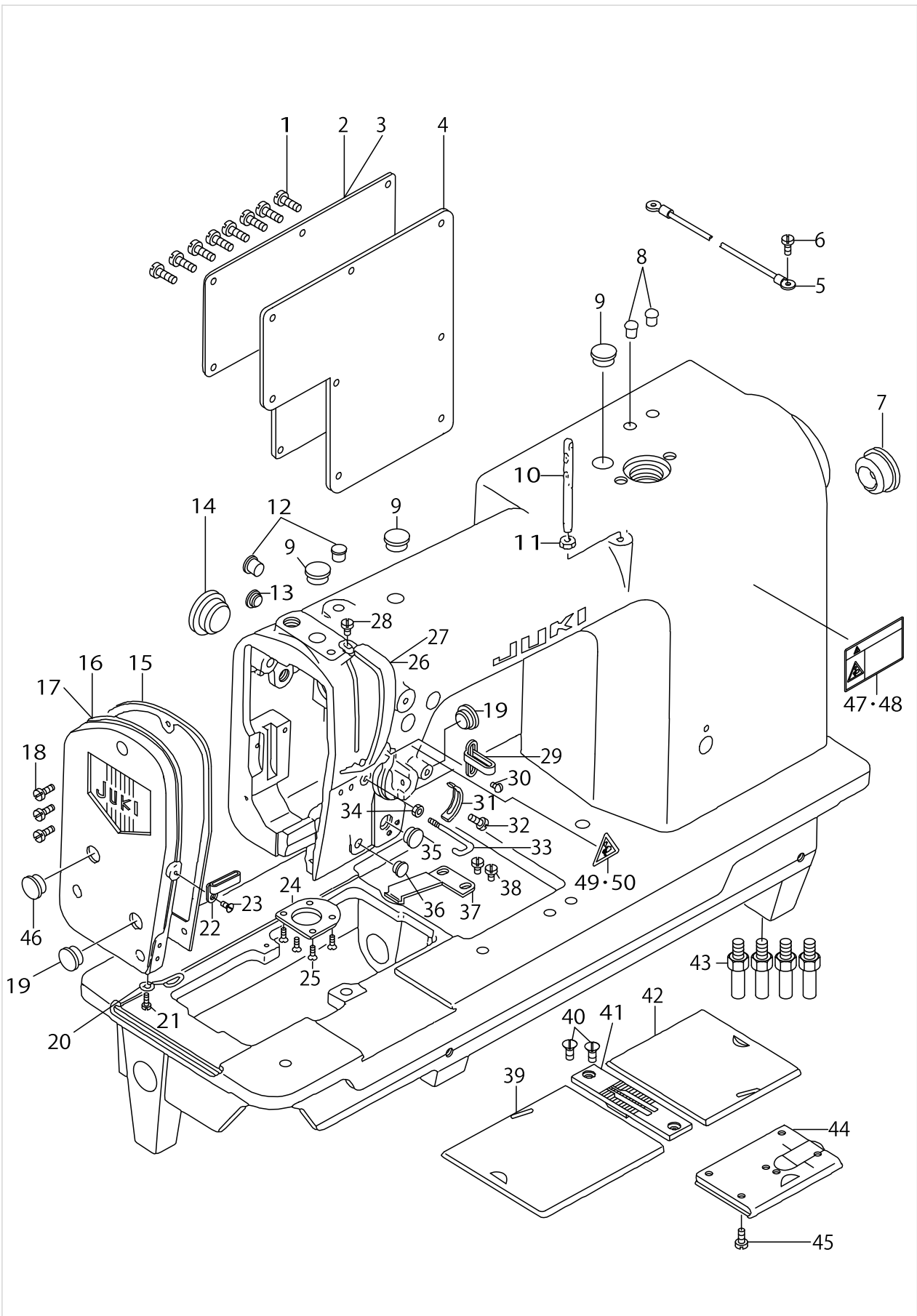
Published:05/12/2017

## CONTENTS

---

MACHINE FRAME & MISCELLANEOUS COVER COMPONENTS .....	1
MAIN SHAFT, NEEDLE FEED & NEEDLE BAR COMPONENTS.....	5
HOOK & HOOK DRIVING SHAFT COMPONENTS .....	9
FEED MECHANISM COMPONENTS.....	13
PRESSER BAR & TENSION RELEASE COMPONENTS(FOR LH-2178-7).....	17
EXCLUSIVE PARTS BY STITCH SPECIFICATION (1).....	21
EXCLUSIVE PARTS BY STITCH SPECIFICATION (2).....	23
LUBRICATION COMPONENTS .....	25
OIL RESERVOIR & KNEE LIFTER COMPONENTS.....	27
THREAD TENSION CONTROLLER COMPONENTS .....	29
BELT COVER & BOBBIN WINDER COMPONENTS .....	31
BELT COVER & BOBBIN WINDER COMPONENTS (SPECIAL PARTS).....	33
THREAD STAND COMPONENTS.....	35
FOR STITCH SPECIFICATION "S","A","G" (1).....	37
FOR STITCH SPECIFICATION "S","A","G" (2).....	41
TABLE OF EXCHANGING GAUGE PARTS COMMON TO ALL STITCH SPECIFICATIONS .....	45
FOR STITCH SPECIFICATION "F".....	47
LIST FOR INFORMATION OF CHANGE.....	49
HOW TO MAKE USE OF THIS PARTS LIST .....	50

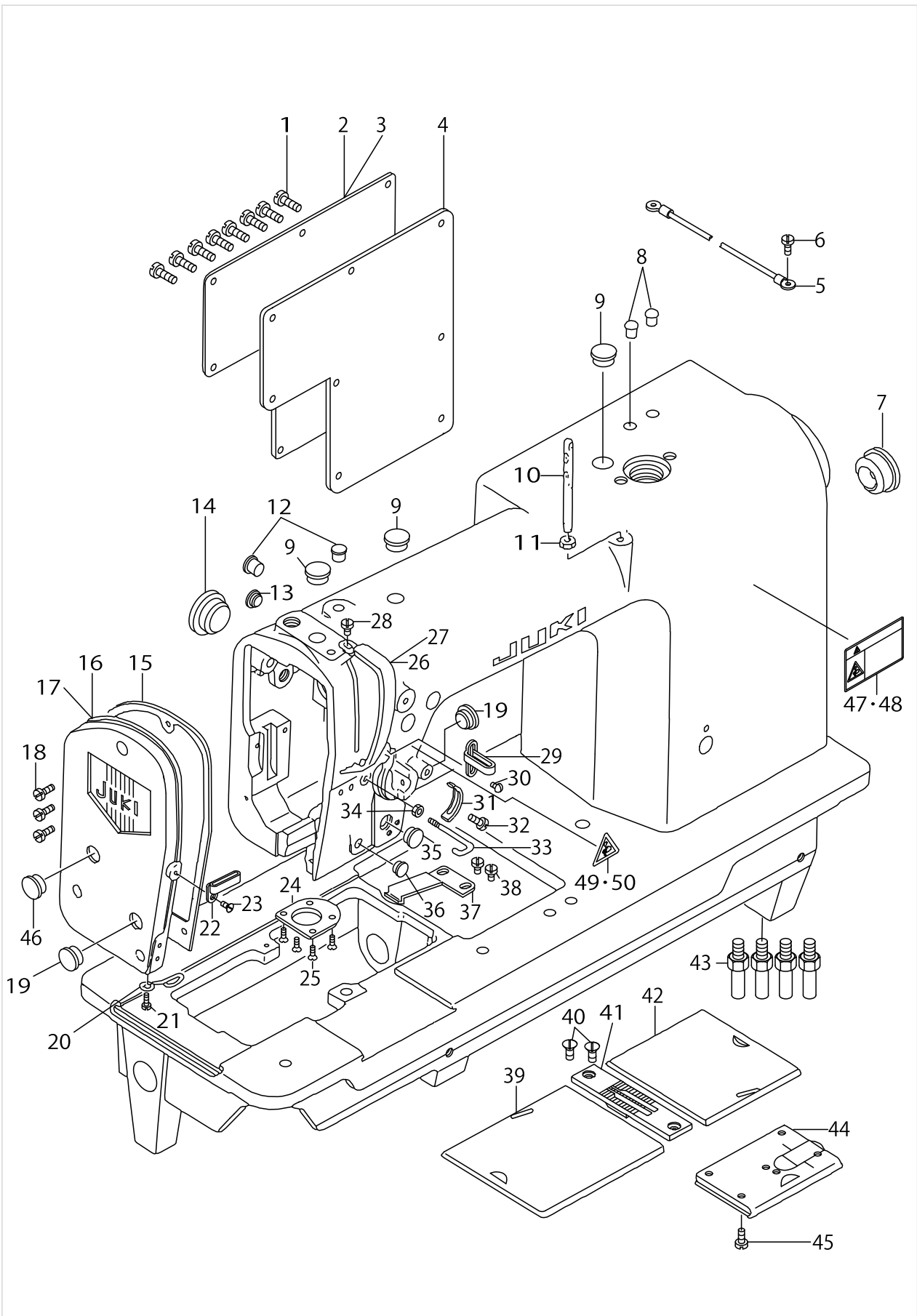
MACHINE FRAME & MISCELLANEOUS COVER COMPONENTS



MACHINE FRAME & MISCELLANEOUS COVER COMPONENTS

No.	Supply Code	Parts No.	Replacement	Parts name	Remarks	Choice	Step	Level	Cons	Qty	Rep. QTY
1	R	SS7110910SP	SS7110910TP	SCREW 11/64-40 L=8.5						8	1.00
2	D	10100907		SIDE PLATE						1	
3		10602902		SLIDE PLATE	FOR URBA- N WHITE S- PECIFICAT- ION PARTS.					1	
4		10101004		GASKET						1	
5		10741759		GROUND WIRE ASM.						1	
6		SS7110710SP		SCREW 11/64-40 L=7						1	
7		TA2351004R0		RUBBER PLUG						1	
8		TA0550604R0		RUBBER PLUG						2	
9		TA1250504R0		RUBBER PLUG						3	
10		B1114051000		NEEDLE THREAD GUIDE PIN						1	
11		NS6620310SP		NUT 3/16-32						1	
12		TA0750704R0		RUBBER PLUG						2	
13		TA0750404R0		PLUG D=7.5 L=3.5						1	
14		TA2100904R0		RUBBER PLUG						1	
15		10100808		GASKET						1	
16	D	10100758		FACE PLATE ASM.						1	
17	D	10160851		FACE PLATE ASM.	FOR URBA- N WHITE S- PECIFICAT- ION PARTS.					1	
18	R	SS7111120SP	SS7111120TP	SCREW 11/64-40 L=10.5						3	1.00
19		TA1250406R0		RUBBER PLUG D=12.5 L=4						2	
20		10101509		THREAD GUIDE, D						1	
21		SS5090610SP		SCREW 9/64-40 L=6						1	
22		10101400		THREAD GUIDE, C						1	
23	R	SS2090710SP	SS2090710TP	SCREW 9/64-40 L=7						7	1.00
24		10101103		PLATE						1	
25		SS2080810SP		SCREW 1/8-44 L=7.5						4	
26		B1123552000A		THREAD TAKE UP L- EVER OIL GUARD						1	
27		B1123552A00		THRED TAKE-UP L- EVER OIL GUARD	FOR URBA- N WHITE S- PECIFICAT- ION PARTS.					1	
28		SS7110510SP		SCREW 11/64-40 L=5						1	
29	D	10101301		THREAD GUIDE, B	REPLACE THIS PAR- TS FOR S- TITCH SPE- CIFICATION "G".(SEE PAGE 11)					1	
30		SS5090610SP		SCREW 9/64-40 L=6						1	
31		B3138512000		TAKE-UP SPRING A- DJUSTING PLATE						1	
32	R	SS7090520SP	SS7090520TP	SCREW 9/64-40 L=4.5						1	1.00
33		10101202		THREAD GUIDE, A						1	
34	D	B1132512000		NUT						1	
35		TA1050604R0		RUBBER PLUG						1	
36		TA0750404R0		PLUG D=7.5 L=3.5						1	
37		B1111563000		BED SLIDE SPRING						1	
38		SS7110510SP		SCREW 11/64-40 L=5						2	

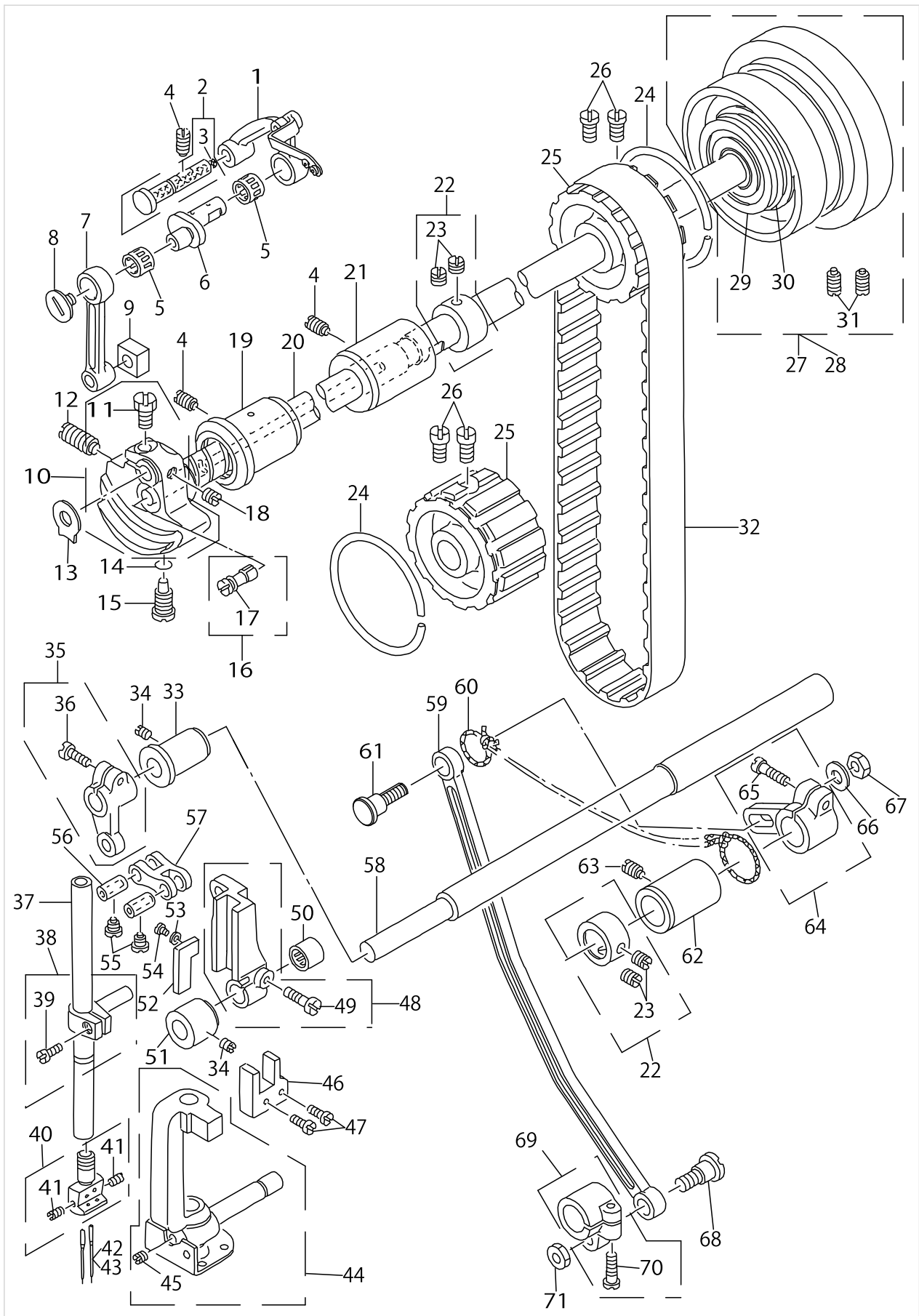
MACHINE FRAME & MISCELLANEOUS COVER COMPONENTS



MACHINE FRAME & MISCELLANEOUS COVER COMPONENTS

No.	Supply Code	Parts No.	Replacement	Parts name	Remarks	Choice	Step	Level	Cons	Qty	Rep. QTY
39	D	10146009		BED SLIDE, LEFT 3/32" TO 7/16	EXCHANGING GAUGE PARTS SEE PAGE 21~25 FOR STITCH SPECIFICATIONS "A", "G" AND "S" AND PAGE 12 AND PAGE 26 FOR STITCH SPECIFICATION "F", RESPECTIVELY.					1	
40		SS2110920TP		SCREW 11/64-40 L=8.5						2	
41	D	10135309		THROAT PLATE 3/16	EXCHANGING GAUGE PARTS SEE PAGE 21~25 FOR STITCH SPECIFICATIONS "A", "G" AND "S" AND PAGE 12 AND PAGE 26 FOR STITCH SPECIFICATION "F", RESPECTIVELY.					1	
42		10146504		BED SLIDE, RIGHT 3/32" TO 7/16	EXCHANGING GAUGE PARTS SEE PAGE 21~25 FOR STITCH SPECIFICATIONS "A", "G" AND "S" AND PAGE 12 AND PAGE 26 FOR STITCH SPECIFICATION "F", RESPECTIVELY.					1	
43		22602601		BED SCREW STUD						3	
44	D	10100659		BED SLIDE ASM.	REPLACE THIS PARTS FOR A,B TYPES FOR TAPE ATTACHING WITH STITCH SPECIFICATION "F".(SEE PAGE 12)					1	
45		SS3130710SP		SCREW 13/64-32 L=6.5						3	
46		TA2050406R0		RUBBER PLUG						1	
47		CM300200101		SAFETY LABEL, 1(SMALL).	FOR USE IN JAPAN					1	
48		CM3002001A1		SAFETY LABEL.,3 (SMALL).	EXCEPT JE & USE IN JAPAN					1	
49		CM300200001		ATTENTION SEAL	FOR JE					1	
50		CM3002000B1		LABEL(16)	FOR USE IN JAPAN					1	

MAIN SHAFT, NEEDLE FEED & NEEDLE BAR COMPONENTS

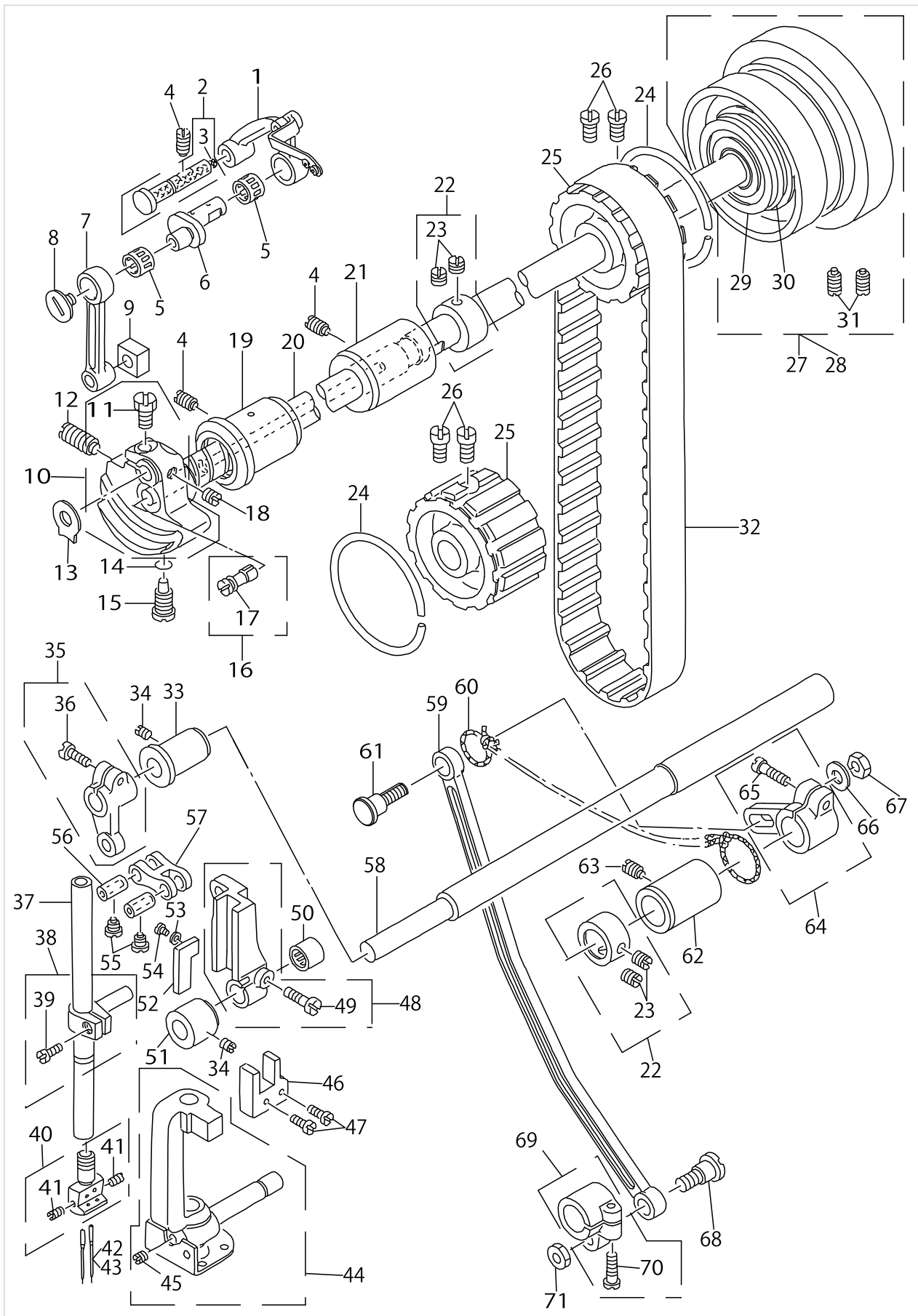


MAIN SHAFT, NEEDLE FEED & NEEDLE BAR COMPONENTS

No.	Supply Code	Parts No.	Replacement	Parts name	Remarks	Choice	Step	Level	Cons	Qty	Rep. QTY
1		10102853		THREAD TAKE-UP LEVER ASM.						1	
2		B19045520A0		CRANK SHAFT STUD ASM.						1	
3		CQ350000F0		OIL FELT				*		0.1	
4	R	SS8151150SP	SS8151150TP	SCREW 15/64-28 L=10.5						3	1.00
5		B1905541B00		NEEDLE BEARING	SELECTIVE PARTS					2	
6		10102705		NEEDLE BAR CRANK						1	
7		10104701		NEEDLE BAR CRANK ROD						1	
8		B1903552000		LEFT SCREW						1	
9		B1414555000		SLIDE BLOCK						1	
10		10102655		COUNTERWEIGHT ASM.						1	
11		SS9661120CP		SCREW 1/4-40 L=10.5				*		1	
12		SS8681950SP		SCREW 9/32-28 L=19						1	
13		B1212552A00		COUNTERWEIGHT PROTECTING PLATE						1	
14		RO044240100		RUBBER RING						1	
15		SS7681650TP		SCREW 9/32-28 L=16						1	
16		B12135520A0A		OIL AMOUNT ADJUSTING PIN ASM.						1	
17		RO029180100		RUBBER RING				*		1	
18		SS8660610TP		SCREW 1/4-40 L=6						1	
19		10188902		MAIN SHAFT BUSHING, FRONT						1	
20		10102507		MAIN SHAFT						1	
21	D	10103000		MAIN SHAFT BUSHING, INTERMED.						1	
22		22904155		MAIN SHAFT THRUST COLLAR ASM.						2	
23		SS8660610TP		SCREW 1/4-40 L=6				*		4	
24		B1214019000		SPROCKET RING						2	
25		10103109		SPROCKET WHEEL						2	
26		SS6661110SP		SCREW 1/4-40 L=11						4	
27		10103257		HAND WHEEL ASM.						1	
28		10161057		HAND WHEEL ASM.	FOR URBAN WHITE SPECIFICATION PARTS					1	
29		SB120000100		BEARING D=20X47				*		1	
30		RO437200200		RUBBER RING				*		1	
31		SS8151550SP		SCREW 15/64-28 L=15				*		2	
32		10103406		TIMING BELT						1	
33		10121705		BUSHING						1	
34		SS8150510TP		SCREW 15/64-28 L= 4.7						2	
35	D	B29074150A0		DRIVING CRANK ASM.						1	
36		SS6121220TP		SCREW 3/16-28 L=11.5				*		1	
37		10104602		NEEDLE BAR						1	
38		10104859		NEEDLE BAR CONNECTION ASM.						1	
39	R	SS7090910SP	SS7090910TP	SCREW 9/64-40 L= 8.5				*		1	1.00
40		10147858		NEEDLE CLAMP ASM. 3/16	EXCHANGING GAUGE PARTS (SEE PAGE 25)					1	
41		SS8080660TP		SCREW 1/8-44 L=5.5				*		2	
42		MDP500B1400		NEEDLE DPX5 #14	EXCEPT JE					2	



MAIN SHAFT, NEEDLE FEED & NEEDLE BAR COMPONENTS

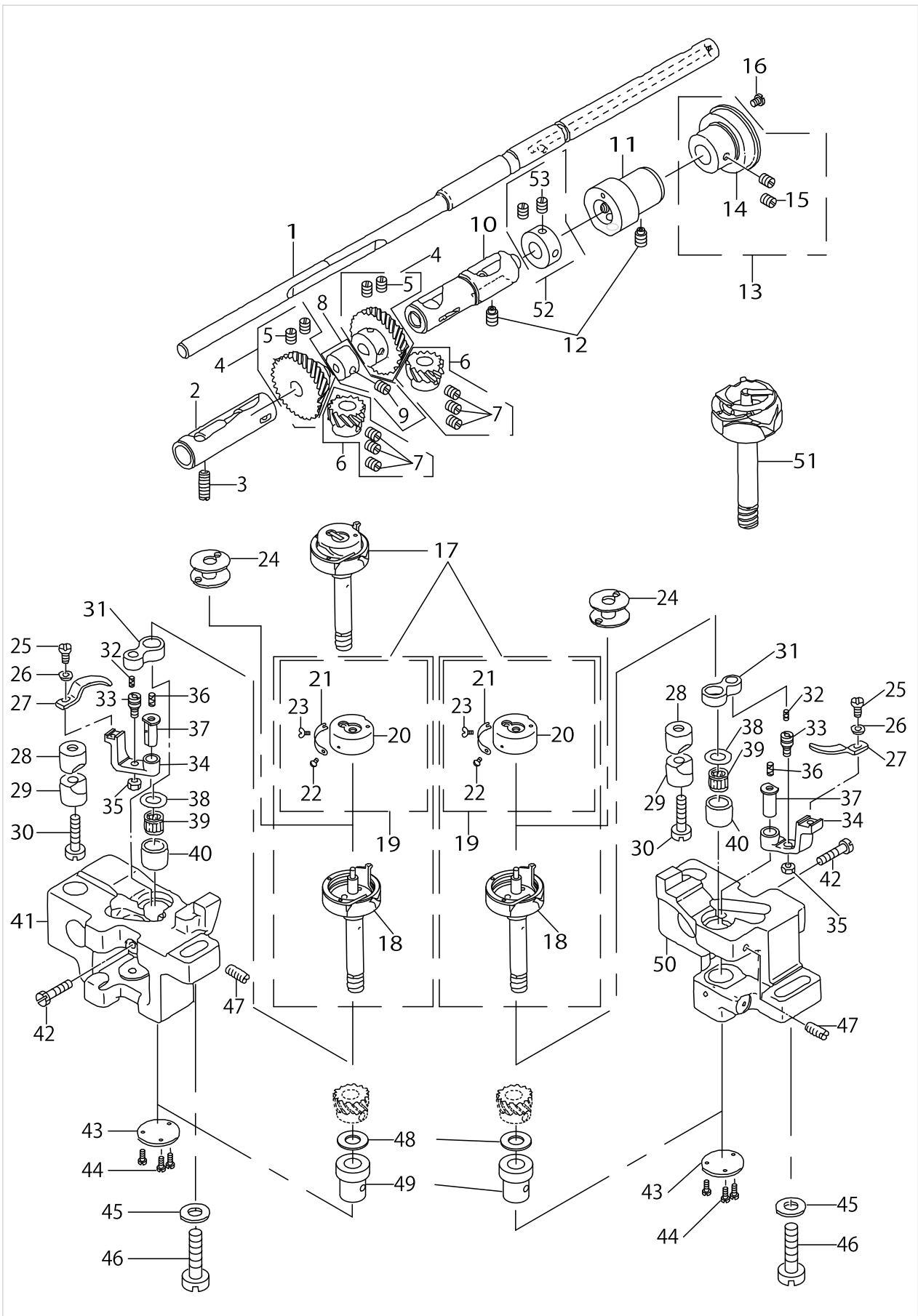


MAIN SHAFT, NEEDLE FEED & NEEDLE BAR COMPONENTS

No.	Supply Code	Parts No.	Replacement	Parts name	Remarks	Choice	Step	Level	Cons	Qty	Rep. QTY
43		MC200500900		NEEDLE 134 90	FOR JE					2	
44	D	10121069		NEEDLE BAR FRAME ASM.						1	
45	R	SS8110510SP	SS8110520TP	SCREW 11/64-40 L=5				*		1	1.00
46	D	10121309		NEEDLE BAR FRAME POSITIONING B						1	
47	R	SS7090910SP	SS7090910TP	SCREW 9/64-40 L=8.5						2	1.00
48		10121556		SLIDE BLOCK GUIDE ASM.						1	
49		SS6121610TP		SCREW 3/16-28 L=15.5				*		1	
50		B2913412N00		BEARING						1	
51		10121408		BUSHING						1	
52		B2915415000		FELT						1	
53		WP0250516SD		WASHER 2.5X6X0.5						1	
54		SS6060410TP		SCREW 3/32-56 L=3.5						1	
55		SS6090660TP		SCREW 9/64-40 L=6						2	
56	R	B1412352A00	B1412352B00	NEEDLE BAR LINK PIN, A	SELECTIVE PARTS	A				2	1.00
56	R	B1412352A00	B1412352C00	NEEDLE BAR LINK PIN, A	SELECTIVE PARTS	B				2	1.00
56	R	B1412352A00	B1412352D00	NEEDLE BAR LINK PIN, A	SELECTIVE PARTS	C				2	1.00
57		B2906415000		DRIVING LINK						1	
58		10121606		NEEDLE BAR FRAME ROCK SHAFT						1	
59		10122109		CONNECTING ROD						1	
60		CQ200000000		OIL WICK						.3	
61		10179208		CONNECTING PIN						1	
62		10106102		BUSHING						1	
63	R	SS8151150SP	SS8151150TP	SCREW 15/64-28 L=10.5						1	1.00
64		10121952		DRIVING ARM ASM.						1	
65		SS6121610TP		SCREW 3/16-28 L=15.5				*		1	
66		WP0740516SP		WASHER 7.4X11.8X0.5						1	
67		NS6680410SP		NUT 9/32-28						1	
68		SD0900701TP		HINGE SCREW D= 9 H= 7						1	
69		10122257		DRIVING ARM ASM.						1	
70		SS6121610TP		SCREW 3/16-28 L=15.5				*		1	
71		NS6680320SP		NUT 9/32-28						1	

A:公差 +0.-011~+0.006- /A:tolerance +0.011~+0.006  
 B:公差 +0.-006~+0.001- /B:tolerance +0.006~+0.001  
 C:公差 +0.-001~ -0.004- /C:tolerance +0.001~ -0.004

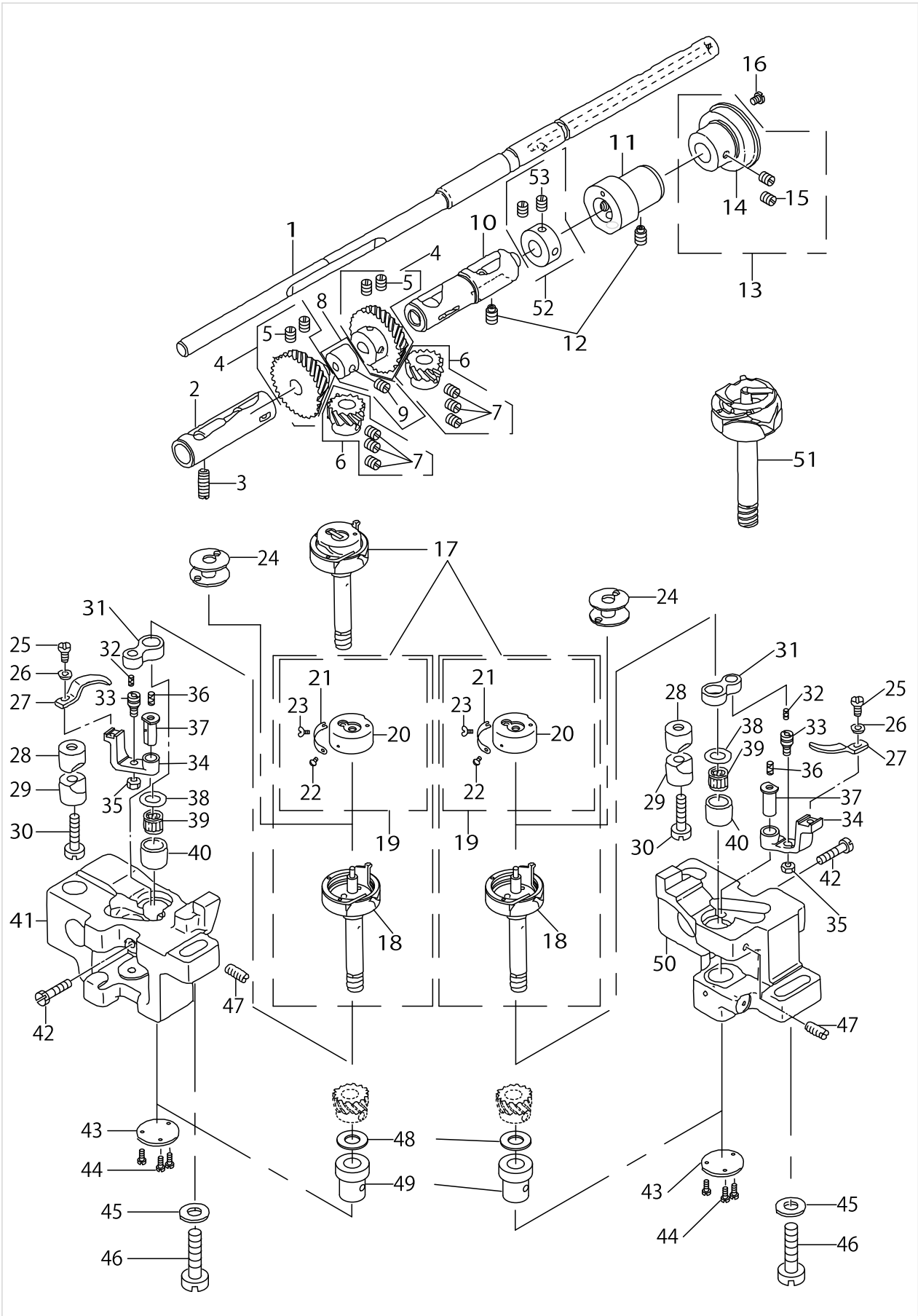
HOOK & HOOK DRIVING SHAFT COMPONENTS



HOOK & HOOK DRIVING SHAFT COMPONENTS

No.	Supply Code	Parts No.	Replacement	Parts name	Remarks	Choice	Step	Level	Cons	Qty	Rep. QTY
1		10108512		HOOK DRIVING SHAFT	EXCHANGING GAUGE PARTS SEE PAGE 21~25 FOR STITCH SPECIFICATION "A", "G" AND "S" AND PAGE 12 AND PAGE 26 FOR STITCH SPECIFICATION "F", RESPECTIVELY.					1	
2		B18025120A0A		BUSHING ASM., FRONT						1	
3		SS8152030SP		SCREW 15/64-28L=20						1	
4		B18165120A0		HOOK DRIVING SHAFT GEAR ASM.						2	
5		SS8660810TP		SCREW 1/4-40 L=8				*		4	
6		10112050		HOOK SHAFT GEAR ASM., A	SELECTIVE PARTS					2	
7		SS8660530TP		SCREW 1/4-40 L= 4.5				*		6	
8	D	B18405120A0		FEED DRIVING CAM ASM.						1	
9		SS8150510TP		SCREW 15/64-28 L= 4.7				*		1	
10		B18035150A0		BUSHING ASM., INTERMEDIATE	EXCHANGING GAUGE PARTS SEE PAGE 21~25 FOR STITCH SPECIFICATION "A", "G" AND "S" AND PAGE 12 AND PAGE 26 FOR STITCH SPECIFICATION "F", RESPECTIVELY.					1	
11		10108611		PLUNGER BUSHING						1	
12	R	SS8151150SP	SS8151150TP	SCREW 15/64-28 L=10.5						2	1.00
13		10108751		THRUST COLLAR ASM.						1	
14		SB120000200		BEARING 20X42				*		1	
15		SS8660610TP		SCREW 1/4-40 L=6				*		2	
16		SS6110610TP		SCREW 11/64-40 L=6						1	
17		10110153		HOOK ASM.						2	
18		10110104		HOOK ASM.				*		2	
19		10110252		BOBBIN CASE ASM.				*		2	
20		10110203		BOBBIN CASE				*		2	
21		10110401		BOBBIN CASE TENSION SPRING				*		2	
22		10110500		TENSION SPRING INSTALLING SCREW				*		2	
23		10110609		TENSION ADJUSTING SCREW				*		2	
24		B9117051000		BOBBIN						2	
25		SS6090810SP		SCREW 9/64-40 L= 7.5						2	
26		WP0371016SD		WASHER 3.7X8X1						2	
27	D	10111805		BOBBIN CASE OPENING LEVER						2	
28		10109908		SADDLE INSTALLING BLOCK, UPPER						2	

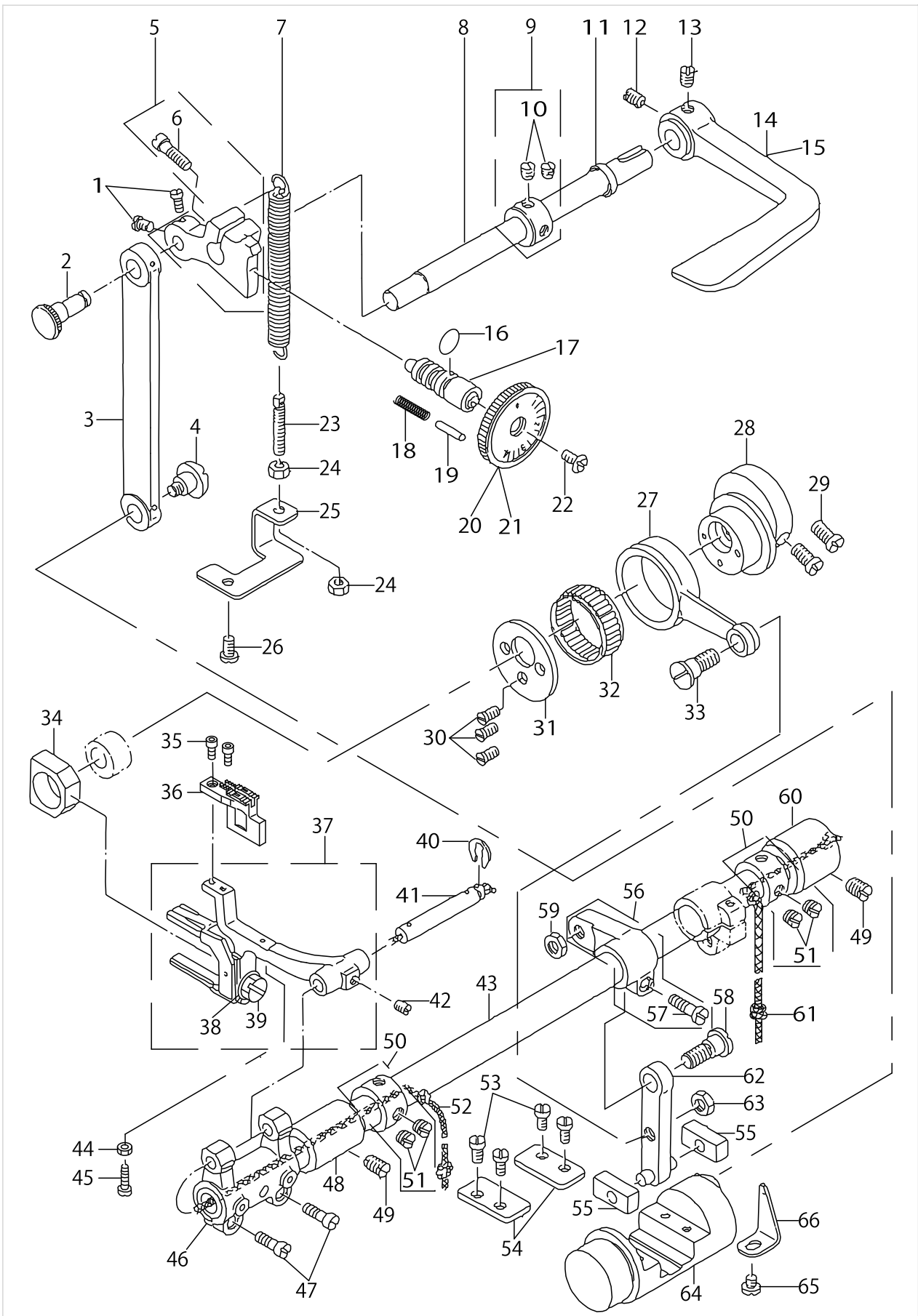
HOOK & HOOK DRIVING SHAFT COMPONENTS



HOOK & HOOK DRIVING SHAFT COMPONENTS

No.	Supply Code	Parts No.	Replacement	Parts name	Remarks	Choice	Step	Level	Cons	Qty	Rep. QTY
29		10112407		SADDLE INSTALLING BLOCK, LOWER						2	
30		SS6153040SP		SCREW15/64-28L=30						2	
31		B1820563000		BOBBIN CASE OPENING LEVER LINK						2	
32		CQ202000000		OIL WICK						.1	
33		B1821051000		CRANK SCREW STUD						2	
34		B1822051000		OPENING LEVER CRANK						2	
35		NS6110420SP		NUT 11/64-40						2	
36		CQ202000000		OIL WICK						.1	
37		B1823051000		OPENING LEVER CRANK PIN						2	
38		10109809		THRUST WASHER, B	SELECTIVE PARTS					2	
39		SB30953010C		NEEDLE BEARING 9.525X9.52	SELECTIVE PARTS					2	
40		10109205		BUSHING						2	
41	D	10109007		HOOK SHAFT SADDLE, LEFT						1	
42		SS9111820SP		SCREW11/64-40L=18						2	
43		B1860512000		HOOK SHAFT SADDLE COVER						2	
44		SS7060610SP		SCREW3/32-56 L= 5.5						6	
45		WP0850002SP		WASHER 8.5X18X1.6						2	
46		SM7082550SP		SCREW M8 L=25						2	
47		SS8151550SP		SCREW15/64-28L=15						2	
48		B1818051B00		THRUST WASHER, B						2	
49		10179307		BUSHING, LOWER						2	
50		10109106		HOOK SHAFT SADDLE, RIGHT						1	
51		10197655		LATCH HOOK ASM.	FOR JE					1	
52		CS1470710SH		THRUST COLLAR ASM. D=14.72 W=7						1	
53		SS8110410TP		SCREW 11/64-40 L= 3.5				*		2	

FEED MECHANISM COMPONENTS

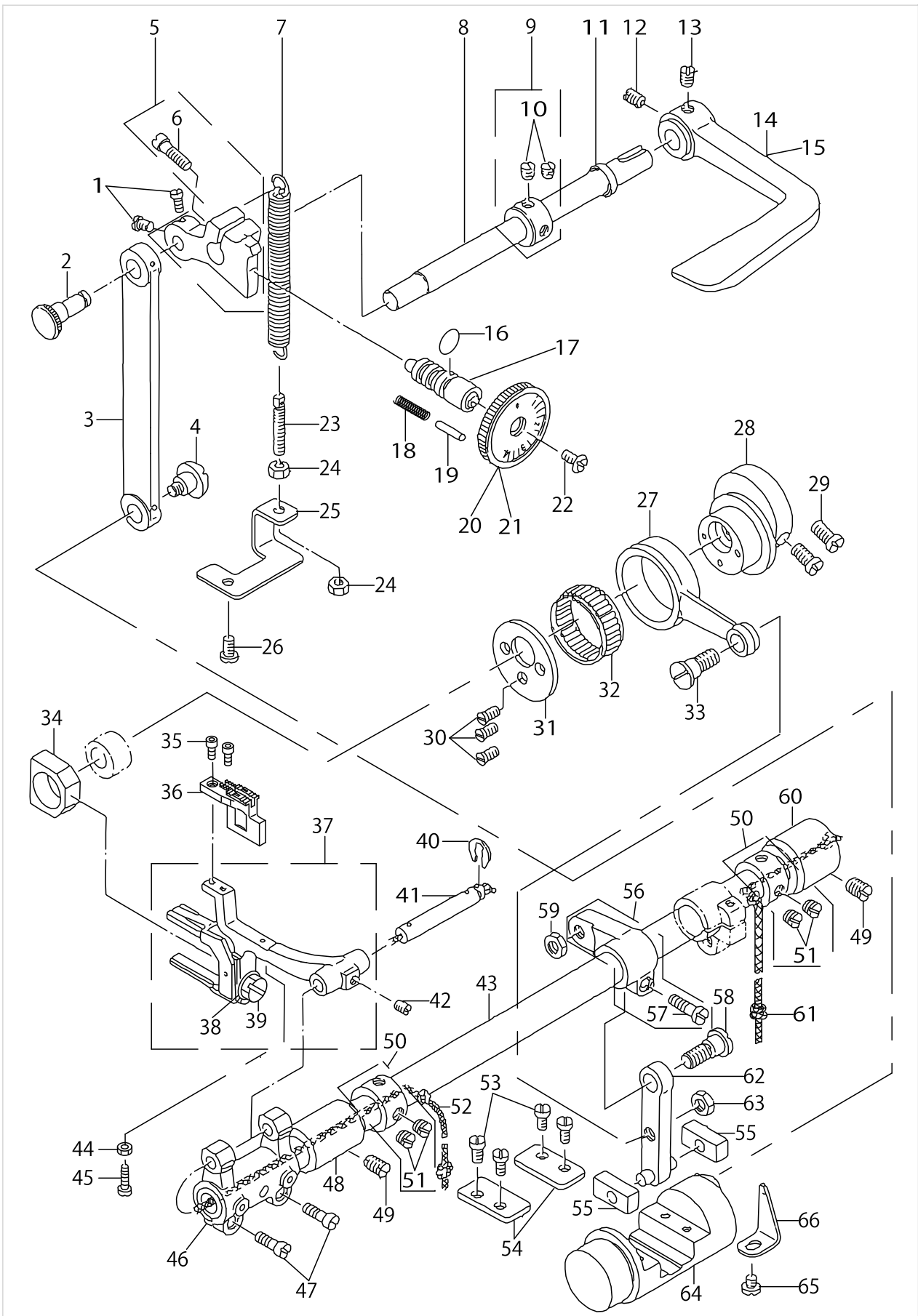


FEED MECHANISM COMPONENTS

No.	Supply Code	Parts No.	Replacement	Parts name	Remarks	Choice	Step	Level	Cons	Qty	Rep. QTY
1		SS6110710TP		SCREW 11/64-40 L= 6.5						2	
2		10107001		ROD PIN						1	
3	D	10106904		FEED REGULATOR CONNECTING ROD						1	
4	D	SD0900702TP		HINGESCREWD=9H=7						1	
5	D	10107159		FEED REGULATOR ASM.						1	
6		SS6121610TP		SCREW 3/16-28 L=15.5				*		1	
7		B1513280000		TENSION SPRING						1	
8		10107506		REVERSE FEED SHAFT						1	
9		CS102121ASH		THRUST COLLAR ASM. D=10.2 W=12						1	
10		SS8660610TP		SCREW 1/4-40 L=6				*		2	
11		10108009		OIL SEAL						1	
12		SS8660810TP		SCREW 1/4-40 L=8						1	
13		SS8661040TP		SCREW 1/4-40 L=10						1	
14	R	B1624380000	B162438000A	REVERSE FEED CONTROL LEVER						1	1.00
15		B162438000A		REVERSE FEED CONTROL LEVER	FOR URBAN WHITE SPECIFICATION PARTS					1	
16		RO074240100		RUBBER RING						1	
17		B1634470000		STITCH LENGTH REGULATING SCREW						1	
18		22912109		FEED REGULATOR PIN SPRING						1	
19		B1147555000		PIN						1	
20		B16234700A0		STITCH DIAL ASM.	REPLACE THIS PARTS FOR STITCH SPECIFICATION "G.(SEE PAGE 11)					1	
21		B16234700AA		STITCH DIAL ASM.	FOR URBAN WHITE SPECIFICATION PARTS					1	
22		SS6121050SP		SCREW 3/16-28 L=9.5						1	
23	R	B1649161000	26226506	TENSION SPRING ADJUSTING SCREW						1	1.00
24		NS6110420SP		NUT 11/64-40						2	
25		10107209		TENSION SPRING SUSPENSION BRAC						1	
26	R	SS7110910SP	SS7110910TP	SCREW 11/64-40 L=8.5						1	1.00
27	D	10106300		FEED ROCKER SHAFT CONNECTING R						1	
28	D	B1610484000		FEED DRIVE ECCENTRIC CAM						1	
29		SS6661110SP		SCREW 1/4-40 L=11						2	
30		SS2110930SP		SCREW 11/64-40 L=8.7						3	
31	D	B1637432000		THRUST COLLAR						1	
32		B1636581B00		NEEDLE BEARING B	SELECTIVE PARTS					1	
33		SD0900701TP		HINGE SCREW D= 9 H= 7						1	
34		B1610512000		FEED DRIVING SLIDE BLOCK						1	
35		SS6580752TP		SCREW 1/8-40 L=7						2	



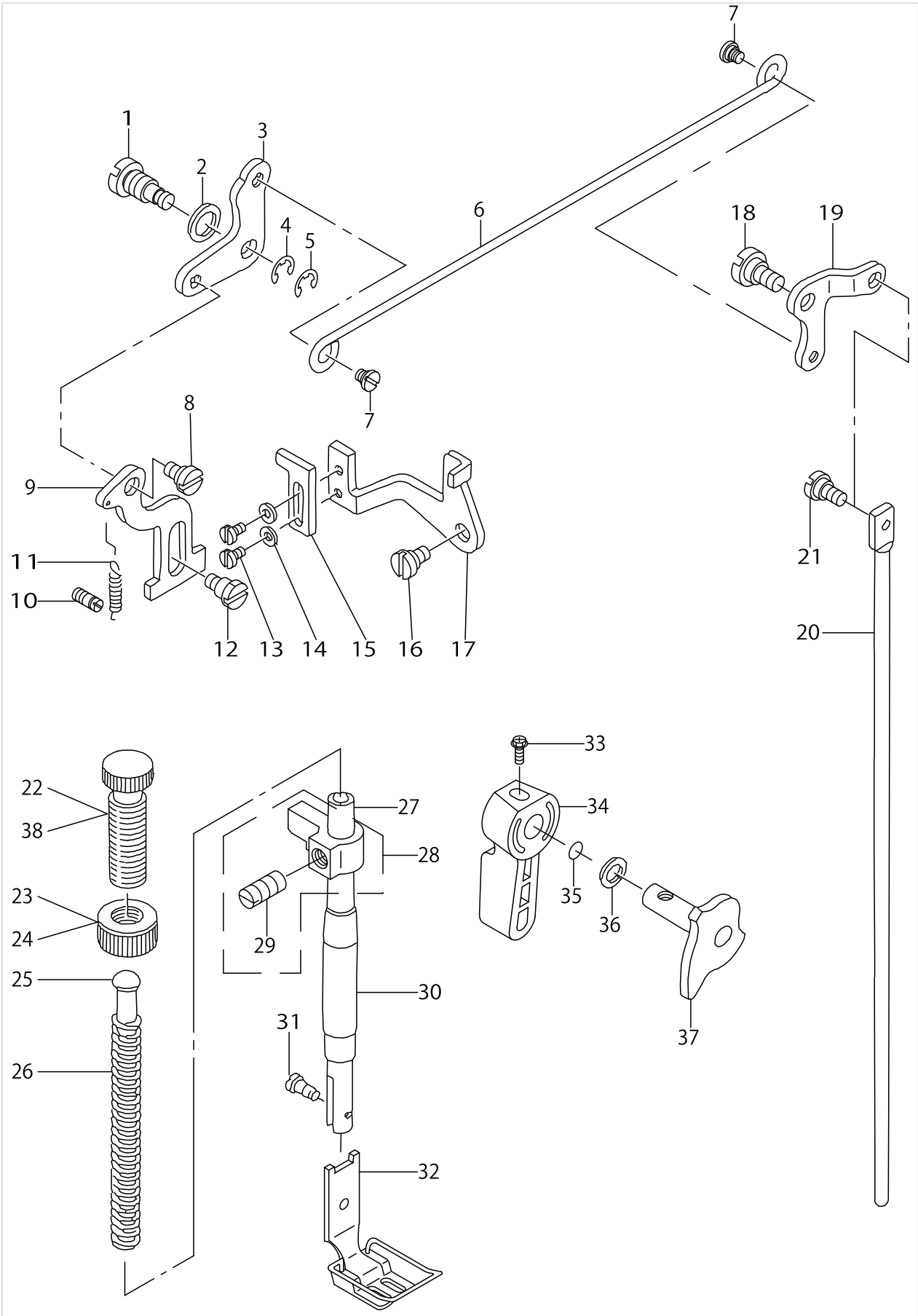
FEED MECHANISM COMPONENTS



FEED MECHANISM COMPONENTS

No.	Supply Code	Parts No.	Replacement	Parts name	Remarks	Choice	Step	Level	Cons	Qty	Rep. QTY	
36	D	B1613512D00		FEED DOG 3/16	EXCHANGING GAUGE PARTS SEE PAGE 21~25 FOR STITCH SPECIFICATIONS "A", "G" AND "S" AND PAGE 12 AND PAGE 26 FOR STITCH SPECIFICATION "F", RESPECTIVELY.					1		
37		10107753		FEED BAR ASM.							1	
38		WP0621016SD		WASHER 6.2X13X1					*		1	
39		SS9151440CP		SCREW 15/64-28L=14					*		1	
40		RE0500711KP		SNAP RING 5							1	
41		B1604012000A		FEED BAR SHAFT							1	
42		SM8050502TP		SCREW M5 L=5							1	
43		10106003		FEED ROCK SHAFT							1	
44		NS6080210SP		NUT 1/8-44							1	
45		SS6081810SP		SCREW 1/8-44 L=18.0							1	
46	R	B1603512000	21364104	FEED ROCKER							1	1.00
47		SS7111310TP		SCREW 11/64-40 L=12.8							2	
48		10106102		BUSHING							1	
49		SS8681130SP		SCREW 9/32-28 L=11							2	
50		22904155		MAIN SHAFT THRUST COLLAR ASM.							2	
51		SS8660610TP		SCREW 1/4-40 L=6					*		4	
52		CQ252000000		OIL WICK							.4	
53	R	SS7110910SP	SS7110910TP	SCREW 11/64-40 L=8.5							4	1.00
54	D	10106805		PLATE							2	
55		B1652470000		FEED DRIVING ROCKER BLOCK							2	
56		10106557		FEED ROCKER SHAFT CRANK ASM.							1	
57		SS6121610TP		SCREW 3/16-28 L=15.5					*		1	
58		SD0900701TP		HINGE SCREW D= 9 H= 7							1	
59		NS6680410SP		NUT 9/32-28							1	
60	D	10106201		BUSHING							1	
61		CQ303000000		OIL WICK							.3	
62		10106458		FEED ROCK CONNECTING ROD ASM.						1		
63		NS6680410SP		NUT 9/32-28						1		
64		10106656		FEED DRIVING ROCKER ASM.						1		
65		SS7110510SP		SCREW 11/64-40 L=5						1		
66		B1633470000		STOPPER PLATE						1		

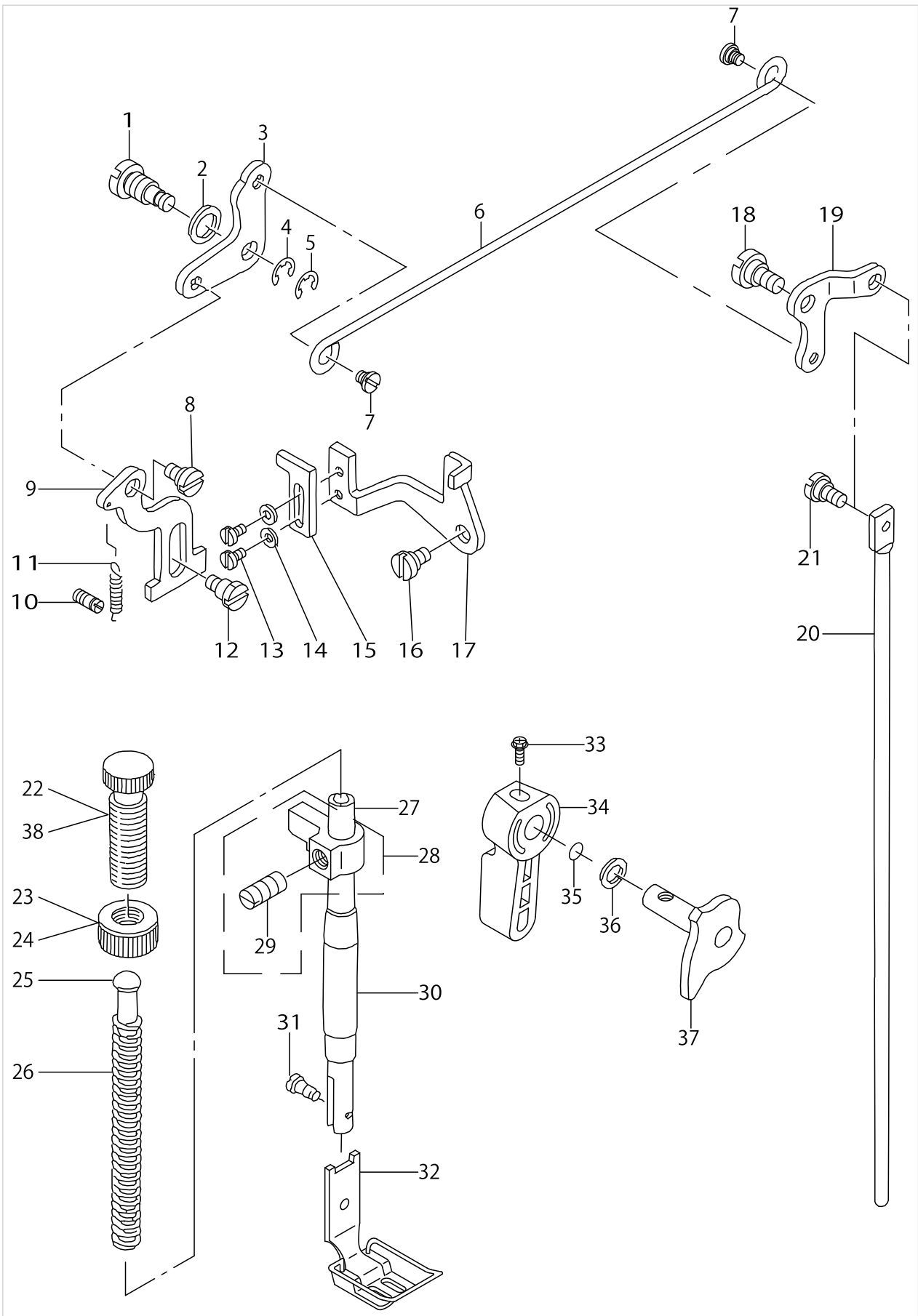
PRESSER BAR & TENSION RELEASE COMPONENTS(FOR LH-2178-7)



PRESSER BAR & TENSION RELEASE COMPONENTS(FOR LH-2178-7)

No.	Supply Code	Parts No.	Replacement	Parts name	Remarks	Choice	Step	Level	Cons	Qty	Rep. QTY
1		B1517415000		HINGE PIN						1	
2		B3431581000		LIFTING LEVER GASKET						1	
3		10105609		LIFTING LEVER LINK, LEFT						1	
4		RE0600000K0		E-RING 6						1	
5		B1523226000		SNAP RING						1	
6	D	10125003		LIFTING LEVER CONNECTING ROD						1	
7	R	11007101	22908909	HINGE SCREW						2	1.00
8		SD0630301SP		HINGE SCREW D=6.35 H=3						1	
9	D	B1515415000		LIFTING LEVER						1	
10		B1531415000		SUSPENSION						1	
11		B1522180000		SPRING						1	
12		SD0630275SP		HINGE SCREW D= 6.35 H= 2.7						1	
13		SS7080520SP		SCREW 1/8-44 L=4.9						2	
14		WP0330500MB		WASHER 3.3X6X0.5						2	
15		B3135415000		TENSION RELEASE LINK, B						1	
16		SD0640231SP		HINGE SCREW D= 6.35 H= 2.3						1	
17		10123305		TENSION RELEASE LINK, A						1	
18		SD0720331SP		HINGE SCREW D= 7.24 H= 3.3						1	
19	D	10125102		LIFTING LEVER LINK, RIGHT						1	
20		10125201		CONNECTING ROD, VERTICAL						1	
21		SD0600322SD		HINGE SCREW D=6 H=3.2						1	
22	R	B1509555000	40011951	PRESSER SPRING REGULATOR						1	1.00
23	R	B1511555000	40012052	NUT						1	1.00
24	R	11071701	22907554	NUT	FOR URBA- N WHITE S- PECIFICAT- ION PARTS					1	1.00
25		22907703		PRESSER GUIDE BAR						1	
26		22907406		PRESSER SPRING	REPLACE THIS PAR- TS FOR S- TITCH SPE- CIFICATION "F", (SEE PAGE 12)					1	
27		B1501581000		PRESSER BAR						1	
28		10178754		PRESSER BAR BUSHING LOWER						1	
29		SS8660610TP		SCREW 1/4-40 L=6				*		1	
30		22907109		PRESSER BAR BUSHING, LOWER						1	
31		SS7090910TP		SCREW 9/64-40 L=8.5						1	
32		10152759		PRESSER FOOT ASM. 3/16	EXCHANGI- NG GAUGE PARTS SEE PAGE 21 ~ - 25 FOR ST- ITCH SPE- CIFICATIO- NS "A", "G" AND "S" A- ND PAGE 12 AND PA- GE 26 FOR STITCH S- PECIFICATION "F",					1	
33		B1521555000		SCREW						1	
34	R	11071800	22907802	HAND LIFTER						1	1.00

PRESSER BAR & TENSION RELEASE COMPONENTS(FOR LH-2178-7)

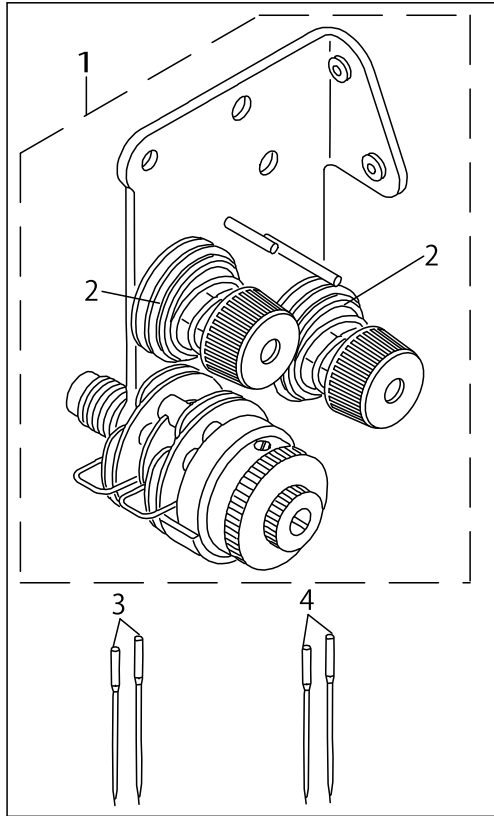


PRESSER BAR & TENSION RELEASE COMPONENTS(FOR LH-2178-7)

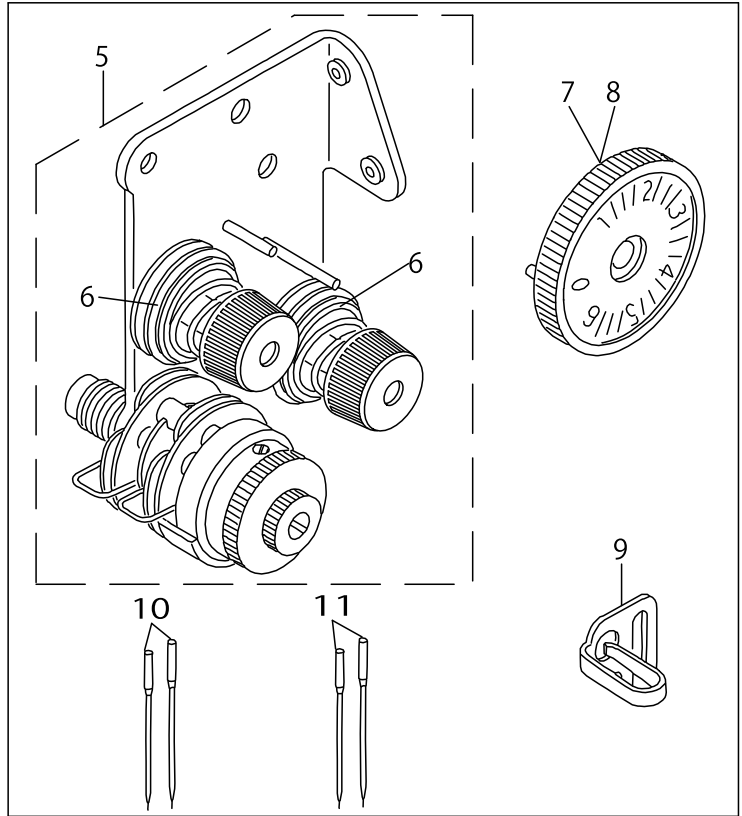
No.	Supply Code	Parts No.	Replacement	Parts name	Remarks	Choice	Step	Level	Cons	Qty	Rep. QTY
35		RO037180100		RUBBER RING						1	
36		WP0740516SP		WASHER 7.4X11.8X0.5						1	
37		10105575		HAND LIFTER CAM ASM.						1	
38	R	11071602	22907554	PRESSER SPRING REGULATOR	FOR URBAN WHITE SPECIFICATION PARTS					1	1.00

EXCLUSIVE PARTS BY STITCH SPECIFICATION (1)

(1) EXCLUSIVE PARTS FOR STITCH SPECIFICATION "A"  
縫仕様"A"専用部品



(2) EXCLUSIVE PARTS FOR STITCH SPECIFICATION "G"  
縫仕様"G"専用部品



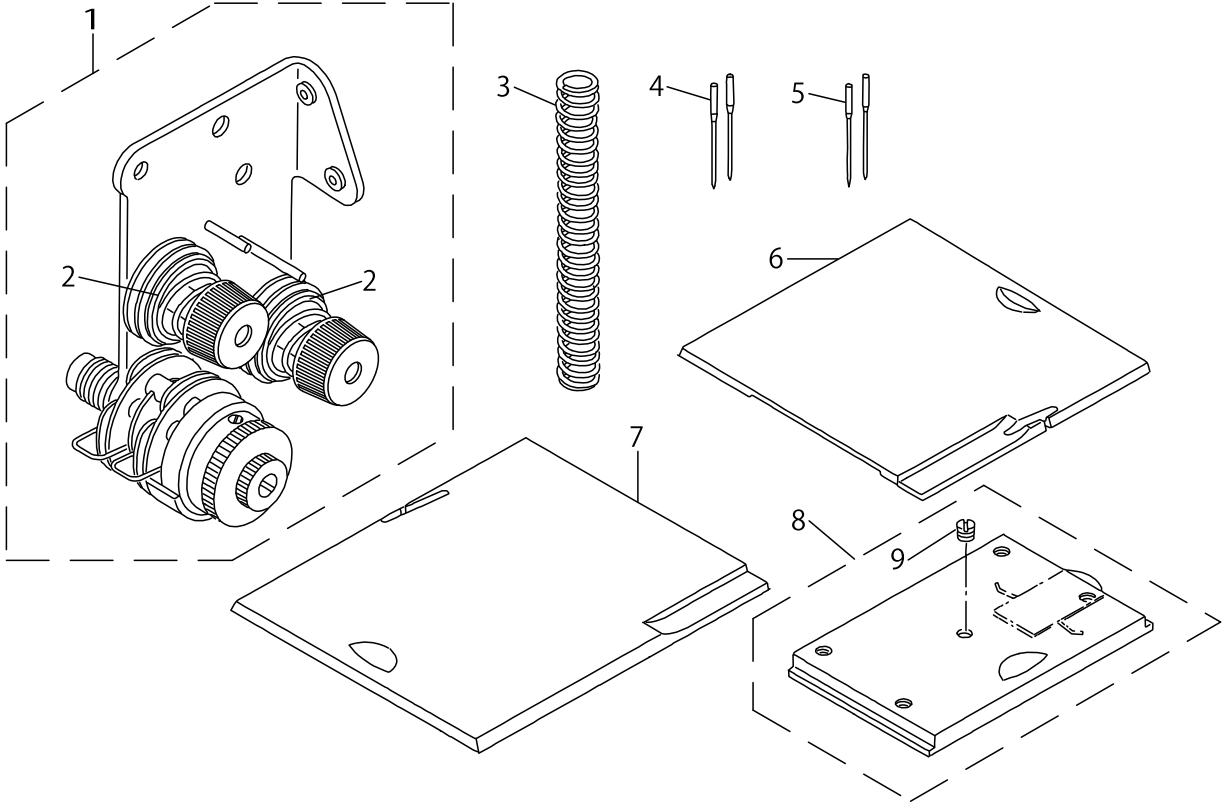
EXCLUSIVE PARTS BY STITCH SPECIFICATION (1)

No.	Supply Code	Parts No.	Replacement	Parts name	Remarks	Choice	Step	Level	Cons	Qty	Rep. QTY
1		10124758		TENSION POST BASE ASM.						1	
2		D3129555D00		THREAD TENSION SPRING				*		2	
3	D	MSG19060900		NEEDLE SGX1906 #9	EXCEPT JE					2	
4		MC200500650		NEEDLE 134 NM65	FOR JE					2	
5		10124774		TENSION POST BASE ASM.						1	
6		B3129526000		TENSIONSPRING(1.2)				*		2	
7		10107357		STITCH DIAL ASM.						1	
8		10161156		STITCH DIAL ASM.	FOR URBA- N WHITE S- PECIFICAT- ION PARTS					1	
9	D	10188001		THREAD GUIDE, B						1	
10		MDP500B2100		NEEDLE DPX5 #21	EXCEPT JE					2	
11		MC200501300		NEEDLE 134 NM130	FOR JE					2	



EXCLUSIVE PARTS BY STITCH SPECIFICATION (2)

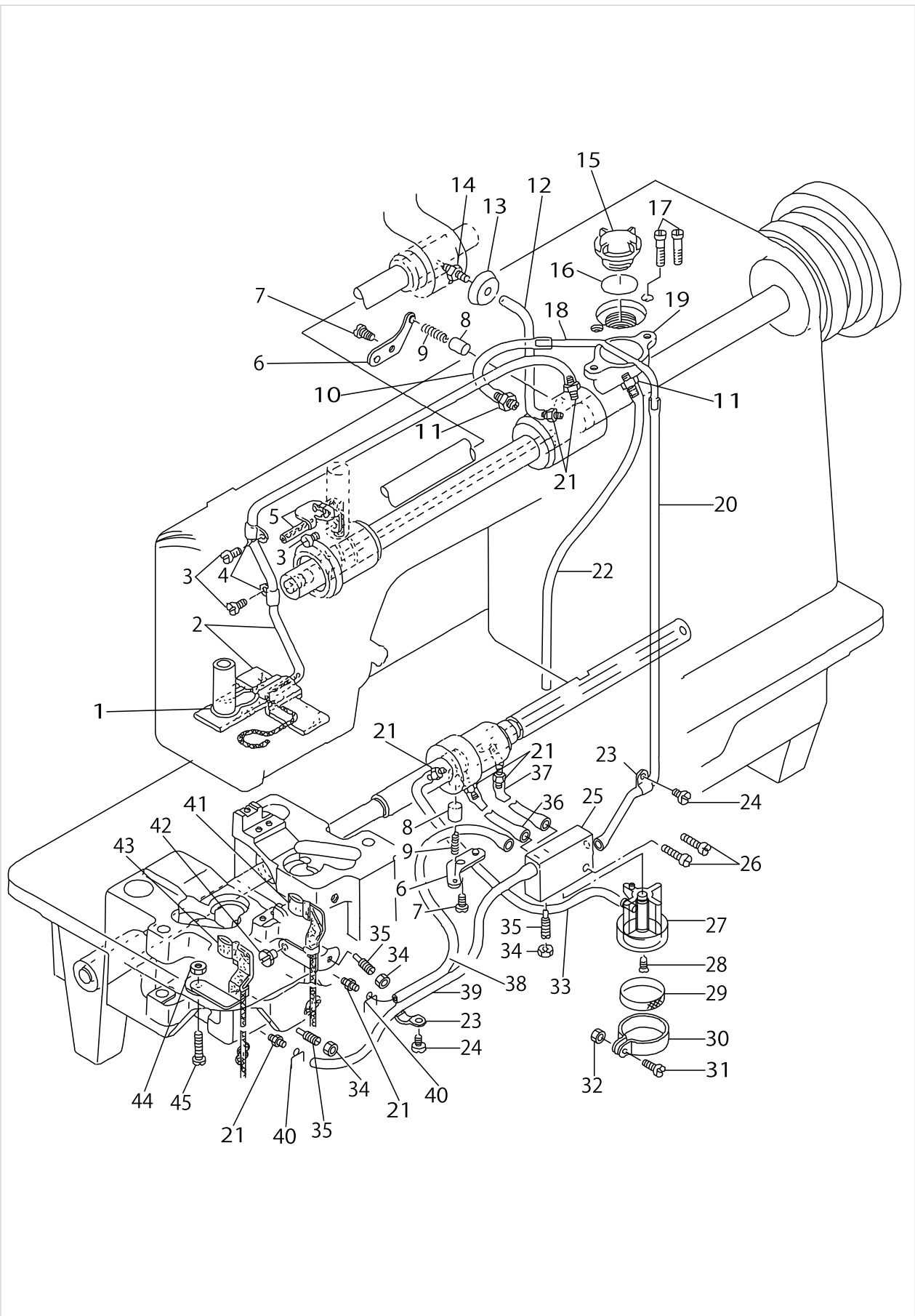
(3) EXCLUSIVE PARTS FOR STITCH SPECIFICATION "F"  
縫仕様" F "専用部品



EXCLUSIVE PARTS BY STITCH SPECIFICATION (2)

No.	Supply Code	Parts No.	Replacement	Parts name	Remarks	Choice	Step	Level	Cons	Qty	Rep. QTY
1		10124758		TENSION POST BASE ASM.						1	
2		D3129555D00		THREAD TENSION SPRING				*		2	
3		B1505227T00A		PRESSER SPRING T						1	
4	D	MSG19650900		NEEDLE SGX1965 #9	EXCEPT JE					2	
5		MC200500650		NEEDLE 134 NM65	FOR JE					2	
6		10185205		BED SLIDE, RIGHT	FOR A,B T- YPES FOR TAPE ATT- ACHING WI- TH STITCH SPECIFICA- TION"F", (- ONLY S T- YPE IS CO- MMON TO STITCH S- PECIFICAT- ION"S". S- EE PAGE 25)					1	
7		10185106		BED SLIDE, LEFT	FOR A,B T- YPES FOR TAPE ATT- ACHING WI- TH STITCH SPECIFICA- TION"F", (- ONLY S T- YPE IS CO- MMON TO STITCH S- PECIFICAT- ION"S". S- EE PAGE 25)					1	
8		10185056		BED SLIDE ASM.	FOR A,B T- YPES FOR TAPE ATT- ACHING WI- TH STITCH SPECIFICA- TION"F", (- ONLY S T- YPE IS CO- MMON TO STITCH S- PECIFICAT- ION"S". S- EE PAGE 25)					1	
9		SS8110320SP		SCREW 11/64-40 L= 3.2	FOR A,B T- YPES FOR TAPE ATT- ACHING WI- TH STITCH SPECIFICA- TION"F", (- ONLY S T- YPE IS CO- MMON TO STITCH S- PECIFICAT- ION"S". S- EE PAGE 25)			*		1	

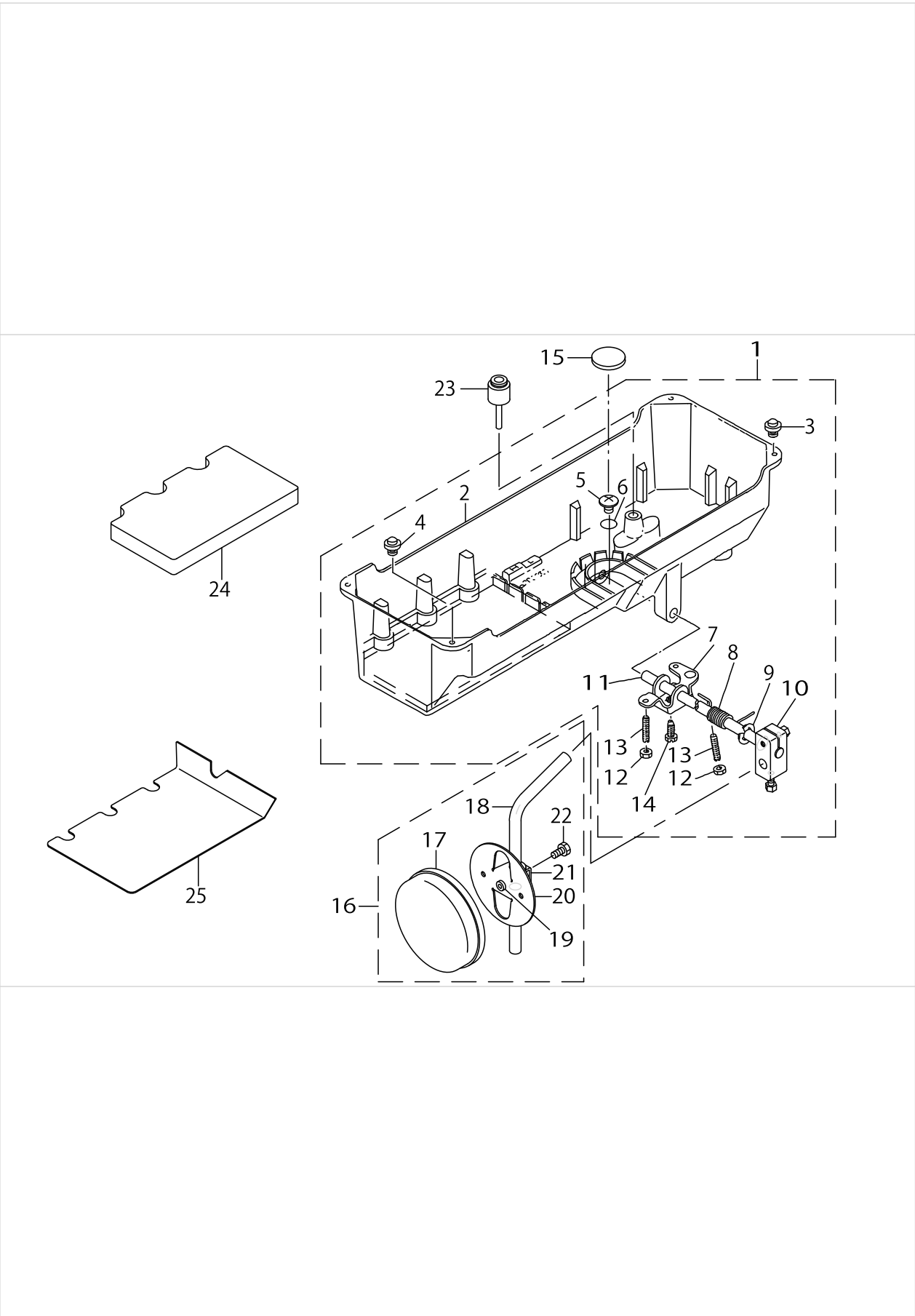
LUBRICATION COMPONENTS



LUBRICATION COMPONENTS

No.	Supply Code	Parts No.	Replacement	Parts name	Remarks	Choice	Step	Level	Cons	Qty	Rep. QTY
1		22925101		OIL FELT PRESSER						1	
2		10125755		OIL RETURN FELT ASM.						1	
3		SS7110710SP		SCREW 11/64-40 L=7						3	
4		B3538112000		OIL RETURN TUBE HOLDER						2	
5		10125557		OIL WICK HOLDER ASM.						1	
6		B3524552000		PLUNGER THRUST PLATE						2	
7		SS7110710SP		SCREW 11/64-40 L=7						2	
8		B3534155000		PLUNGER						2	
9		B1214038000		PLUNGER SPRING						2	
10		BP300000000		VINYL PIPE						.1	
11		SQ1150451MZ		CONNECTING SCREW						2	
12		BP300000000		VINYL PIPE						.1	
13	D	10127009		CONNECTING SCREW CAP						1	
14		10126902		OIL PIPE CONNECTING SCREW						1	
15	R	B3530555000	22924708	OIL SIGHT WINDOW						1	1.00
16		RO195240100		RUBBER RING						1	
17	R	SS7111810SP	SS7111810TP	SCREW 11/64-40 L=18						2	1.00
18		10126001		OIL TUBE						1	
19	R	10125904	26304600	OIL TANK						1	1.00
20		BP300000000		VINYL PIPE						.4	
21		SQ1110401MZ		CONNECTING SCREW						7	
22		BP300000000		VINYL PIPE						.3	
23		B3538112000		OIL RETURN TUBE HOLDER						2	
24		SS7110710SP		SCREW 11/64-40 L=7						2	
25		10623403		BASE						1	
26		SS6111610SP		SCREW 11/64-40 L=16						2	
27	D	22619001		SUCTION						1	
28		SS2110930SP		SCREW 11/64-40 L=8.7						1	
29		B1851512000		FILTER SCREEN						1	
30	R	B1850512000	40009379	BUSHING HOLDER						1	1.00
31	R	SS7090910SP	SS7090910TP	SCREW 9/64-40 L=8.5						1	1.00
32		NS6090310SP		NUT 9/64-40						1	
33		BP300000000		VINYL PIPE						.2	
34		NS6110420SP		NUT 11/64-40						3	
35		B1834512000A		OIL ADJUSTING SCREW						3	
36		BP300000000		VINYL PIPE						.1	
37		BP300000000		VINYL PIPE						.1	
38		BP300000000		VINYL PIPE						.3	
39		BP300000000		VINYL PIPE						.3	
40		10126803		OIL TUBE HOLDER						2	
41	D	10126654		OIL WICK HOLDER ASM. RIGHT						1	
42		SS7110340SP		SCREW 11/64-40 L= 3.2						1	
43	D	10126555		OIL WICK HOLDER ASM. LEFT						1	
44		NS6110310SP		NUT 11/64-40						1	
45	R	SS7111410SP	SS7111410TP	SCREW 11/64-40 L=14						1	1.00

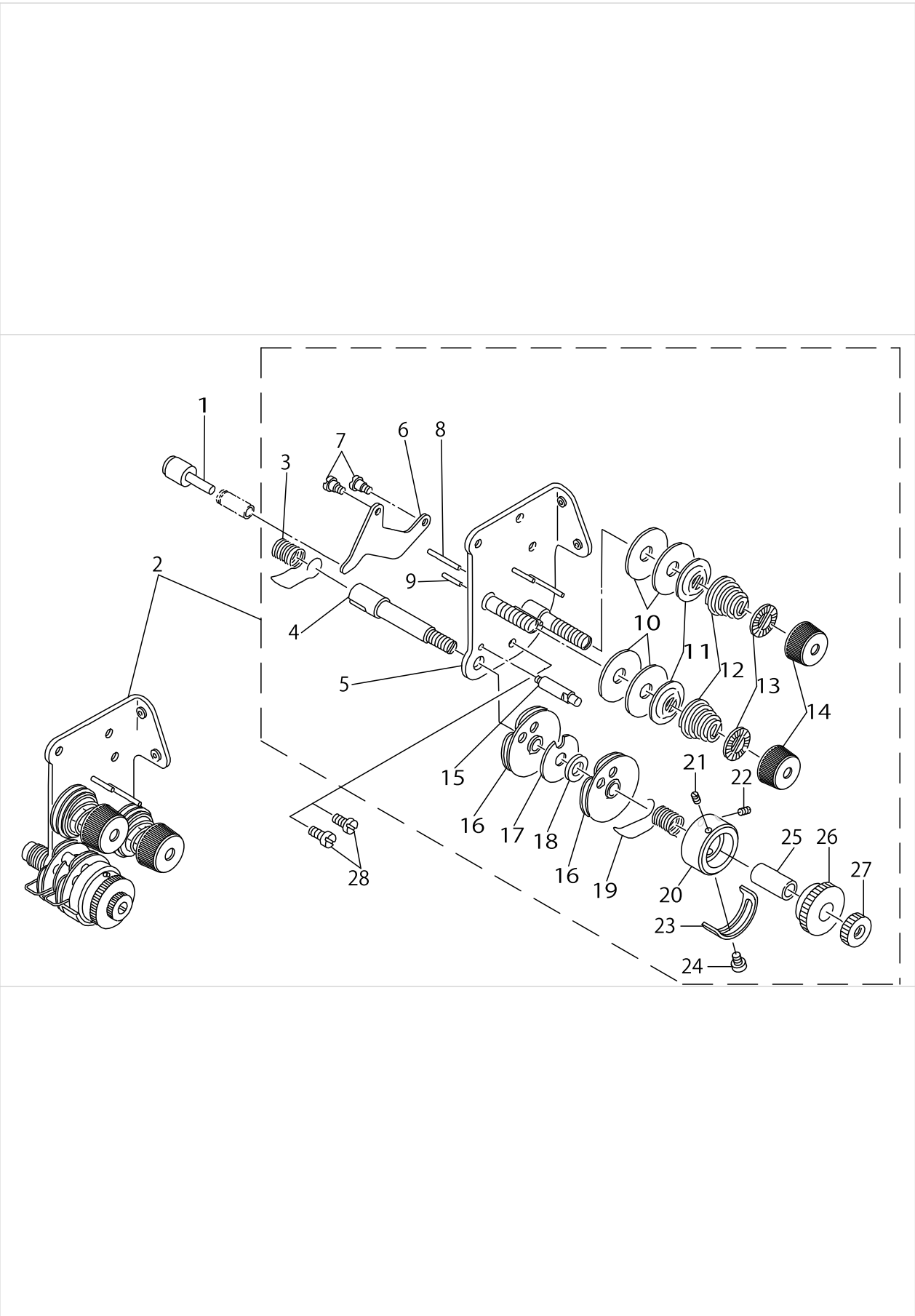
OIL RESERVOIR & KNEE LIFTER COMPONENTS



OIL RESERVOIR & KNEE LIFTER COMPONENTS

No.	Supply Code	Parts No.	Replacement	Parts name	Remarks	Choice	Step	Level	Cons	Qty	Rep. QTY
1		10162253		OIL RESERVOIR ASM.						1	
2	R	10162204	10162253	OIL RESERVOIR				*		1	1.00
3		10162600		RUBBER CUSHION				*		2	
4		11047107		RUBBER CUSHION				*		2	
5		SM0081001SD		SCREW				*		1	
6		RO098240100		RUBBER RING				*		1	
7	R	11024015	22932156	CONNECTING ROT, VERTICAL				*		1	1.00
8	R	11024106	22932206	SPRING				*		1	1.00
9		RE1000000K0		E-RING 10				*		1	
10		22932453		BRACKET ASM.				*		1	
11	R	11024205	22932305	KNEE PRESS ROD				*		1	1.00
12		NM6060001SE		NUT M6				*		2	
13		SM8063012TR		SCREW M6 L=30				*		2	
14		SM9061853SR		SCREW M6 L=17.5				*		1	
15		B8228125000		OIL RESERVOIR MAGNET						1	
16		22934251		KNEE PAD PLATE ASM.						1	
17		22934509		KNEE PAD PLATE COVER				*		1	
18		22934608		KNEE PAD UPRIGHT SHAFT				*		1	
19		22934400		KNEE PAD PLATE RUBBER				*		1	
20		22934202		KNEE PAD PLATE				*		1	
21		22934301		KNEE PAD PLATE SUPPORT				*		1	
22		SM9061203SE		SCREW M6 L=12				*		1	
23	R	11024304	22931703	KNEE PRESS LIFTER ROD						1	1.00
24		10162501		OIL RESERVOIR SPACER, A						1	
25		10162402		DUST COVER	FOR JE					1	

# THREAD TENSION CONTROLLER COMPONENTS

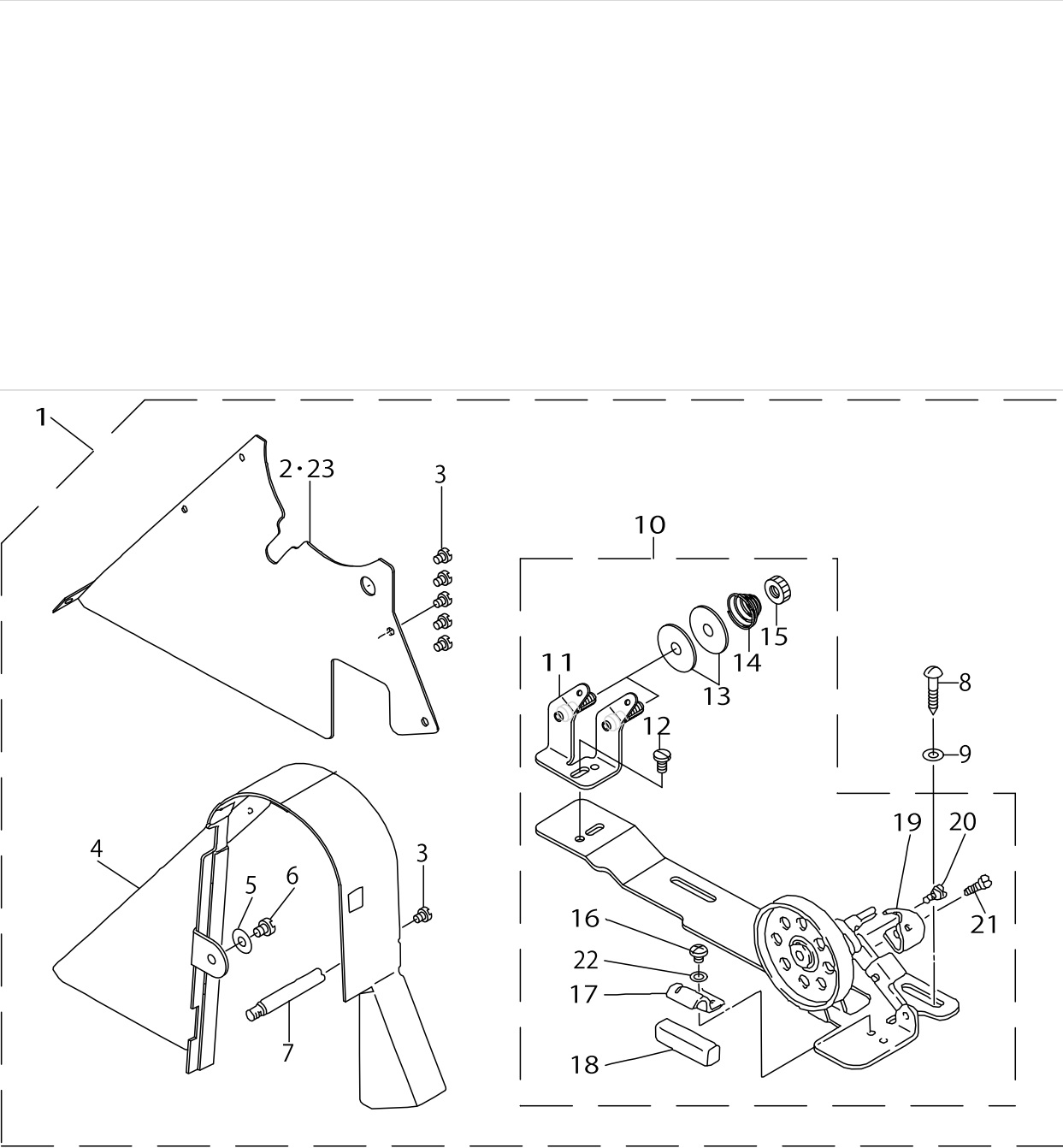


THREAD TENSION CONTROLLER COMPONENTS

No.	Supply Code	Parts No.	Replacement	Parts name	Remarks	Choice	Step	Level	Cons	Qty	Rep. QTY
1		10123453		KNEE PRESS LIFTER ROD ASM.						1	
2		10124766		TENSION POST BASE ASM.	EXCHANGING BY STITCH SPECIFICATION. SEE PAGE 11 FOR STITCH SPECIFICATIONS "A" AND "G" AND PAGE 12 FOR STITCH SPECIFICATION "F", - RESPECTIVELY.			*		1	
3		B3128051000		THREAD TAKE-UP SPRING, A				*		1	
4		10124501		THREAD TAKE-UP SPRING STUD				*		1	
5		10124055		TENSION POST ASM.				*		1	
6		B3134521000		TENSION RELEASE LEVER				*		1	
7		SD0470281SP		HINGE SCREW D=4.7 H=2.8				*		2	
8		B3127527000		PIN B				*		1	
9		B3127051000		TENSION RELEASE PIN, SHORT				*		1	
10		B3126051000		TENSION DISC				*		4	
11		B3132051000		TENSION DISC HOLDER				*		2	
12		B3129012A00		TENSION SPRING	EXCHANGING BY STITCH SPECIFICATION. SEE PAGE 11 FOR STITCH SPECIFICATIONS "A" AND "G" AND PAGE 12 FOR STITCH SPECIFICATION "F", - RESPECTIVELY.			*		2	
13		B3120125000		ROTATING STOPPER				*		2	
14		11072204		TENSION NUT				*		2	
15		B3143527000		TAKE-UP SPRING GUIDE STUD				*		1	
16		B31375270A0		TAKE-UP SPRING GUIDE ASM.				*		2	
17		B3142527000		TAKE-UP SPRING GUIDE PLATE				*		1	
18		B3139527000		COLLAR				*		1	
19		B3128527000		THREAD TAKE-UP SPRING B				*		1	
20		22617609		THREAD TENSION POST				*		1	
21	R	22618904	SM8030500SP	SET SCREW				*		1	1.00
22	R	22618904	SM8030500SP	SET SCREW				*		1	1.00
23		B3138527000		ADJUSTING PLATE B				*		1	
24	R	SS7090520SP	SS7090520TP	SCREW 9/64-40 L=4.5				*		1	1.00
25		B3141527000		PRESSER COLLAR				*		1	
26		B3125527000		TAKE-UP SPRING GUIDE				*		1	
27	R	B3125012000	22928808	THREAD TENSION NUT				*		1	1.00
28		SS7110710SP		SCREW 11/64-40 L=7				*		2	



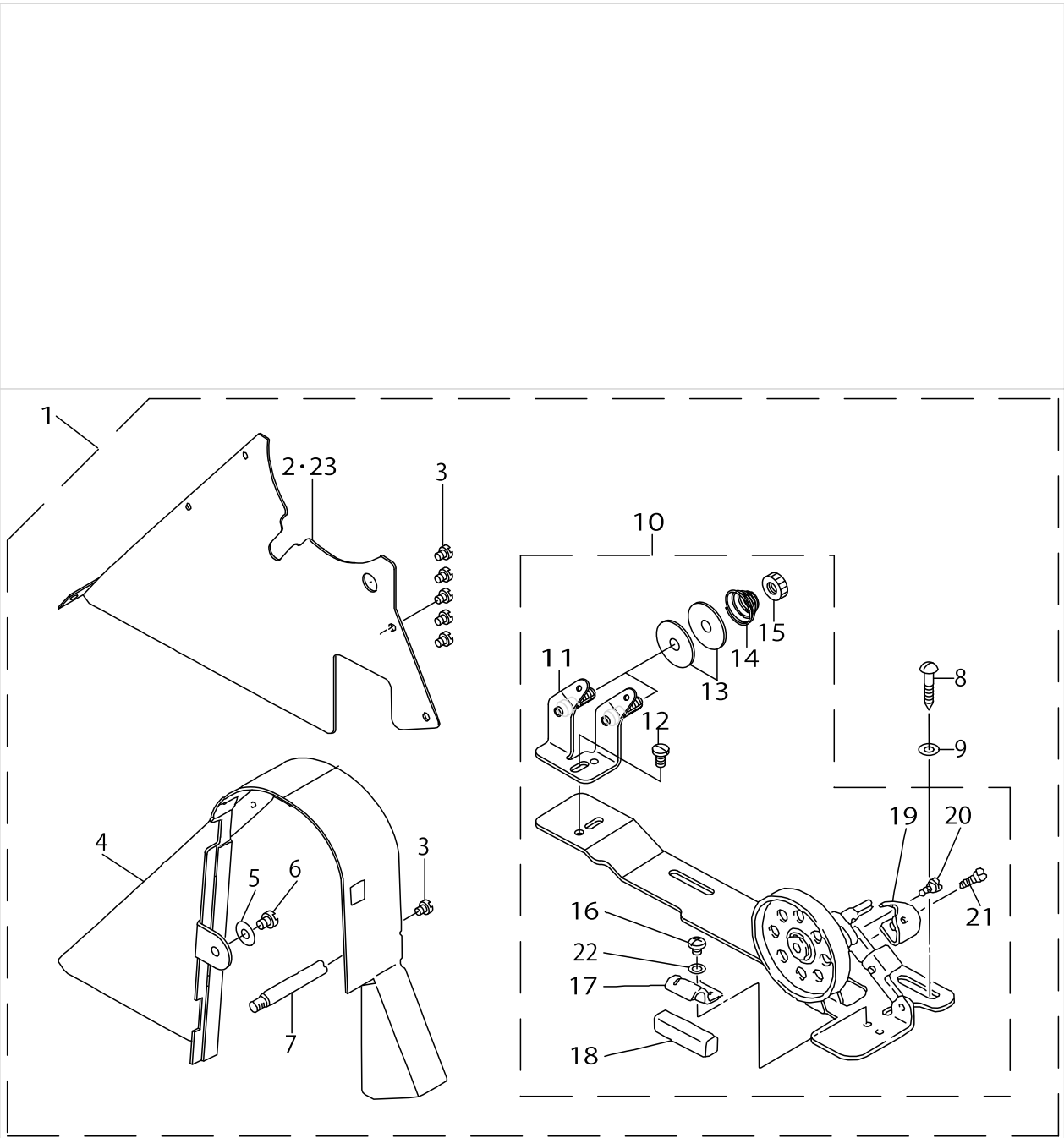
BELT COVER & BOBBIN WINDER COMPONENTS



BELT COVER & BOBBIN WINDER COMPONENTS

No.	Supply Code	Parts No.	Replacement	Parts name	Remarks	Choice	Step	Level	Cons	Qty	Rep. QTY
1	R	10128056	10161552	BELT COVER ASM.						1	1.00
2		10161552		BELT COVER ASM.	FOR URBAN WHITE SPECIFICATION PARTS					1	
3	R	10128106	10218006	BELT COVER PLATE				*		1	1.00
4		10419307		BELT COVER PLATE	FOR URBAN WHITE SPECIFICATION PARTS			*		1	
5		SS7110510SP		SCREW 11/64-40 L=5				*		6	
6		10128007		BELT COVER				*		1	
7		10958759		BELT COVER	FOR URBAN WHITE SPECIFICATION PARTS			*		1	
8		WP0621016SD		WASHER 6.2X13X1				*		1	
9		SS7150740SP		SCREW 15/64-28 L=7				*		1	
10	R	10039105	40101337	BELT COVER SUPPORT STUD				*		1	1.00
11	R	SK3482500SC	SK3482501SE	WOOD SCREW D=4.8 L=25				*		2	1.00
12		WP0501016SC		WASHER 5X10.5X1				*		2	
13	R	11077567	22927354	BOBBIN WINDER COMPL.				*		1	1.00
14		11078250		THREAD TENSION BRACKET ASM.				*		1	
15		SS7110840SP		SCREW 11/64-40 L=7.8				*		1	
16	R	B3126012000	22921506	THREAD TENSION DISK				*		2	1.00
17	R	B3129012B00	22929004	THREAD TENSION SPRING				*		1	1.00
18	R	B3125012000	22928808	THREAD TENSION NUT				*		1	1.00
19		SS4110515SP		SCREW 11/64-40 L=5				*		1	
20		11078102		PRESSER PLATE				*		1	
21		B3211555000		RUBBER BRAKE				*		1	
22		11078003		POSITIONING FINGER				*		1	
23		SD0490261SP		HINGE SCREW D=4.9 H=2.6				*		1	
24		SS7081310SP		SCREW 1/8-44 L=12.5				*		1	
25		WP0480856SP		WASHER 4.8X8.4X0.8				*		1	

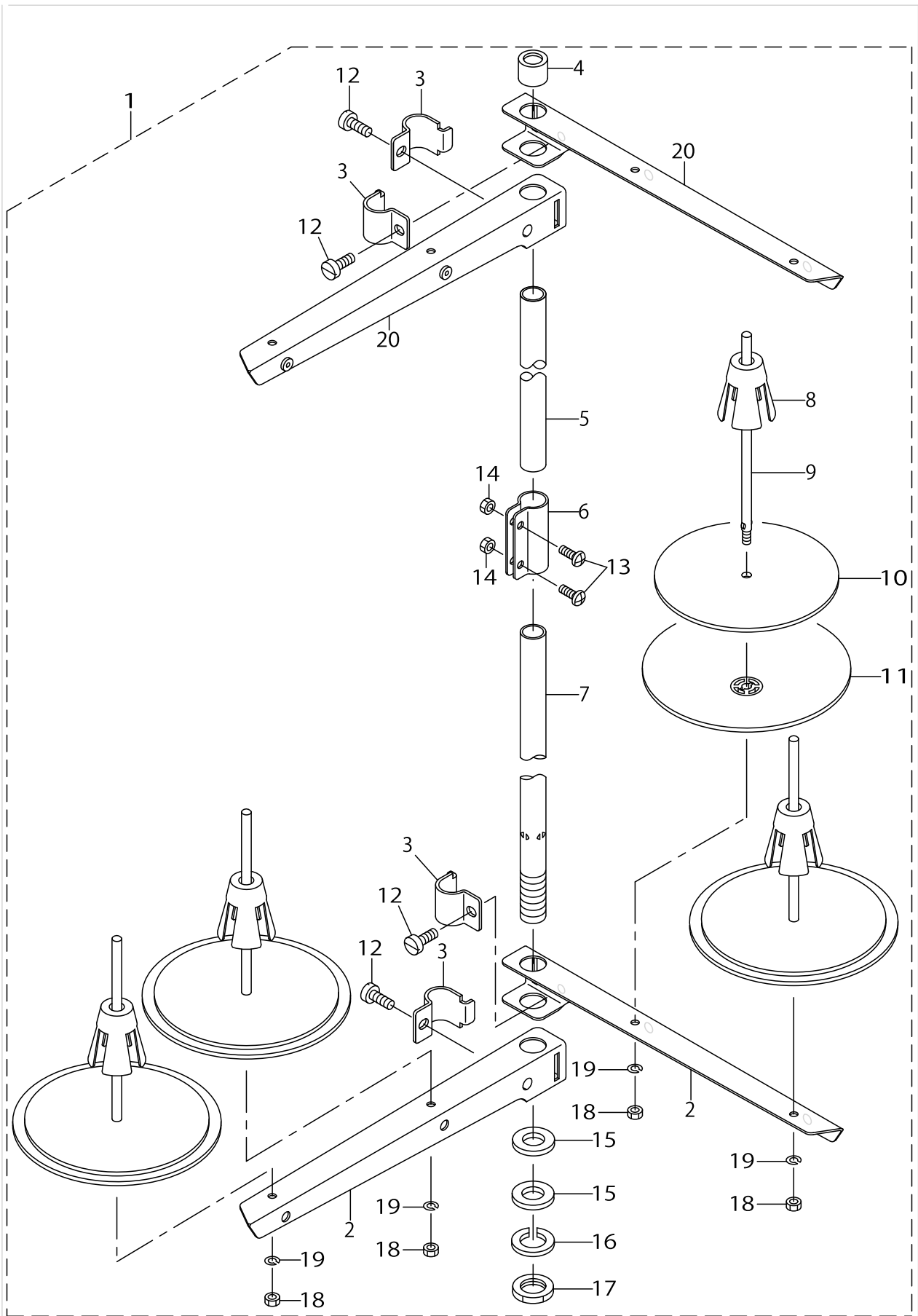
BELT COVER & BOBBIN WINDER COMPONENTS (SPECIAL PARTS)



BELT COVER & BOBBIN WINDER COMPONENTS (SPECIAL PARTS)

No.	Supply Code	Parts No.	Replacement	Parts name	Remarks	Choice	Step	Level	Cons	Qty	Rep. QTY
1		10128064		BELT COVER ASM.						1	
2	R	10128106	10218006	BELT COVER PLATE				*		1	1.00
3		SS7110510SP		SCREW 11/64-40 L=5				*		6	
4		10128007		BELT COVER				*		1	
5		WP0621016SD		WASHER 6.2X13X1				*		1	
6		SS71150740SP		SCREW 15/64-28 L=7				*		1	
7	R	10039105	40101337	BELT COVER SUPPORT STUD				*		1	1.00
8	R	SK3482500SC	SK3482501SE	WOOD SCREW D=4.8 L=25				*		2	1.00
9		WP0501016SC		WASHER 5X10.5X1				*		2	
10		22621155		THREAD WINDER ASM.				*		1	
11		22621056		TENSION BAR BASE				*		1	
12		SS7110840SP		SCREW 11/64-40 L=7.8				*		1	
13	R	B3126012000	22921506	THREAD TENSION DISK				*		4	1.00
14	R	B3129012B00	22929004	THREAD TENSION SPRING				*		2	1.00
15	R	B3125012000	22928808	THREAD TENSION NUT				*		2	1.00
16		SS4110515SP		SCREW 11/64-40 L=5				*		1	
17		11078102		PRESSER PLATE				*		1	
18		B3211555000		RUBBER BRAKE				*		1	
19		22621106		BOBBIN PRESSER				*		1	
20		SD0490261SP		HINGE SCREW D=4.9 H=2.6				*		1	
21		SS7081310SP		SCREW 1/8-44 L=12.5				*		1	
22		WP0480856SP		WASHER 4.8X8.4X0.8				*		1	
23		10419307		BELT COVER PLATE	FOR URBAN WHITE SPECIFICATION PARTS			*		1	

# THREAD STAND COMPONENTS



THREAD STAND COMPONENTS

No.	Supply Code	Parts No.	Replacement	Parts name	Remarks	Choice	Step	Level	Cons	Qty	Rep. QTY
1		26910158		THREAD STANDING DEVICE ASM.						1	
2	R	22930507	40096354	SPOOL REST ARM				*		2	1.00
3	R	22930705	40096354	THREAD GUIDE ARM JOINT				*		4	1.00
4		22931406		SPOOL REST ROD RUBBER CAP				*		1	
5	R	22930408	40096354	SPOOL REST ROD, UPPER				*		1	1.00
6	R	22931307	40096354	SPOOL REST ROD JOINT				*		1	1.00
7	R	22930309	40096354	SPOOL REST ROD, LOWER				*		1	1.00
8	R	22931109	40085791	SPOOL RETAINER				*		4	1.00
9	R	22931000	40085790	SPOOL PIN				*		4	1.00
10		22930903		SPOOL REST CUSHION				*		4	
11		22930804		SPOOL REST				*		4	
12		SM6061610SC		SCREW M6 L=16				*		4	
13		SM4051405SE		SCREW M5 L=14				*		2	
14		NM6050001SE		NUT M5				*		2	
15		WP1612616SE		WASHER 16X30X2.6				*		2	
16	R	WS1643202KR	WP1612616SE	SPRING WASHER		A		*		1	2.00
16	R	WS1643202KR	40085796	SPRING WASHER		A		*		1	2.00
17		NM6160511SE		NUT M16X1.5				*		1	
18		NM6050001SE		NUT M5				*		4	
19		WS0510002KN		SPRING WASHER				*		4	
20	R	22930556	40096354	THREAD STANDING ARM ASM.				*		2	1.00

FOR STITCH SPECIFICATION "S", "A", "G" (1)

Stitch spec. 縫仕様		S			★		☆		☆		
		A	★		☆		★		☆		
		G									
Needle gauge size 針 幅		Presser Foot asm. 押 え (組)									
Code ゲージ 記号											
	inch	mm	Ref.No.	Part No.	Ref.No.	Part No.	Ref.No.	Part No.	Ref.No.	Part No.	
▲◆	A	$\frac{3}{32}$	2.4	<b>1</b>	101-50050						
◆	B	$\frac{1}{8}$	3.2	2	101-50159		*				
◆	C	$\frac{5}{32}$	4.0	3	101-50258	20	101-52650		*		
	D	$\frac{3}{16}$	4.8	4	101-50357	21	101-52759	37	101-56651	*	
	E	$\frac{7}{32}$	5.6	5	101-50456	22	101-52858		*		
	F	$\frac{1}{4}$	6.4	6	101-50555	23	101-52957	38	101-56552	50 101-55059	
	G	$\frac{9}{32}$	7.1	7	101-50654	24	101-53054		*	*	
	H	$\frac{5}{16}$	7.9	8	101-50753	25	101-53153	39	101-56750	51 101-55158	
	K	$\frac{3}{8}$	9.5	9	101-50852	26	101-53252	40	101-56859		
	W	$\frac{7}{16}$	11.1	<b>10</b>	101-50951	27	101-53351		*		
	L	$\frac{1}{2}$	12.7	<b>11</b>	101-51058	28	101-53450	41	101-56958		
	M	$\frac{5}{8}$	15.9	12	101-51157	29	101-53559	42	101-57055		
	N	$\frac{3}{4}$	19.1	13	101-51256	30	101-53658	43	101-57154		
	P	$\frac{7}{8}$	22.2	14	101-51355	31	101-53757	44	101-57253		
	Q	1	25.4	15	101-51454	32	101-53856	45	101-57352	*	
	R	$1\frac{1}{8}$	28.6	16	101-51553	33	101-53955	46	101-57451		
	S	$1\frac{1}{4}$	31.8	17	101-51652	34	101-54052	47	101-57550		
	T	$1\frac{3}{8}$	34.9	18	101-51751	35	101-54151	48	101-57659		
	U	$1\frac{1}{2}$	38.1	19	101-51750	36	101-54150	49	101-57658		

- |   |                                 |             |
|---|---------------------------------|-------------|
| ★ | Standard specification          | 標準仕様        |
| ☆ | Special specification           | 特別仕様        |
| * | Special order part              | 特別注文部品      |
| ◆ | Except stitch specification "G" | 縫仕様 "G" は除く |
| ▲ | Except stitch specification "S" | 縫仕様 "S" は除く |

See also p.11 for stitch specifications "A", "G"  
縫仕様 "A", "G" については11ページも併せてご参照ください。

FOR STITCH SPECIFICATION "S","A","G" (1)

No.	Supply Code	Parts No.	Replacement	Parts name	Remarks	Choice	Step	Level	Cons	Qty	Rep. QTY
1		10150050		PRESSER FOOT ASM. 3/32						1	
2		10150159		PRESSER FOOT ASM. 1/8						1	
3		10150258		PRESSER FOOT ASM. 5/32						1	
4		10150357		PRESSER FOOT ASM. 3/16						1	
5		10150456		PRESSER FOOT ASM. 7/32						1	
6		10150555		PRESSER FOOT ASM. 1/4						1	
7		10150654		PRESSER FOOT ASM. 9/32						1	
8	D	10150753		PRESSER FOOT ASM. 5/16						1	
9		10150852		PRESSER FOOT ASM. 3/8						1	
10		10150951		PRESSER FOOT ASM. 7/16						1	
11		10151058		PRESSER FOOT ASM. 1/2						1	
12		10151157		PRESSER FOOT ASM. 5/8						1	
13		10151256		PRESSER FOOT ASM. 3/4						1	
14		10151355		PRESSER FOOT ASM. 7/8						1	
15		10151454		PRESSER FOOT ASM. 1						1	
16		10151553		PRESSER FOOT ASM. 1-1/8						1	
17	D	10151652		PRESSER FOOT ASM. 1-1/4						1	
18		10151751		PRESSER FOOT ASM. 1-3/8						1	
19		10151750		PRESSER FOOT ASM. 1-1/2						1	
20		10152650		PRESSER FOOT ASM. 5/32						1	
21		10152759		PRESSER FOOT ASM. 3/16						1	
22		10152858		PRESSER FOOT ASM. 7/32						1	
23		10152957		PRESSER FOOT ASM. 1/4						1	
24		10153054		PRESSER FOOT ASM. 9/32						1	
25		10153153		PRESSER FOOT ASM. 5/16						1	
26		10153252		PRESSER FOOT ASM. 3/8						1	
27		10153351		PRESSER FOOT ASM. 7/16						1	
28		10153450		PRESSER FOOT ASM. 1/2						1	
29		10153559		PRESSER FOOT ASM. 5/8						1	
30		10153658		PRESSER FOOT ASM. 3/4						1	
31		10153757		PRESSER FOOT ASM. 7/8						1	
32		10153856		PRESSER FOOT ASM. 1						1	
33		10153955		PRESSER FOOT ASM. 1-1/8						1	
34		10154052		PRESSER FOOT ASM. 1-1/4						1	
35		10154151		PRESSER FOOT ASM. 1-3/8						1	
36		10154150		PRESSER FOOT ASM. 1-1/2						1	
37		10156651		PRESSER FOOT ASM. 3/16						1	
38	D	10156552		PRESSER FOOT ASM. 1/4						1	
39		10156750		PRESSER FOOT ASM. 5/16						1	
40		10156859		PRESSER FOOT ASM. 3/8						1	
41		10156958		PRESSER FOOT ASM. 1/2						1	
42	D	10157055		PRESSER FOOT ASM. 5/8						1	
43		10157154		PRESSER FOOT ASM. 3/4						1	
44		10157253		PRESSER FOOT ASM. 7/8						1	
45		10157352		PRESSER FOOT ASM. 1						1	
46		10157451		PRESSER FOOT ASM. 1-1/8						1	



FOR STITCH SPECIFICATION "S","A","G" (1)

Stitch spec. 縫仕様	S		★		☆		☆		☆	
	A	G	★	☆	★	☆	★	☆	★	☆
Needle gauge size 針幅	Presser Foot asm. 押え(組)									
Code ゲージ 記号										
	inch	mm	Ref.No.	Part No.	Ref.No.	Part No.	Ref.No.	Part No.	Ref.No.	Part No.
▲◆	A 3/32	2.4	1	101-50050						
◆	B 1/8	3.2	2	101-50159		*				
◆	C 5/32	4.0	3	101-50258	20	101-52650		*		*
	D 3/16	4.8	4	101-50357	21	101-52759	37	101-56651		*
	E 7/32	5.6	5	101-50456	22	101-52858		*		
	F 1/4	6.4	6	101-50555	23	101-52957	38	101-56552	50	101-55059
	G 9/32	7.1	7	101-50654	24	101-53054		*		*
	H 5/16	7.9	8	101-50753	25	101-53153	39	101-56750	51	101-55158
	K 3/8	9.5	9	101-50852	26	101-53252	40	101-56859		
	W 7/16	11.1	10	101-50951	27	101-53351		*		
	L 1/2	12.7	11	101-51058	28	101-53450	41	101-56958		
	M 5/8	15.9	12	101-51157	29	101-53559	42	101-57055		
	N 3/4	19.1	13	101-51256	30	101-53658	43	101-57154		
	P 7/8	22.2	14	101-51355	31	101-53757	44	101-57253		*
	Q 1	25.4	15	101-51454	32	101-53856	45	101-57352		
	R 1-1/8	28.6	16	101-51553	33	101-53955	46	101-57451		
	S 1-1/4	31.8	17	101-51652	34	101-54052	47	101-57550		
	T 1-3/8	34.9	18	101-51751	35	101-54151	48	101-57659		
	U 1-1/2	38.1	19	101-51750	36	101-54150	49	101-57658		

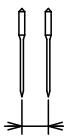
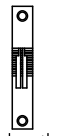
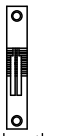

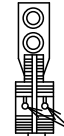

- ★ … Standard specification
  - ☆ … Special specification
  - \* … Special order part
  - ◆ … Except stitch specification "G"
  - ▲ … Except stitch specification "S"
- 標準仕様  
特別仕様  
特別注文部品  
縫仕様"G"は除く  
縫仕様"S"は除く

See also p.11 for stitch specifications "A","G"  
縫仕様"A","G"については11ページも併せてご参照ください。

FOR STITCH SPECIFICATION "S","A","G" (1)

No.	Supply Code	Parts No.	Replacement	Parts name	Remarks	Choice	Step	Level	Cons	Qty	Rep. QTY
47		10157550		PRESSER FOOT ASM. 1-1/4						1	
48		10157659		PRESSER FOOT ASM. 1-3/8						1	
49		10157658		PRESSER FOOT ASM. 1-1/2						1	
50		10155059		SWIVELGUIDE PRESSER FOOT, 1/4						1	
51		10155158		PRESSER FOOT ASM. 5/16						1	

FOR STITCH SPECIFICATION "S","A","G" (2)

Stitch spec. 縫仕様	S	★				★		☆				
	A	★			★							
	G		★					★				
Needle gauge size 針幅	Throat plate 針板				Feed Dog 送り歯							
Code ゲージ号			 Stitch length 縫ピッチ: 4 mm		 Stitch length 縫ピッチ: 6 mm		 φ1.6		 φ1.9		 φ2.2	
	inch	mm	Ref.No.	Part No.	Ref.No.	Part No.	Ref.No.	Part No.	Ref.No.	Part No.	Ref.No.	Part No.
▲◆ A	3/32	2.4	1	101-35002			33	101-72500				
◆ B	1/8	3.2	2	101-35101			34	B1613-512-BOB (φ1.4)		*		
◆ C	5/32	4.0	3	101-35200			35	101-72708	52	102-69209	69	102-69308
D	3/16	4.8	4	101-35309	20	101-37503	36	101-72807	53	B1613-512-D00	70	B1613-512-D0H
E	7/32	5.6	5	101-35408		*	37	101-72906	54	B1613-512-E00	71	B1613-512-E0H
F	1/4	6.4	6	101-35507	21	101-37602	38	101-73003	55	B1613-512-F00	72	B1613-512-F0H
G	9/32	7.1	7	101-35606		*	39	101-73102	56	B1613-512-G00	73	B1613-512-G0H
H	5/16	7.9	8	101-35705	22	101-37701	40	101-73201	57	B1613-512-H00	74	B1613-512-H0H
K	3/8	9.5	9	101-35804	23	101-37800	41	101-73300	58	B1613-512-K00	75	B1613-512-K0H
W	7/16	11.1	10	101-35903		*	42	101-73409	59	B1613-512-W00		*
L	1/2	12.7	11	101-36000	24	101-37909	43	101-73508	60	B1613-512-L00	76	B1613-512-L0H
M	5/8	15.9	12	101-36109	25	101-38006	44	101-73607	61	B1613-512-M00	77	B1613-512-M0H
N	3/4	19.1	13	101-36208	26	101-38105	45	101-73706	62	B1613-512-N00	78	B1613-512-N0H
P	7/8	22.2	14	101-36307	27	101-38204	46	101-73805	63	B1613-512-P00	79	B1613-512-P0H
Q	1	25.4	15	101-36406	28	101-38303	47	101-73904	64	B1613-512-Q00	80	B1613-512-Q0H
R	1-1/8	28.6	16	101-36505	29	101-38402	48	101-74001	65	B1613-512-R00	81	B1613-512-R0H
S	1-1/4	31.8	17	101-36604	30	101-38501	49	101-74100	66	B1613-512-S00	82	B1613-512-S0H
T	1-3/8	34.9	18	101-36703	31	101-38600	50	101-74209	67	B1613-512-T00	83	B1613-512-T0H
U	1-1/2	38.1	19	101-36802	32	101-38709	51	101-74308	68	B1613-512-U00	84	B1613-512-U0H

- ★ ... Standard specification
- ☆ ... Special specification
- \* ... Special order part
- ◆ ... Except stitch specification "G"
- ▲ ... Except stitch specification "S"

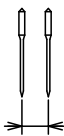
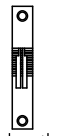
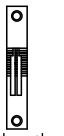

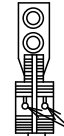

- 標準仕様
- 特別仕様
- 特別注文部品
- 縫仕様 "G" は除く
- 縫仕様 "S" は除く

See also p.11 for stitch specifications "A", "G"  
縫仕様 "A", "G" については11ページも併せてご参照ください。

FOR STITCH SPECIFICATION "S","A","G" (2)

No.	Supply Code	Parts No.	Replacement	Parts name	Remarks	Choice	Step	Level	Cons	Qty	Rep. QTY
1		10135002		THROAT PLATE 3/32						1	
2	D	10135101		THROAT PLATE 1/8						1	
3		10135200		THROAT PLATE 5/32						1	
4	D	10135309		THROAT PLATE 3/16						1	
5	D	10135408		THROAT PLATE 7/32						1	
6	D	10135507		THROAT PLATE 1/4						1	
7		10135606		THROAT PLATE 9/32						1	
8	D	10135705		THROAT PLATE 5/16						1	
9		10135804		THROAT PLATE 3/8						1	
10		10135903		THROAT PLATE 7/16						1	
11	D	10136000		THROAT PLATE 1/2						1	
12		10136109		THROAT PLATE 5/8						1	
13		10136208		THROAT PLATE 3/4						1	
14		10136307		THROAT PLATE 7/8						1	
15		10136406		THROAT PLATE 1						1	
16		10136505		THROATPLATE1-1/8						1	
17		10136604		THROATPLATE1-1/4						1	
18		10136703		THROATPLATE1-3/8						1	
19		10136802		THROATPLATE1-1/2						1	
20		10137503		THROAT PLATE 3/16						1	
21		10137602		THROAT PLATE 1/4						1	
22		10137701		THROAT PLATE 5/16						1	
23		10137800		THROAT PLATE 3/8						1	
24		10137909		THROAT PLATE 1/2						1	
25	D	10138006		THROAT PLATE 5/8						1	
26		10138105		THROAT PLATE 3/4						1	
27	D	10138204		THROAT PLATE 7/8						1	
28		10138303		THROAT PLATE 1						1	
29		10138402		THROATPLATE1-1/8						1	
30		10138501		THROATPLATE1-1/4						1	
31		10138600		THROATPLATE1-3/8						1	
32	D	10138709		THROATPLATE1-1/2						1	
33		10172500		FEED DOG 3/32						1	
34		B1613512B0B		FEED DOG 1/8						1	
35	D	10172708		FEED DOG 5/32						1	
36		10172807		FEED DOG 3/16						1	
37		10172906		FEED DOG 7/32						1	
38		10173003		FEED DOG 1/4						1	
39		10173102		FEED DOG 9/32						1	
40		10173201		FEED DOG 5/16						1	
41		10173300		FEED DOG 3/8						1	
42		10173409		FEED DOG 7/16						1	
43		10173508		FEED DOG 1/2						1	
44		10173607		FEED DOG 5/8						1	
45		10173706		FEED DOG 3/4						1	
46	D	10173805		FEED DOG 7/8						1	

FOR STITCH SPECIFICATION "S","A","G" (2)

Stitch spec. 縫仕様	S	★				★		☆				
	A	★			★							
	G		★					★				
Needle gauge size 針幅	Throat plate 針板				Feed Dog 送り歯							
Code ゲージ号			 Stitch length 縫ピッチ: 4 mm		 Stitch length 縫ピッチ: 6 mm		 φ1.6		 φ1.9		 φ2.2	
	inch	mm	Ref.No.	Part No.	Ref.No.	Part No.	Ref.No.	Part No.	Ref.No.	Part No.	Ref.No.	Part No.
▲◆ A	3/32	2.4	1	101-35002			33	101-72500				
◆ B	1/8	3.2	2	101-35101			34	B1613-512-BOB (φ1.4)		*		
◆ C	5/32	4.0	3	101-35200			35	101-72708	52	102-69209	69	102-69308
D	3/16	4.8	4	101-35309	20	101-37503	36	101-72807	53	B1613-512-D00	70	B1613-512-D0H
E	7/32	5.6	5	101-35408		*	37	101-72906	54	B1613-512-E00	71	B1613-512-E0H
F	1/4	6.4	6	101-35507	21	101-37602	38	101-73003	55	B1613-512-F00	72	B1613-512-F0H
G	9/32	7.1	7	101-35606		*	39	101-73102	56	B1613-512-G00	73	B1613-512-G0H
H	5/16	7.9	8	101-35705	22	101-37701	40	101-73201	57	B1613-512-H00	74	B1613-512-H0H
K	3/8	9.5	9	101-35804	23	101-37800	41	101-73300	58	B1613-512-K00	75	B1613-512-K0H
W	7/16	11.1	10	101-35903		*	42	101-73409	59	B1613-512-W00		*
L	1/2	12.7	11	101-36000	24	101-37909	43	101-73508	60	B1613-512-L00	76	B1613-512-L0H
M	5/8	15.9	12	101-36109	25	101-38006	44	101-73607	61	B1613-512-M00	77	B1613-512-M0H
N	3/4	19.1	13	101-36208	26	101-38105	45	101-73706	62	B1613-512-N00	78	B1613-512-N0H
P	7/8	22.2	14	101-36307	27	101-38204	46	101-73805	63	B1613-512-P00	79	B1613-512-P0H
Q	1	25.4	15	101-36406	28	101-38303	47	101-73904	64	B1613-512-Q00	80	B1613-512-Q0H
R	1-1/8	28.6	16	101-36505	29	101-38402	48	101-74001	65	B1613-512-R00	81	B1613-512-R0H
S	1-1/4	31.8	17	101-36604	30	101-38501	49	101-74100	66	B1613-512-S00	82	B1613-512-S0H
T	1-3/8	34.9	18	101-36703	31	101-38600	50	101-74209	67	B1613-512-T00	83	B1613-512-T0H
U	1-1/2	38.1	19	101-36802	32	101-38709	51	101-74308	68	B1613-512-U00	84	B1613-512-U0H

- ★ ... Standard specification
- ☆ ... Special specification
- \* ... Special order part
- ◆ ... Except stitch specification "G"
- ▲ ... Except stitch specification "S"

- 標準仕様
- 特別仕様
- 特別注文部品
- 縫仕様 "G" は除く
- 縫仕様 "S" は除く

See also p.11 for stitch specifications "A", "G"  
縫仕様 "A", "G" については11ページも併せてご参照ください。

FOR STITCH SPECIFICATION "S","A","G" (2)

No.	Supply Code	Parts No.	Replacement	Parts name	Remarks	Choice	Step	Level	Cons	Qty	Rep. QTY
47		10173904		FEED DOG 1						1	
48		10174001		FEED DOG 1-1/8						1	
49		10174100		FEED DOG 1-1/4						1	
50		10174209		FEED DOG 1-3/8						1	
51		10174308		FEED DOG 1-1/2						1	
52		10269209		FEED DOG 5/32						1	
53	D	B1613512D00		FEED DOG 3/16						1	
54		B1613512E00		FEED DOG 7/32						1	
55		B1613512F00		FEED DOG 1/4						1	
56		B1613512G00		FEED DOG 9/32						1	
57		B1613512H00		FEED DOG 5/16						1	
58		B1613512K00		FEED DOG 3/8						1	
59	D	B1613512W00		FEED DOG 7/16						1	
60	D	B1613512L00		FEED DOG 1/2						1	
61		B1613512M00		FEED DOG 5/8						1	
62	D	B1613512N00		FEED DOG 3/4						1	
63		B1613512P00		FEED DOG 7/8						1	
64		B1613512G00		FEED DOG 9/32						1	
65		B1613512R00		FEED DOG 1-1/8						1	
66	D	B1613512S00		FEED DOG 1-1/4						1	
67		B1613512T00		FEED DOG 1-3/8						1	
68		B1613512U00		FEED DOG 1-1/2						1	
69		10269308		FEED DOG 5/32						1	
70		B1613512D0H		FEED DOG 3/16						1	
71		B1613512E0H		FEED DOG 7/32						1	
72		B1613512F0H		FEED DOG 1/4						1	
73		B1613512G0H		FEED DOG 9/32						1	
74		B1613512H0H		FEED DOG 5/16						1	
75		B1613512K0H		FEED DOG 3/8						1	
76		B1613512L0H		FEED DOG 1/2						1	
77		B1613512M0H		FEED DOG 5/8						1	
78		B1613512N0H		FEED DOG 3/4						1	
79		B1613512P0H		FEED DOG 7/8						1	
80		B1613512Q0H		FEED DOG 1						1	
81		B1613512R0H		FEED DOG 1-1/8						1	
82		B1613512S0H		FEED DOG 1-1/4						1	
83		B1613512T0H		FEED DOG 1-3/8						1	
84		B1613512U0H		FEED DOG 1-1/2						1	

TABLE OF EXCHANGING GAUGE PARTS COMMON TO ALL STITCH SPECIFICATIONS

- ◆ ... Except stitch specification "G".
- ▲ ... Except stitch specification "S".
- ◇ ... Except "A", "B" type for tape attaching with stitch specification "F".(see p.12)  
Applicable needle gauge size to stitch specification  
"F" are 1/8", 3/16", 1/4", 9/32" and 5/16"

縫仕様"G"は除く  
縫仕様"S"は除く  
縫仕様"F"のテープ付け"A", "B"タイプの場合は除く。(12ページをご参照ください)  
縫仕様"F"の適用針幅は1/8", 3/16", 1/4", 9/32", 5/16"のみです。

Needle gauge size 針 幅		Needle Clamp asm. 針 留(組)		Bed Side, Left 滑り板(左)		Bed Side, Right 滑り板(右)		Bushing asm.,Front 下軸前メタル(組)		Bushing asm.,Intermediate 下軸中メタル(組)		
Code ゲージ 記 号												
	inch	mm	Ref.No.	Part No.	Ref.No.	Part No.	Ref.No.	Part No.	Ref.No.	Part No.	Ref.No.	Part No.
◆ A	3/32	2.4	1	101-47551	20	101-46009	24	101-46504	28	B1802-512-0A0-A	30	B1803-515-0A0
◆ B	1/8	3.2	2	101-47650								
◆ C	5/32	4.0	3	101-47759								
◆ D	3/16	4.8	4	101-47858								
◆ E	7/32	5.6	5	101-47957								
◆ F	1/4	6.4	6	101-48054								
◆ G	9/32	7.1	7	101-48153								
◆ H	5/16	7.9	8	101-48252								
◆ K	3/8	9.5	9	101-48351								
◆ W	7/16	11.1	10	101-48450								
◆ L	1/2	12.7	11	101-48559	21	101-46108	25	101-46603	29	B1802-512-0AB	31	101-12357
◆ M	5/8	15.9	12	101-48658								
◆ N	3/4	19.1	13	101-48757	22	101-46207	26	101-46702	23	101-46306	27	101-46801
◆ P	7/8	22.2	14	101-48856								
◆ Q	1	25.4	15	101-48955								
◆ R	1-1/8	28.6	16	101-49052	23	101-46306	27	101-46801	29	101-46306	27	101-46801
◆ S	1-1/4	31.8	17	101-49151								
◆ T	1-3/8	34.9	18	101-49250								
◆ U	1-1/2	38.1	19	101-49359								

TABLE OF EXCHANGING GAUGE PARTS COMMON TO ALL STITCH SPECIFICATIONS

No.	Supply Code	Parts No.	Replacement	Parts name	Remarks	Choice	Step	Level	Cons	Qty	Rep. QTY
1		10147551		NEEDLE CLAMP ASM. 3/32						1	
2		10147650		NEEDLE CLAMP ASM. 1/8						1	
3		10147759		NEEDLE CLAMP ASM. 5/32						1	
4		10147858		NEEDLE CLAMP ASM. 3/16						1	
5		10147957		NEEDLE CLAMP ASM. 7/32						1	
6		10148054		NEEDLE CLAMP ASM. 1/4						1	
7		10148153		NEEDLE CLAMP ASM. 9/32						1	
8		10148252		NEEDLE CLAMP ASM. 5/16						1	
9		10148351		NEEDLE CLAMP ASM. 3/8						1	
10		10148450		NEEDLE CLAMP ASM. 7/16						1	
11		10148559		NEEDLE CLAMP ASM. 1/2						1	
12		10148658		NEEDLE CLAMP ASM. 5/8						1	
13		10148757		NEEDLE CLAMP ASM. 3/4						1	
14		10148856		NEEDLE CLAMP ASM. 7/8						1	
15		10148955		NEEDLE CLAMP ASM. 1						1	
16		10149052		NEEDLE CLAMP ASM. 1-1/8						1	
17		10149151		NEEDLE CLAMP ASM. 1-1/4						1	
18		10149250		NEEDLE CLAMP ASM. 1-3/8						1	
19		10149359		NEEDLE CLAMP ASM. 1-1/2						1	
20	D	10146009		BED SLIDE, LEFT 3/32" TO 7/16						1	
21		10146108		BED SLIDE, LEFT 1/2" TO 3/4						1	
22		10146207		BED SLIDE, LEFT 7/8" TO 1-1/8						1	
23		10146306		BED SLIDE, LEFT 1-1/4" TO 1-1/2						1	
24		10146504		BED SLIDE, RIGHT 3/32" TO 7/16						1	
25		10146603		BED SLIDE, RIGHT 1/2" TO 3/4						1	
26		10146702		BED SLIDE, RIGHT 7/8" TO 1-1/8						1	
27		10146801		BED SLIDE, RIGHT 1-1/4" TO 1-1/2						1	
28		B18025120A0A		BUSHING ASM., FRONT						1	
29		B18025120AB		BUSHING ASM., FRONT						1	
30		B18035150A0		BUSHING ASM., INTERMEDIATE						1	
31		10112357		BUSHING ASM. INTERMEDIATE						1	



FOR STITCH SPECIFICATION "F"

★...Standard specification      標準仕様  
 \*...Special order part      特別注文部品

Standard type 標準タイプ		★ common to stitch spec. "S" 縫仕様"S"と共通						★				★		
Tape attaching,A type テープ付けAタイプ				★				★				★		
Tape attaching,B type テープ付けBタイプ						★				★		★		
Needle gauge size 針幅		Throat Plate 針板						Feed Dog 送り歯				Presser Foot asm. 押さえ		
Code ゲージ 記号														
	inch	mm	Ref.No.	Part No.	Ref.No.	Part No.	Ref.No.	Part No.	Ref.No.	Part No.	Ref.No.	Part No.	Ref.No.	Part No.
B	1/8	3.2	1	101-35101	6	101-85304	12	101-85601	15	B1613-512-B0B	20	101-86302	23	101-85957
D	3/16	4.8	2	101-35309	7	101-85403	13	101-85700	16	B1613-512-D0B	21	101-86401	24	101-86054
F	1/4	6.4	3	101-35507		*		*	17	B1613-512-F0B		*		*
G	9/32	7.1	4	101-35606	11	101-85502	14	101-85809	18	B1613-512-G0B	22	101-86500	25	101-86153
H	5/16	7.9	5	101-35705		*		*	19	B1613-512-H0B		*		*

Note(注記)

All types of Needle Clamp asm.,Bushing asm.,Front,Bushing asm.,Intermediate, and Standard types of Bed Slide Left, Bed Slide Right,are common to stitch specification "S". (See p.25)

全タイプの針留、下軸前メタル(組)、下軸中メタル(組)及び標準タイプの滑り板(組)、滑り板(左)、(右)は縫仕様"S"と共通です。(25ページをご参照ください)  
 See p.12 for the common parts to stitch specification "F".  
 縫仕様"F"共通部品については12ページをご参照下さい。

FOR STITCH SPECIFICATION“F

No.	Supply Code	Parts No.	Replacement	Parts name	Remarks	Choice	Step	Level	Cons	Qty	Rep. QTY
1	D	10135101		THROAT PLATE 1/8						1	
2	D	10135309		THROAT PLATE 3/16						1	
3	D	10135507		THROAT PLATE 1/4						1	
4		10135606		THROAT PLATE 9/32						1	
5	D	10135705		THROAT PLATE 5/16						1	
6	D	10185304		THROAT PLATE 1/8						1	
7		10185403		THROAT PLATE 3/16						1	
8		10185502		THROAT PLATE 9/32						1	
9		10185601		THROAT PLATE 1/8						1	
10		10185700		THROAT PLATE 3/16						1	
11		10185809		THROAT PLATE 9/32						1	
12		B1613512B0B		FEED DOG 1/8						1	
13		B1613512D0B		FEED DOG 3/16						1	
14		B1613512F0B		FEED DOG 1/4						1	
15		B1613512G0B		FEED DOG 9/32						1	
16		B1613512H0B		FEED DOG 5/16						1	
17	D	10186302		FEED DOG 1/8						1	
18		10186401		FEED DOG 3/16						1	
19	D	10186500		FEED DOG 9/32						1	
20	D	10185957		PRESSER FOOT ASM. 1/8						1	
21		10186054		PRESSER FOOT ASM. 3/16						1	
22	D	10186153		PRESSER FOOT ASM. 9/32						1	

LIST FOR INFORMATION OF CHANGE

As to the place changed, refer to the corresponding Rev.No.  
 When previous parts(Obsoleted part)and new parts(Added parts)are  
 not interchangeable with each other:  
 In this case, even obsoleted parts(D.)can be ordered with the  
 obsoleted part number, so select the parts with changed dates and  
 place your orders.

変更箇所は、該当Rev.No.版をご参照ください。  
 部品の互換性がない変更の場合は、削除された品番でも、ご注文できます。

BE115250PJA  
 No.0128-09 Rev.No.

\*A:Added parts追加部品/D:Obsoleted parts削除部品/E:Erratum訂正

*	Rev. No.	Page 頁	Ref. No.	Parts No. 品番	*	Rev. No.	Page 頁	Ref. No.	Parts No. 品番
	D 08	16	20	B3140-527-000		A 09	16	20	226-17609
	D 08	16	21	SS-8080410-TP		A 09	16	21	226-18904
	D 08	16	22	SS-8080610-SP		A 09	16	22	226-18904
	D 08	17	7	101-61503		A 09	17	7	109-58759
	D 08	20	1	101-62758		A 09	20	1	269-10158

## HOW TO MAKE USE OF THIS PARTS LIST

### 1.Explanation of codes

1)"\*"mark.....means this part is changed from the previous parts book.

As to the details of the change, refer to the "List for information of change".

2)"#01".....refer to "Note" explanation at bottom of page.

### 2.Codes on the "Qty" column

- Each numeral indicates the number of parts required.
- "0.1" and "2.5" indicate the length (in meters) of the respective parts.

3.Parentheses mean that the corresponding part is a subpart that constructs an assembly part.

4.Dotted lines on the Figures indicate assembly parts.

### 1."注記"欄の記号説明

1) "\*"印.....前回のパーツブックに比較して今回変更された部品を意味します。

変更内容は、"変更情報リスト"を参照してください。

2) "#01".....ページ下の"注記"の説明を参照してください。

2.数量欄の数字は、個数を表し、0.1、2.5等の数値は、長さ（単位メートル）を表します。

3.数量欄の（ ）は、組部品を構成している子部品であることを意味します。

4.イラストページの-----枠は、組構成であることを意味します。

# NUMERICAL INDEX OF PARTS

PART NO	PAGE	REF NO.	PART NO	PAGE	REF NO.	PART NO	PAGE	REF NO.
10039105	32	10	10109007	12	41	10128007	32	6
10039105	34	7	10109106	12	50	10128007	34	4
10100659	4	44	10109205	12	40	10128056	32	1
10100758	2	16	10109809	12	38	10128064	34	1
10100808	2	15	10109908	10	28	10128106	32	3
10100907	2	2	10110104	10	18	10128106	34	2-23
10101004	2	4	10110153	10	17	10135002	42	1
10101103	2	24	10110203	10	20	10135101	42	2
10101202	2	33	10110252	10	19	10135101	48	1
10101301	2	29	10110401	10	21	10135200	42	3
10101400	2	22	10110500	10	22	10135309	4	41
10101509	2	20	10110609	10	23	10135309	42	4
10102507	6	20	10111805	10	27	10135309	48	2
10102655	6	10	10112050	10	6	10135408	42	5
10102705	6	6	10112357	46	31	10135507	42	6
10102853	6	1	10112407	12	29	10135507	48	3
10103000	6	21	10121069	8	44	10135606	42	7
10103109	6	25	10121309	8	46	10135606	48	4
10103257	6	27	10121408	8	51	10135705	42	8
10103406	6	32	10121556	8	48	10135705	48	5
10104602	6	37	10121606	8	58	10135804	42	9
10104701	6	7	10121705	6	33	10135903	42	10
10104859	6	38	10121952	8	64	10136000	42	11
10105575	20	37	10122109	8	59	10136109	42	12
10105609	18	3	10122257	8	69	10136208	42	13
10106003	16	43	10123305	18	17	10136307	42	14
10106102	8	62	10123453	30	1	10136406	42	15
10106102	16	48	10124055	30	5	10136505	42	16
10106201	16	60	10124501	30	4	10136604	42	17
10106300	14	27	10124758	22	1	10136703	42	18
10106458	16	62	10124758	24	1	10136802	42	19
10106557	16	56	10124766	30	2	10137503	42	20
10106656	16	64	10124774	22	5	10137602	42	21
10106805	16	54	10125003	18	6	10137701	42	22
10106904	14	3	10125102	18	19	10137800	42	23
10107001	14	2	10125201	18	20	10137909	42	24
10107159	14	5	10125557	26	5	10138006	42	25
10107209	14	25	10125755	26	2	10138105	42	26
10107357	22	7	10125904	26	19	10138204	42	27
10107506	14	8	10126001	26	18	10138303	42	28
10107753	16	37	10126555	26	43	10138402	42	29
10108009	14	11	10126654	26	41	10138501	42	30
10108512	10	1	10126803	26	40	10138600	42	31
10108611	10	11	10126902	26	14	10138709	42	32
10108751	10	13	10127009	26	13	10146009	4	39

## NUMERICAL INDEX OF PARTS

PART NO	PAGE	REF NO.	PART NO	PAGE	REF NO.	PART NO	PAGE	REF NO.
10146009	46	20	10151652	38	17	10172500	42	33
10146108	46	21	10151750	38	19	10172708	42	35
10146207	46	22	10151751	38	18	10172807	42	36
10146306	46	23	10152650	38	20	10172906	42	37
10146504	4	42	10152759	18	32	10173003	42	38
10146504	46	24	10152759	38	21	10173102	42	39
10146603	46	25	10152858	38	22	10173201	42	40
10146702	46	26	10152957	38	23	10173300	42	41
10146801	46	27	10153054	38	24	10173409	42	42
10147551	46	1	10153153	38	25	10173508	42	43
10147650	46	2	10153252	38	26	10173607	42	44
10147759	46	3	10153351	38	27	10173706	42	45
10147858	6	40	10153450	38	28	10173805	42	46
10147858	46	4	10153559	38	29	10173904	44	47
10147957	46	5	10153658	38	30	10174001	44	48
10148054	46	6	10153757	38	31	10174100	44	49
10148153	46	7	10153856	38	32	10174209	44	50
10148252	46	8	10153955	38	33	10174308	44	51
10148351	46	9	10154052	38	34	10178754	18	28
10148450	46	10	10154150	38	36	10179208	8	61
10148559	46	11	10154151	38	35	10179307	12	49
10148658	46	12	10155059	40	50	10185056	24	8
10148757	46	13	10155158	40	51	10185106	24	7
10148856	46	14	10156552	38	38	10185205	24	6
10148955	46	15	10156651	38	37	10185304	48	6
10149052	46	16	10156750	38	39	10185403	48	7
10149151	46	17	10156859	38	40	10185502	48	8
10149250	46	18	10156958	38	41	10185601	48	9
10149359	46	19	10157055	38	42	10185700	48	10
10150050	38	1	10157154	38	43	10185809	48	11
10150159	38	2	10157253	38	44	10185957	48	20
10150258	38	3	10157352	38	45	10186054	48	21
10150357	38	4	10157451	38	46	10186153	48	22
10150456	38	5	10157550	40	47	10186302	48	17
10150555	38	6	10157658	40	49	10186401	48	18
10150654	38	7	10157659	40	48	10186500	48	19
10150753	38	8	10160851	2	17	10188001	22	9
10150852	38	9	10161057	6	28	10188902	6	19
10150951	38	10	10161156	22	8	10197655	12	51
10151058	38	11	10161552	32	2·23	10269209	44	52
10151157	38	12	10162204	28	2	10269308	44	69
10151256	38	13	10162253	28	1	10419307	32	4
10151355	38	14	10162402	28	25	10419307	34	2·23
10151454	38	15	10162501	28	24	10602902	2	3
10151553	38	16	10162600	28	3	10623403	26	25

# NUMERICAL INDEX OF PARTS

PART NO	PAGE	REF NO.	PART NO	PAGE	REF NO.	PART NO	PAGE	REF NO.
10741759	2	5	22934301	28	21	B1613512G0H	44	73
10958759	32	7	22934400	28	19	B1613512H00	44	57
11007101	18	7	22934509	28	17	B1613512H0B	48	16
11024015	28	7	22934608	28	18	B1613512H0H	44	74
11024106	28	8	26910158	36	1	B1613512K00	44	58
11024205	28	11	B1111563000	2	37	B1613512K0H	44	75
11024304	28	23	B1114051000	2	10	B1613512L00	44	60
11047107	28	4	B1123552000A	2	26	B1613512L0H	44	76
11071602	20	38	B1123552A00	2	27	B1613512M00	44	61
11071701	18	24	B1132512000	2	34	B1613512M0H	44	77
11071800	18	34	B1147555000	14	19	B1613512N00	44	62
11072204	30	14	B1212552A00	6	13	B1613512N0H	44	78
11077567	32	13	B12135520A0A	6	16	B1613512P00	44	63
11078003	32	22	B1214019000	6	24	B1613512P0H	44	79
11078102	32	20	B1214038000	26	9	B1613512Q0H	44	80
11078102	34	17	B1412352A00	8	56	B1613512R00	44	65
11078250	32	14	B1414555000	6	9	B1613512R0H	44	81
22602601	4	43	B1501581000	18	27	B1613512S00	44	66
22617609	30	20	B1505227T00A	24	3	B1613512S0H	44	82
22618904	30	22	B1509555000	18	22	B1613512T00	44	67
22619001	26	27	B1511555000	18	23	B1613512T0H	44	83
22621056	34	11	B1513280000	14	7	B1613512U00	44	68
22621106	34	19	B1515415000	18	9	B1613512U0H	44	84
22621155	34	10	B1517415000	18	1	B1613512W00	44	59
22904155	6	22	B1521555000	18	33	B16234700A0	14	20
22904155	16	50	B1522180000	18	11	B16234700AA	14	21
22907109	18	30	B1523226000	18	5	B1624380000	14	14
22907406	18	26	B1531415000	18	10	B162438000A	14	15
22907703	18	25	B1603512000	16	46	B1633470000	16	66
22912109	14	18	B1604012000A	16	41	B1634470000	14	17
22925101	26	1	B1610484000	14	28	B1636581B00	14	32
22930309	36	7	B1610512000	14	34	B1637432000	14	31
22930408	36	5	B1613512B0B	42	34	B1649161000	14	23
22930507	36	2	B1613512B0B	48	12	B1652470000	16	55
22930556	36	20	B1613512D00	16	36	B18025120A0A	10	2
22930705	36	3	B1613512D00	44	53	B18025120A0A	46	28
22930804	36	11	B1613512D0B	48	13	B18025120AB	46	29
22930903	36	10	B1613512D0H	44	70	B18035150A0	10	10
22931000	36	9	B1613512E00	44	54	B18035150A0	46	30
22931109	36	8	B1613512E0H	44	71	B18165120A0	10	4
22931307	36	6	B1613512F00	44	55	B1818051B00	12	48
22931406	36	4	B1613512F0B	48	14	B1820563000	12	31
22932453	28	10	B1613512F0H	44	72	B1821051000	12	33
22934202	28	20	B1613512G00	44	64	B1822051000	12	34
22934251	28	16	B1613512G0B	48	15	B1823051000	12	37

NUMERICAL INDEX OF PARTS

PART NO	PAGE	REF NO.	PART NO	PAGE	REF NO.	PART NO	PAGE	REF NO.
B1834512000A	26	35	B8228125000	28	15	RO195240100	26	16
B18405120A0	10	8	B9117051000	10	24	RO437200200	6	30
B1850512000	26	30	BP300000000	26	39	SB120000100	6	29
B1851512000	26	29	CM300200001	4	49·50	SB120000200	10	14
B1860512000	12	43	CM3002000B1	4	49·50	SB30953010C	12	39
B1903552000	6	8	CM300200101	4	47·48	SD0470281SP	30	7
B19045520A0	6	2	CM3002001A1	4	47·48	SD0490261SP	32	2·23
B1905541B00	6	5	CQ200000000	8	60	SD0490261SP	34	20
B2906415000	8	57	CQ202000000	12	36	SD0600322SD	18	21
B29074150A0	6	35	CQ252000000	16	52	SD0630275SP	18	12
B2913412N00	8	50	CQ303000000	16	61	SD0630301SP	18	8
B2915415000	8	52	CQ3500000F0	6	3	SD0640231SP	18	16
B3120125000	30	13	CS102121ASH	14	9	SD0720331SP	18	18
B3125012000	30	27	CS1470710SH	12	52	SD0900701TP	8	68
B3125012000	32	18	D3129555D00	22	2	SD0900701TP	14	58
B3125012000	34	15	D3129555D00	24	2	SD0900701TP	16	58
B3125527000	30	26	MC200500650	22	4	SD0900702TP	14	4
B3126012000	32	16	MC200500650	24	5	SK3482500SC	32	11
B3126012000	34	13	MC200500900	8	43	SK3482500SC	34	8
B3126051000	30	10	MC200501300	22	11	SM0081001SD	28	5
B3127051000	30	9	MDP500B1400	6	42	SM4051405SE	36	13
B3127527000	30	8	MDP500B2100	22	10	SM6061610SC	36	12
B3128051000	30	3	MSG19060900	22	3	SM7082550SP	12	46
B3128527000	30	19	MSG19650900	24	4	SM8050502TP	16	42
B3129012A00	30	12	NM6050001SE	36	18	SM8063012TR	28	13
B3129012B00	32	17	NM6060001SE	28	12	SM9061203SE	28	22
B3129012B00	34	14	NM6160511SE	36	17	SM9061853SR	28	14
B3129526000	22	6	NS6080210SP	16	44	SQ1110401MZ	26	21
B3132051000	30	11	NS6090310SP	26	32	SQ1150451MZ	26	11
B3134521000	30	6	NS6110310SP	26	44	SS2080810SP	2	25
B3135415000	18	15	NS6110420SP	12	35	SS2090710SP	2	23
B31375270A0	30	16	NS6110420SP	14	24	SS2110920TP	4	40
B3138512000	2	31	NS6110420SP	26	34	SS2110930SP	14	30
B3138527000	30	23	NS6620310SP	2	11	SS2110930SP	26	28
B3139527000	30	18	NS6680320SP	8	71	SS3130710SP	4	45
B3141527000	30	25	NS6680410SP	8	67	SS4110515SP	32	19
B3142527000	30	17	NS6680410SP	16	63	SS4110515SP	34	16
B3143527000	30	15	RE0500711KP	16	40	SS5090610SP	2	30
B3211555000	32	21	RE0600000K0	18	4	SS6060410TP	8	54
B3211555000	34	18	RE1000000K0	28	9	SS6081810SP	16	45
B3431581000	18	2	RO029180100	6	17	SS6090660TP	8	55
B3524552000	26	6	RO037180100	20	35	SS6090810SP	10	25
B3530555000	26	15	RO044240100	6	14	SS6110610TP	10	16
B3534155000	26	8	RO074240100	14	16	SS6110710TP	14	1
B3538112000	26	23	RO098240100	28	6	SS6111610SP	26	26



## NUMERICAL INDEX OF PARTS

PART NO	PAGE	REF NO.	PART NO	PAGE	REF NO.
SS6121050SP	14	22	SS8151150SP	6	63
SS6121220TP	6	36	SS8151150SP	8	63
SS6121610TP	8	70	SS8151150SP	10	12
SS6121610TP	14	57	SS8151550SP	6	31
SS6121610TP	16	57	SS8151550SP	12	47
SS6153040SP	12	30	SS8152030SP	10	3
SS6580752TP	14	35	SS8660530TP	10	7
SS6661110SP	6	26	SS8660610TP	6	23
SS6661110SP	14	29	SS8660610TP	10	15
SS7060610SP	12	44	SS8660610TP	14	51
SS7080520SP	18	13	SS8660610TP	16	51
SS7081310SP	32	24	SS8660610TP	18	29
SS7081310SP	34	21	SS8660810TP	10	5
SS7090520SP	2	32	SS8660810TP	14	12
SS7090520SP	30	24	SS8661040TP	14	13
SS7090910SP	6	47	SS8681130SP	16	49
SS7090910SP	8	47	SS8681950SP	6	12
SS7090910SP	26	31	SS9111820SP	12	42
SS7090910TP	18	31	SS9151440CP	16	39
SS7110340SP	26	42	SS9661120CP	6	11
SS7110510SP	2	38	TA0550604R0	2	8
SS7110510SP	16	65	TA0750404R0	2	36
SS7110510SP	32	5	TA0750704R0	2	12
SS7110510SP	34	3	TA1050604R0	2	35
SS7110710SP	2	6	TA1250406R0	2	19
SS7110710SP	26	24	TA1250504R0	2	9
SS7110710SP	30	28	TA2050406R0	4	46
SS7110840SP	32	15	TA2100904R0	2	14
SS7110840SP	34	12	TA2351004R0	2	7
SS7110910SP	2	1	WP0250516SD	8	53
SS7110910SP	14	53	WP0330500MB	18	14
SS7110910SP	16	53	WP0371016SD	10	26
SS7111120SP	2	18	WP0480856SP	32	25
SS7111310TP	16	47	WP0480856SP	34	22
SS7111410SP	26	45	WP0501016SC	32	12
SS7111810SP	26	17	WP0501016SC	34	9
SS7150740SP	32	9	WP0621016SD	16	38
SS7150740SP	34	6	WP0621016SD	32	8
SS7681650TP	6	15	WP0621016SD	34	5
SS8080660TP	6	41	WP0740516SP	8	66
SS8110320SP	24	9	WP0740516SP	20	36
SS8110410TP	12	53	WP0850002SP	12	45
SS8110510SP	8	45	WP1612616SE	36	15
SS8150510TP	6	34	WS0510002KN	36	19
SS8150510TP	10	9	WS1643202KR	36	16