

ROBUST 95

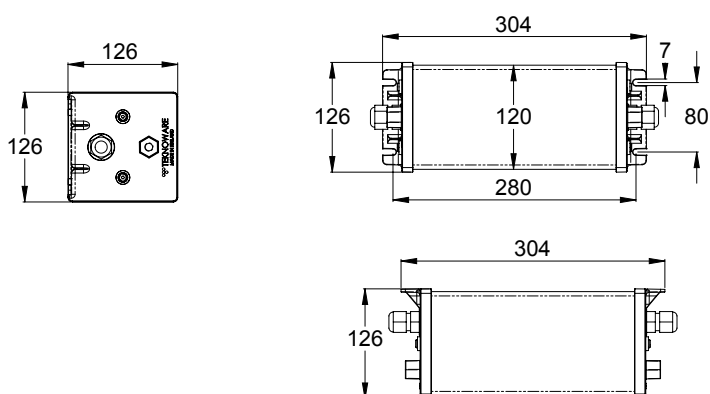
IP67 LED EMERGENCY LIGHT FOR SURFACE MOUNTING TO THE WALL



Robust 95 is a LED emergency light for surface mounting to the wall. It has an especially robust design and a metal body.

With their high IP class and a very rugged construction, the luminaires are suitable for demanding environments, such as damp locations, industry and tunnels.

DIMENSIONS



- ⊕ = Protection class of luminaire is 1
- ⊕ = Protection class of luminaire is 2
- ⊕ = Protection class of luminaire is 3
- ⊕ = Luminaire is suitable for through-wiring
- IP 20 = Protection rating
- White = Colour of the body
- 3000 = Viewing distance
- LED = LED as a light source
- Aalto = Aalto Control compatible (incl. Lumi Test)
- M = Self-contained luminaire with Lumi test self-testing
- Escap = Self-contained luminaire with 1 h super capacitor backup
- C = Compatible with Tapsa Control Central Battery Unit and Local Controller
- 850 = compliant with the 850 glow wire test
- IC = Compatible with Intelligent Controller
- CBS = Centrally supplied

CENTRALLY SUPPLIED LUMINAIRES

230V CENTRALLY SUPPLIED EMERGENCY LIGHTS

Product code	Nominal supply voltage	Max input power	Luminous flux (lm)	Operation mode	Temperature range	Electrical installation	Weight (kg)
TWT9551W	220-240 V AC/DC	11,5 VA / 6,9 W	160	CBS	-30... +50°C	3 x 2,5 mm ² -o- ⊕	1,3

ADDRESSABLE 230 V CENTRALLY SUPPLIED EMERGENCY LIGHTS



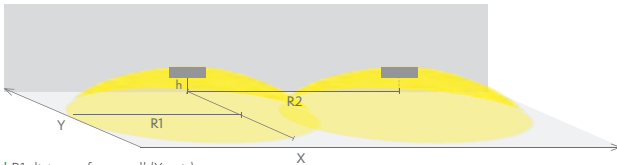
Product code	Nominal supply voltage	Max input power	Luminous flux (lm)	Operation mode	Temperature range	Electrical installation	Weight (kg)
TWT9551WK	220-240 V AC/DC	10 VA / 5,5 W	160	CBS + C	-30... +50°C	3 x 2,5 mm ² -o- ⊕	1,3

LIGHT DISTRIBUTION TABLES

Emergency lighting for escape routes (ceiling mounting)

Table of 1 lux for escape routes in the middle line according to the norm EN 1838.

Level of measurement 0,02 m, measurement result with battery operation.



R1 distance from wall (X axis)

R2 installation distance between lights (X axis)

TWT9551W

Mounting height (m)	Below the light (lux)	R1 (m)	R2 (m)
		1 lux	1 lux
0,625	100	3,5	8